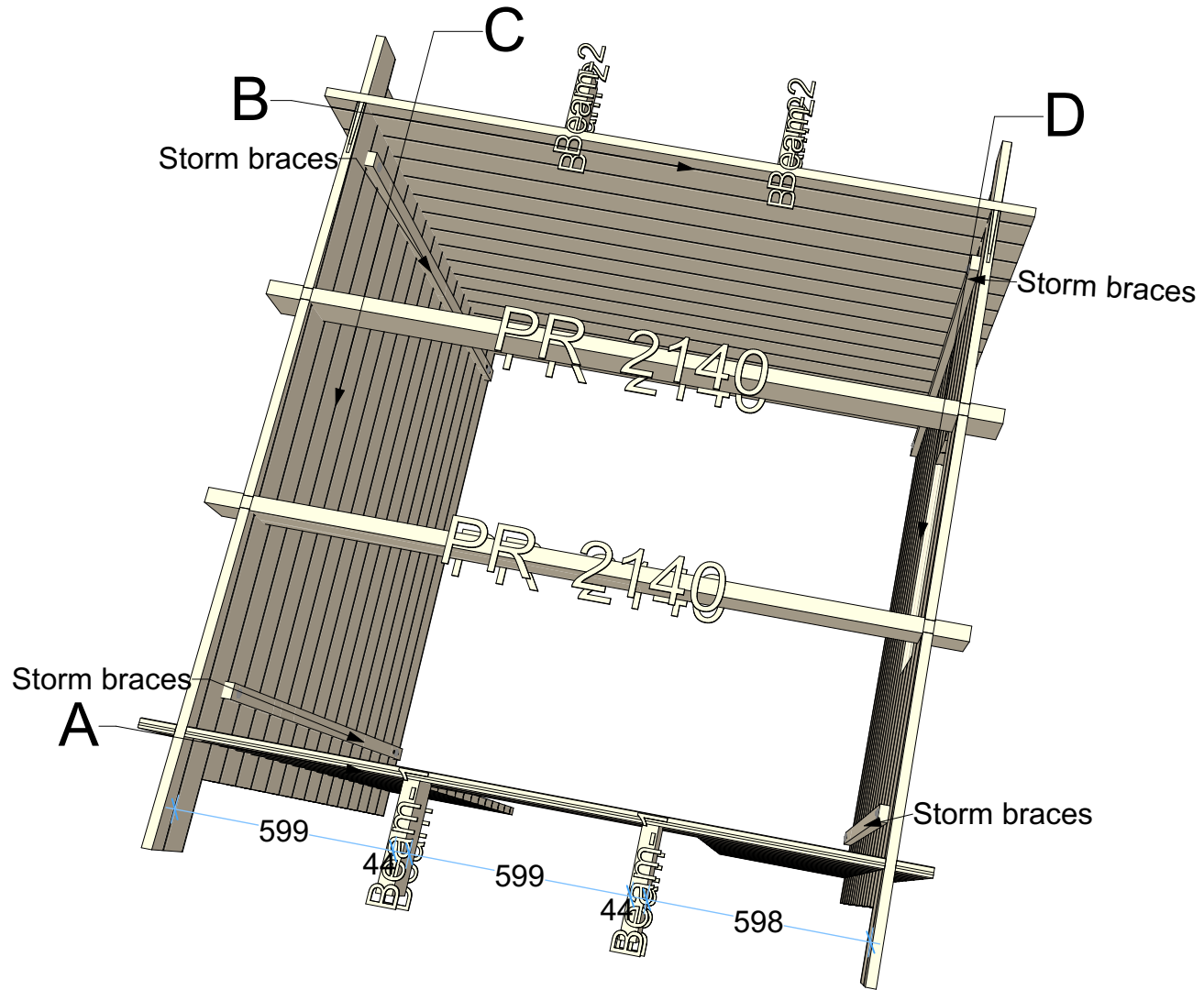




28 Madrid 2,14x2,15

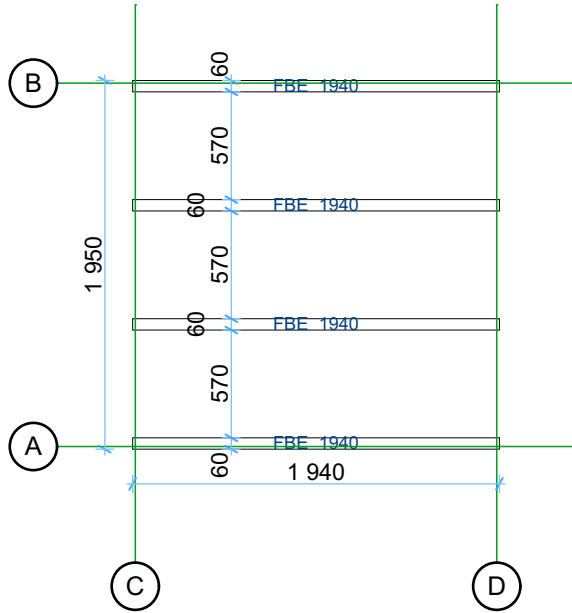
Walls and purlins positions



Thickness:	Project name:	Project ID:	Year:	Page:
28	Madrid	2,14x2,15	2023	2

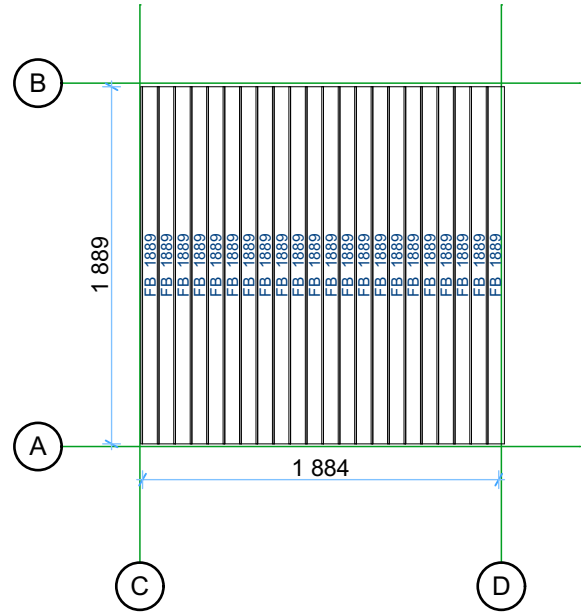
Floor bearers

1:40



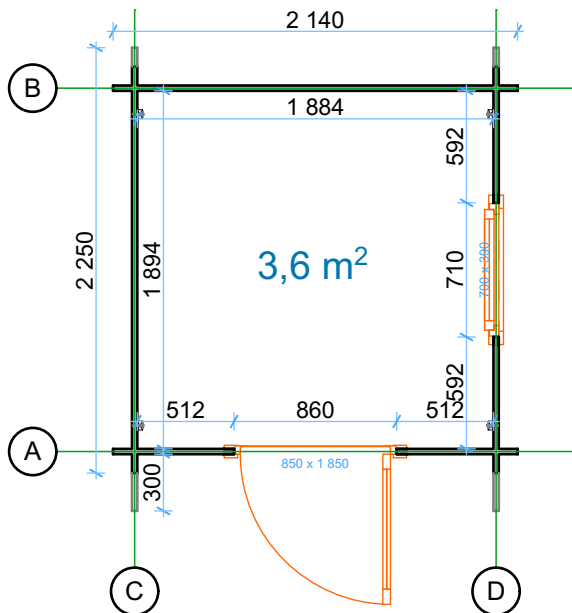
Floor boards

1:40



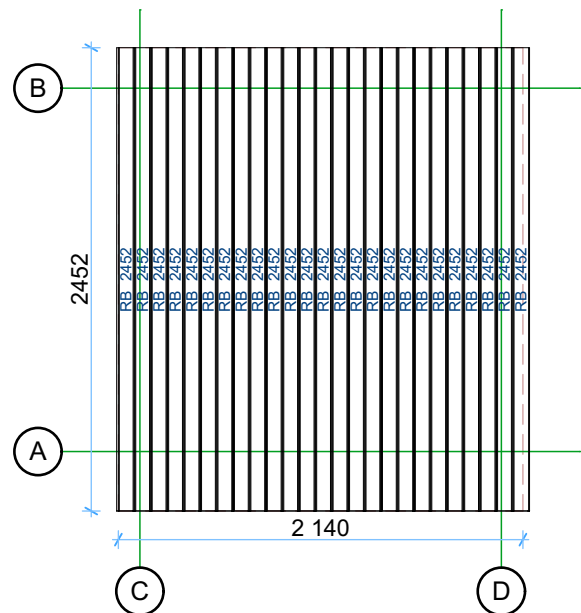
Ground floor plan

1:40



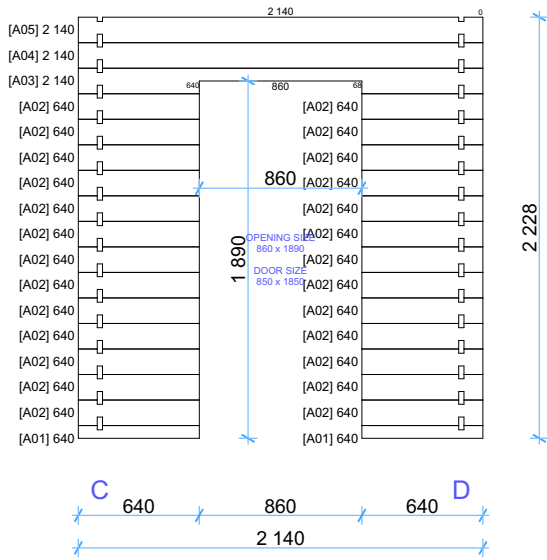
Roof boards

1:40



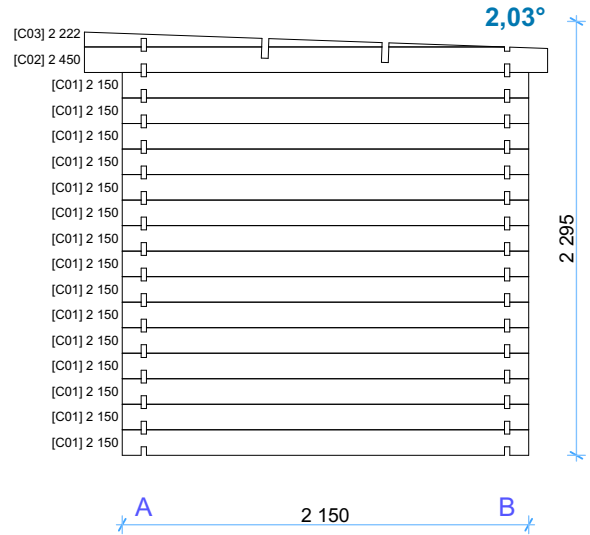
Wall A

1:40



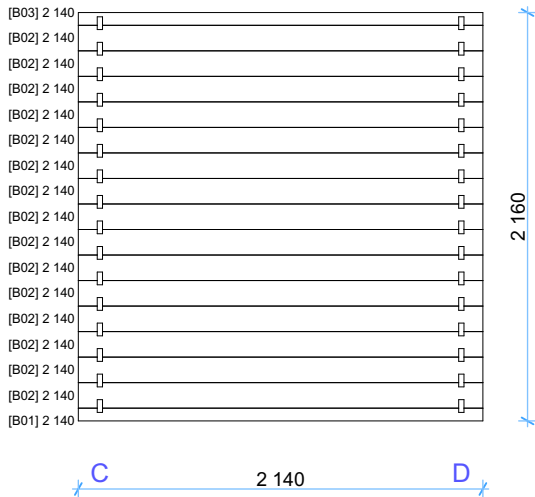
Wall C

1:40



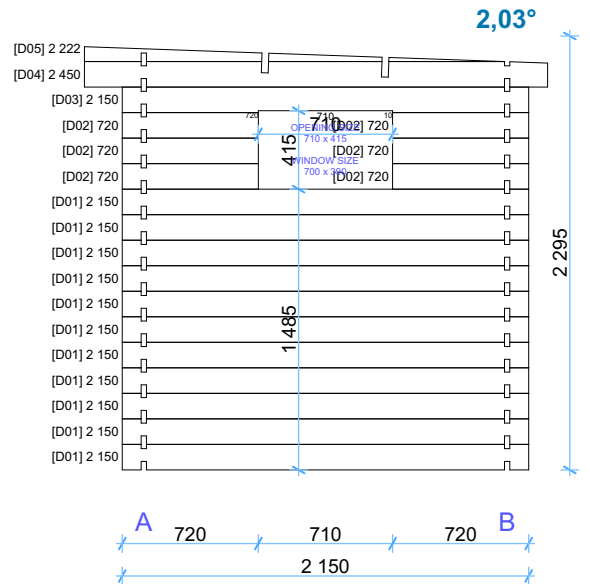
Wall B

1:40

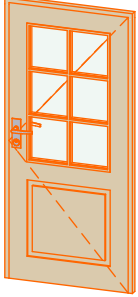


Wall D

1:40



Windows and doors list

Type-quality	Barcode	Wall Thickness	W x H Size	Orientation	Glazing	Quantity	3D Axonometry
Door - Economy	S18585-2	28	850×1 850	R	50% glass, single glazed	1	
Window - Economy	S3970	28	700×390		Single glazed	1	