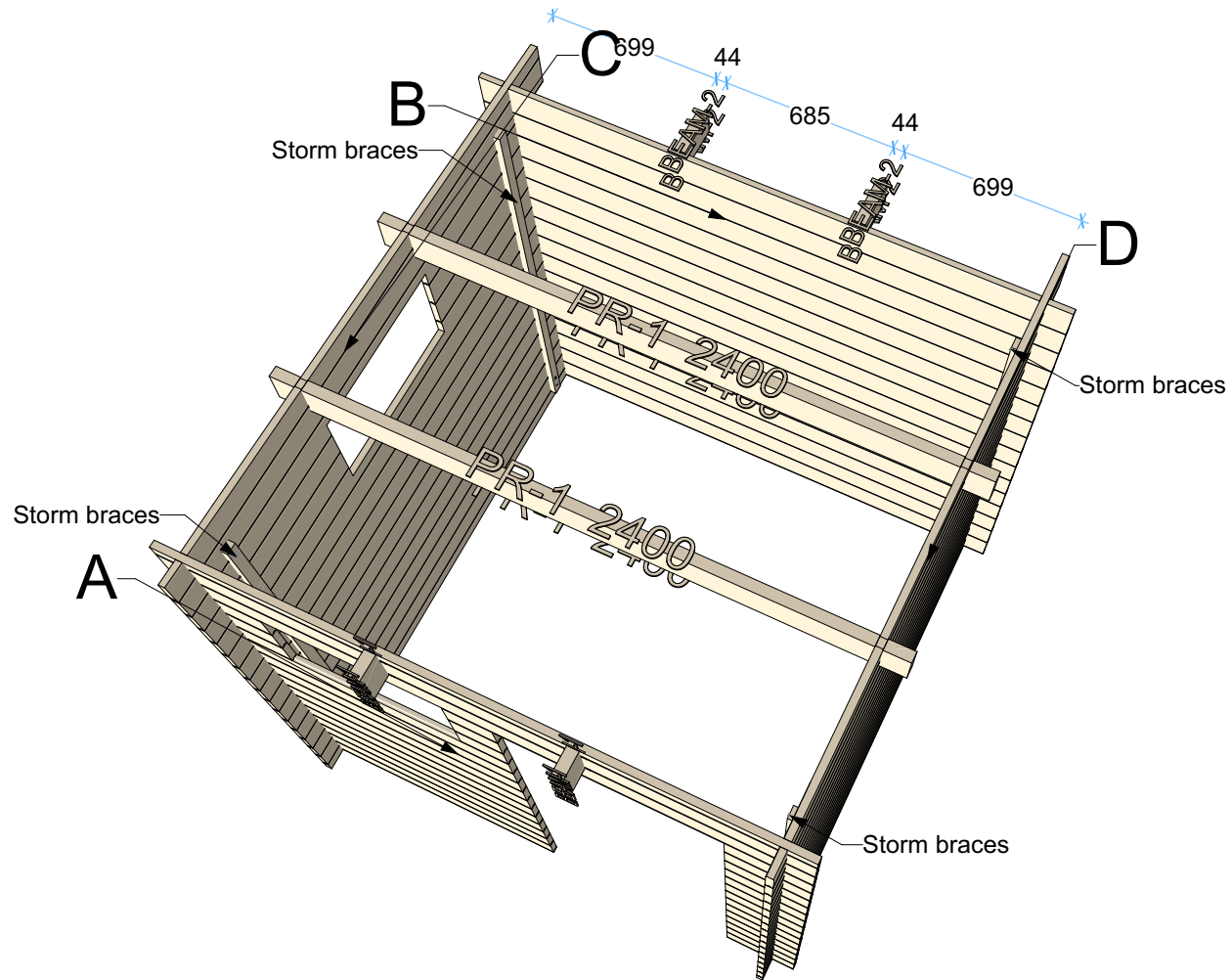




28 Lulu-2 2,4x2,4

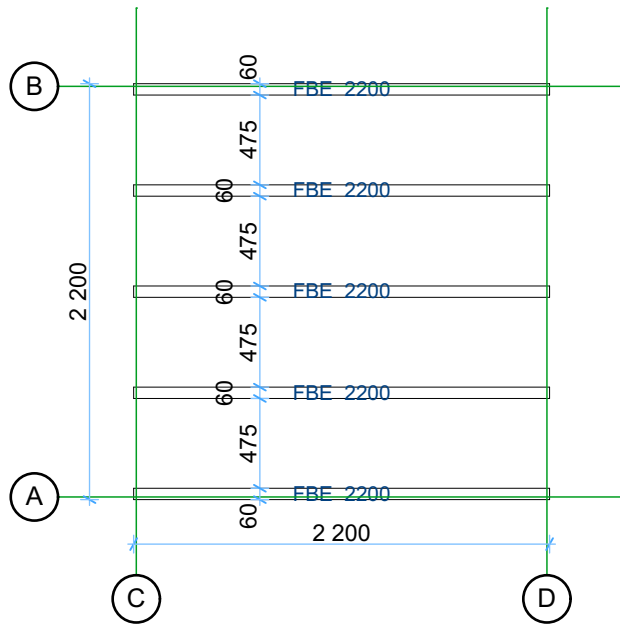
Walls and purlins positions



Thickness:	Project name:	Project ID:	Year:	Page:
28	Lulu-2	2,4x2,4	2024	2

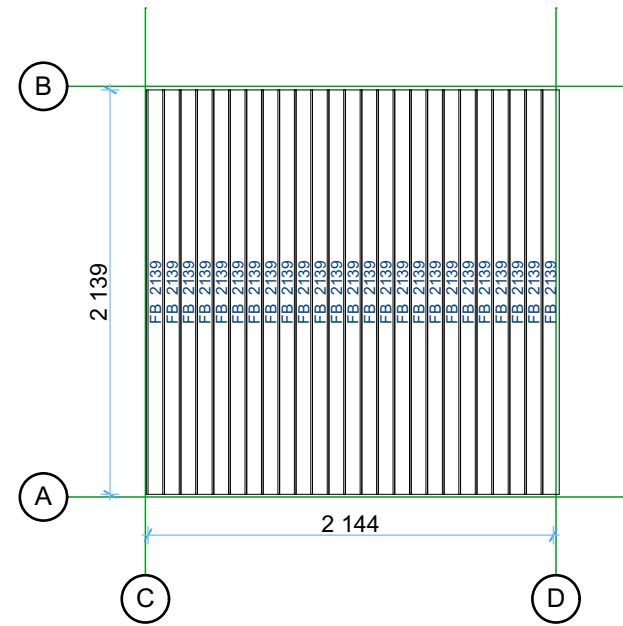
Floor bearers

1:40



Floor boards

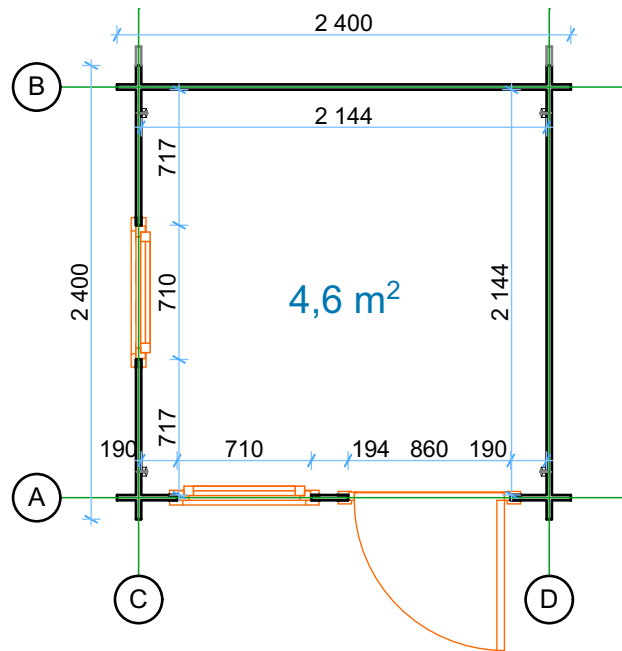
1:40



Thickness:	Project name:	Project ID:	Year:	Page:
28	Lulu-2	2,4x2,4	2024	3

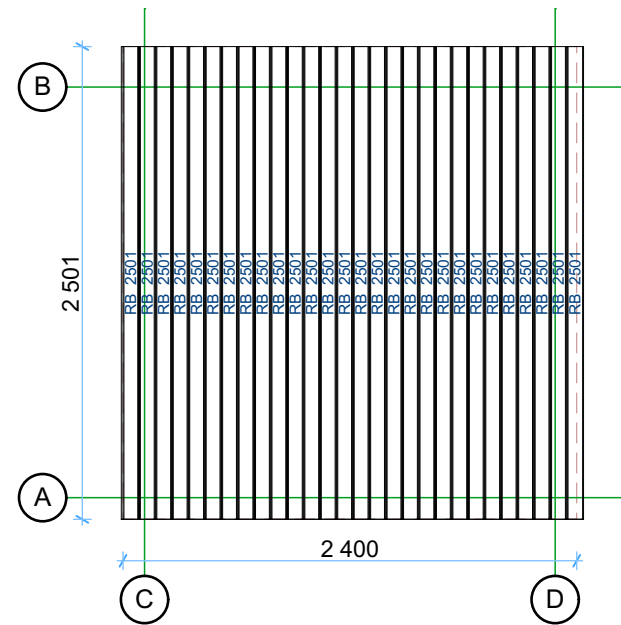
Ground floor plan

1:40

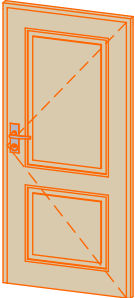
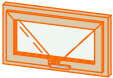


Roof boards

1:40



Thickness:	Project name:	Project ID:	Year:	Page:
28	Lulu-2	2,4x2,4	2024	4

Windows and doors list							
Type-quality	Barcode	Wall Thickness	W x H Size	Orientation	Glazing	Quantity	3D Axonometry
Door - Economy	18585-1	28	850×1 850	R	Full wood	1	
Window - Economy	S3970	28	700×390		Single glazed	2	

Thickness:	Project name:	Project ID:	Year:	Page:
28	Lulu-2	2,4x2,4	2024	6