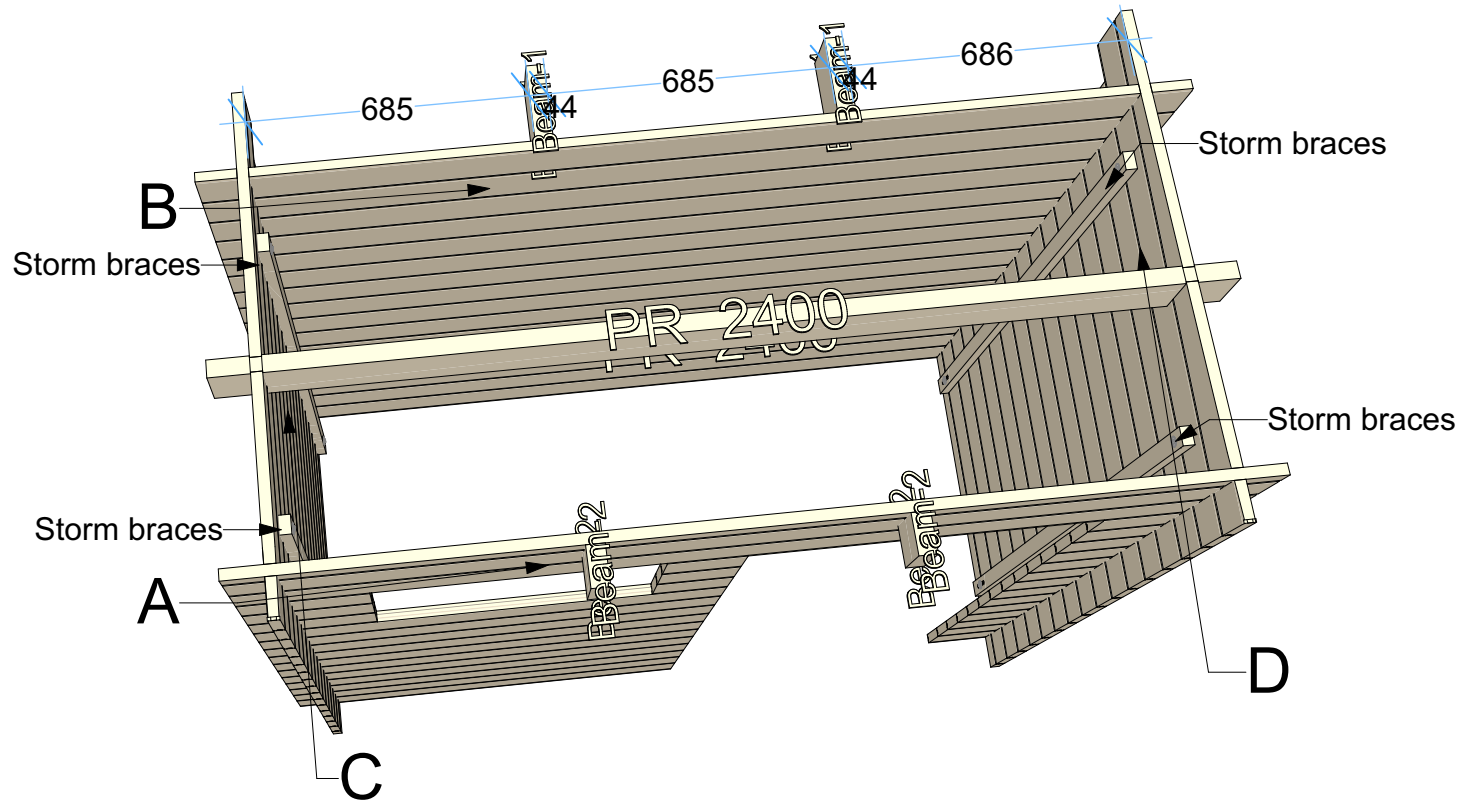




28 Lulu-1 2,4x1,2

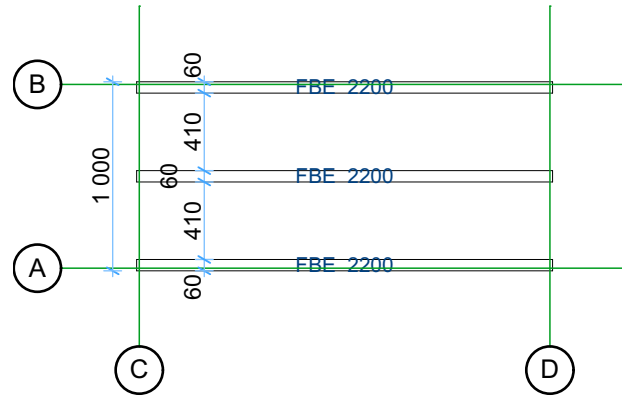
Walls and purlins positions



Thickness:	Project name:	Project ID:	Year:	Page:
28	Lulu-1	2,4x1,2	2023	2

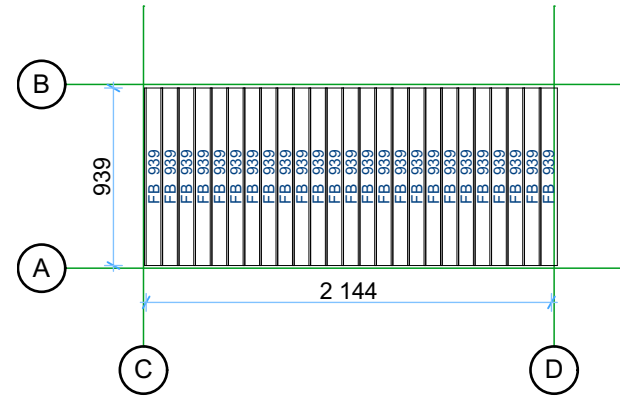
Floor bearers

1:40



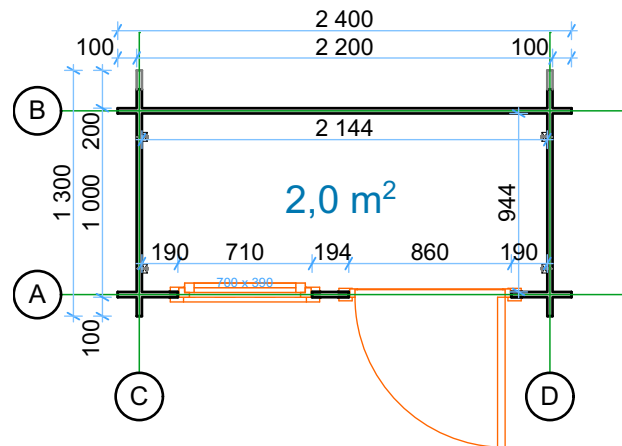
Floor boards

1:40



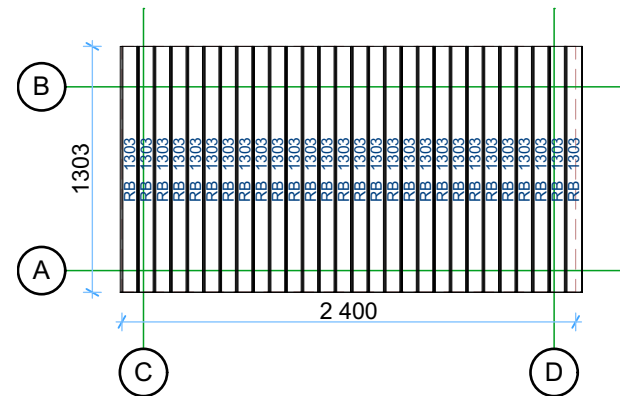
Ground floor plan

1:40



Roof boards

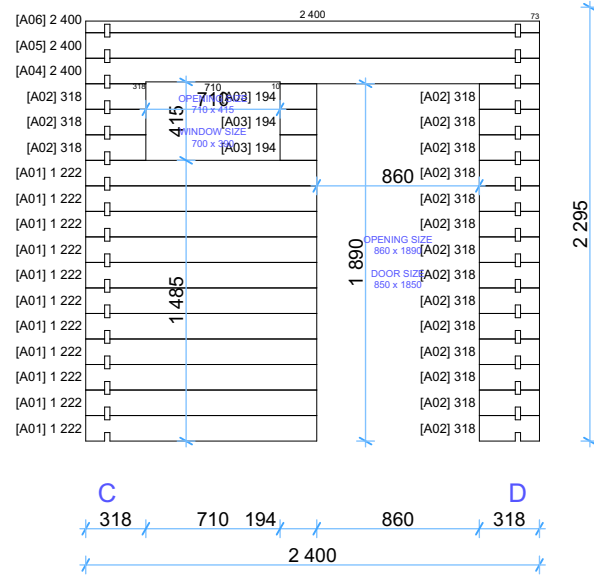
1:40



Thickness:	Project name:	Project ID:	Year:	Page:
28	Lulu-1	2,4x1,2	2023	3

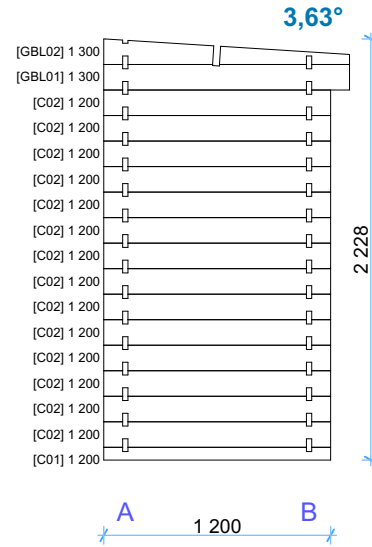
Wall A

1:40



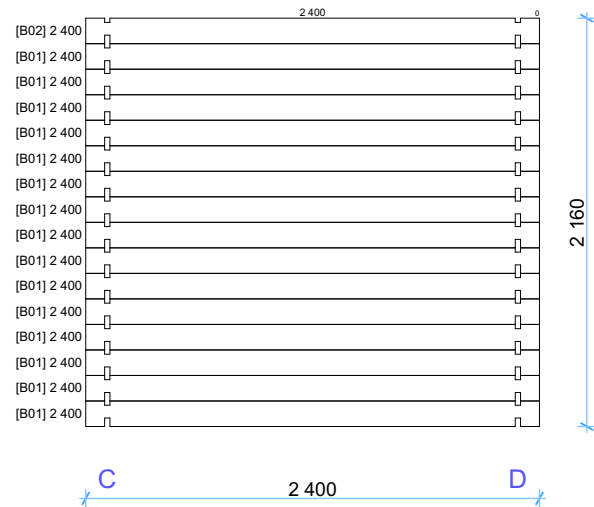
Wall C

1:40



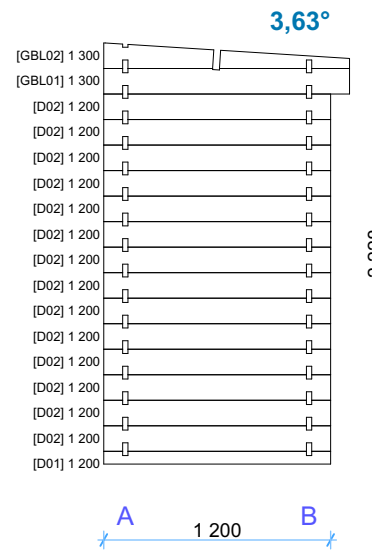
Wall B

1:40

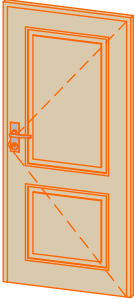
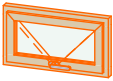


Wall D

1:40



Thickness:	Project name:	Project ID:	Year:	Page:
28	Lulu-1	2,4x1,2	2023	4

Windows and doors list							
Type-quality	Barcode	Wall Thickness	W x H Size	Orientation	Glazing	Quantity	3D Axonometry
Door - Economy	18585-1	28	850x1 850	R	Full wood	1	
Window - Economy	S3970	28	700x390		Single glazed	1	

Thickness:	Project name:	Project ID:	Year:	Page:
28	Lulu-1	2,4x1,2	2023	5