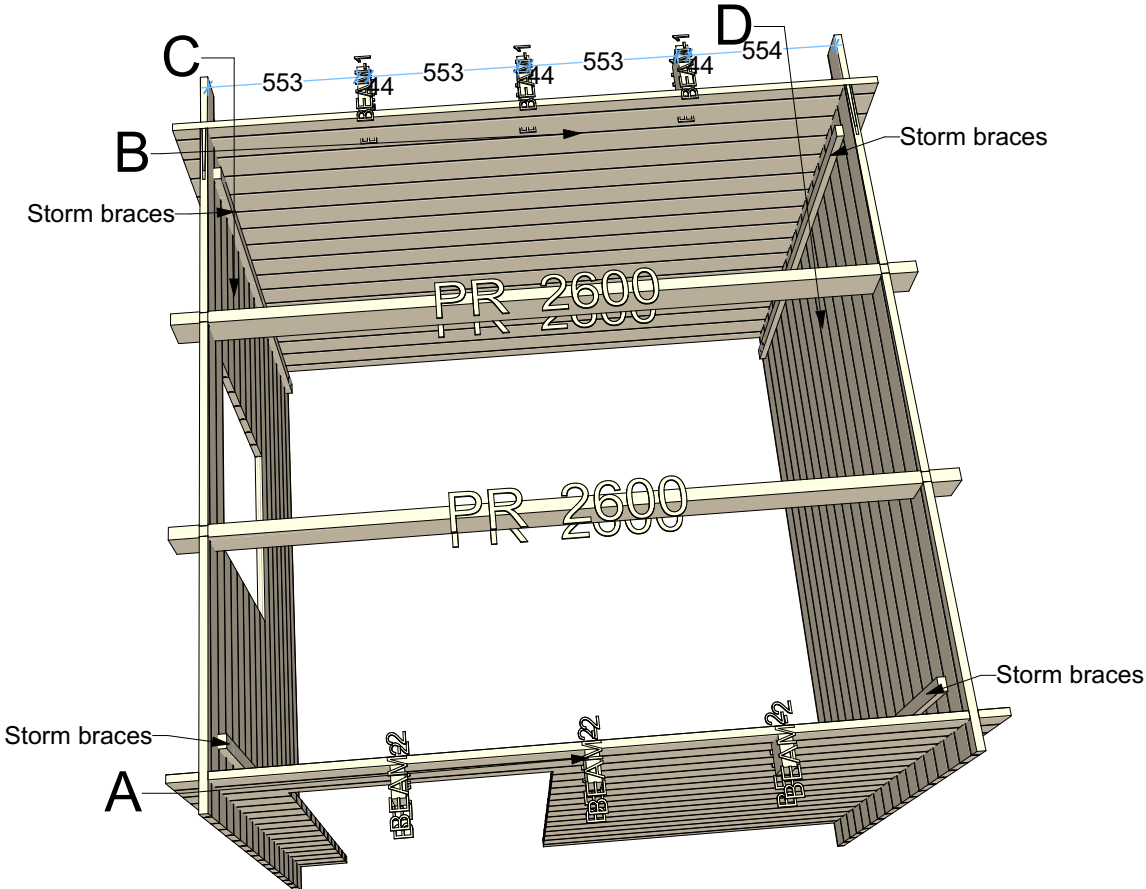




28 Dalas 2,6x2,6

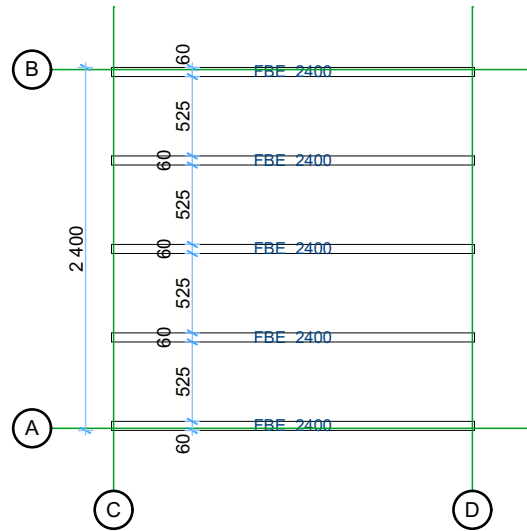
Walls and purlins positions



Thickness:	Project name:	Project ID:	Year:	Page:
28	Dalas	2,6x2,6	2023	2

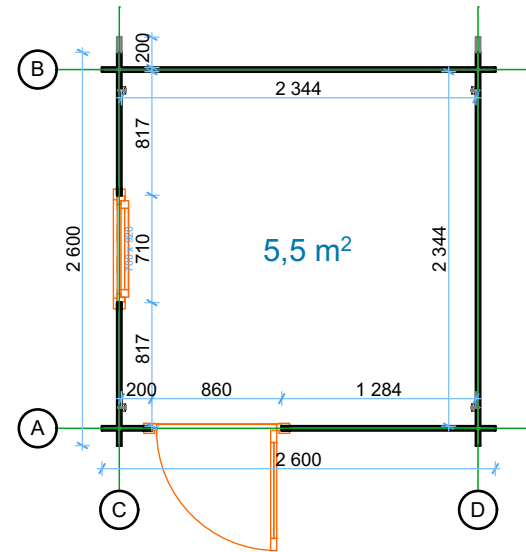
Floor bearers

1:50



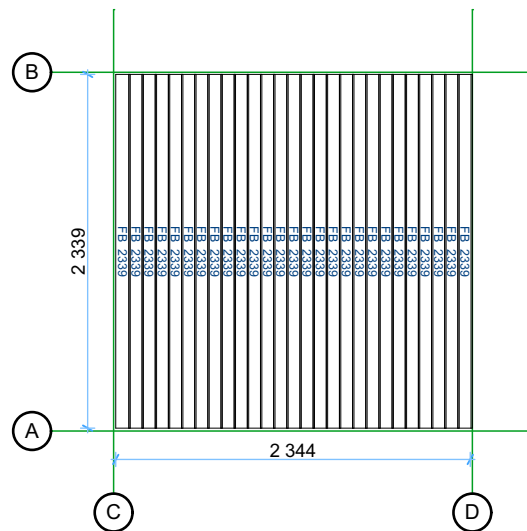
Ground floor plan

1:50



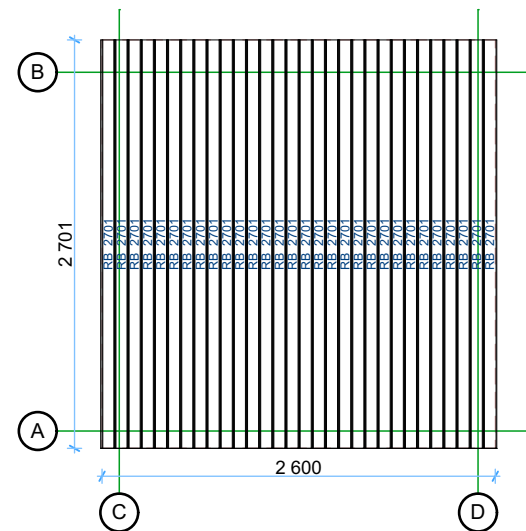
Floor boards

1:50



Roof boards

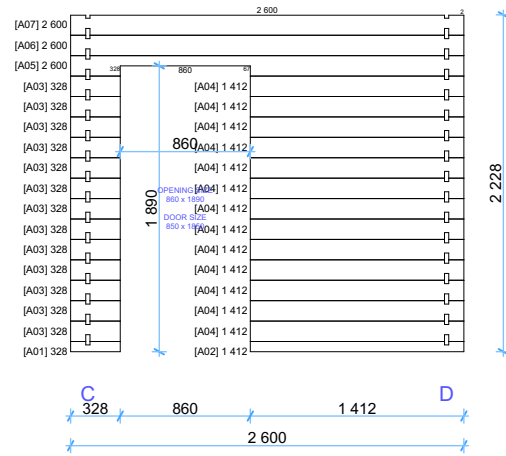
1:50



Thickness:	Project name:	Project ID:	Year:	Page:
28	Dalas	2,6x2,6	2023	3

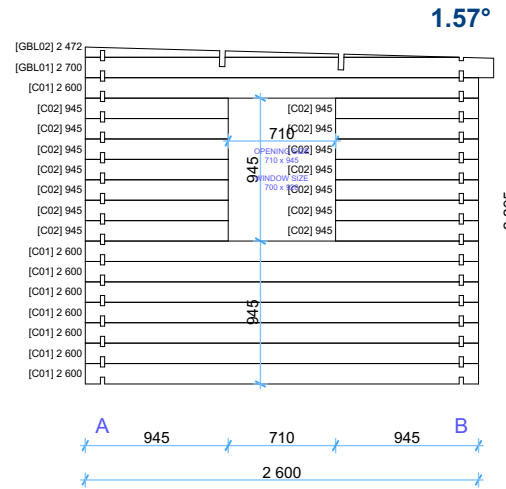
Wall A

1:50



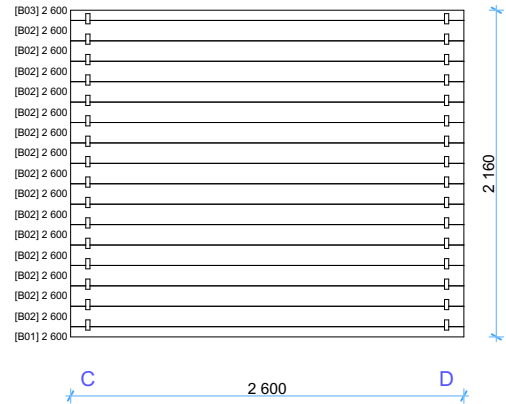
Wall C

1:50



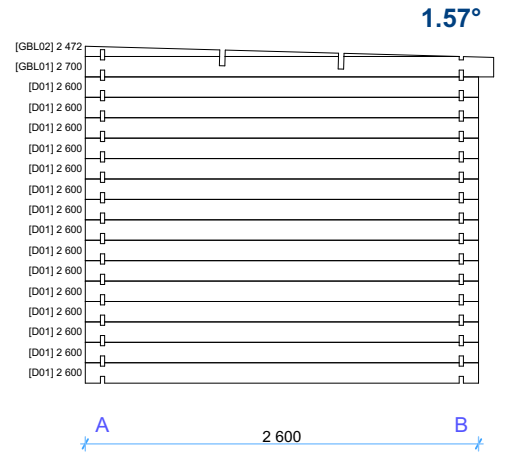
Wall B

1:50


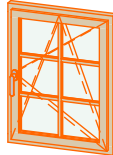


Wall D

1:50



Thickness:	Project name:	Project ID:	Year:	Page:
28	Dalاس	2,6x2,6	2023	4

Windows and doors list							
Type-quality	Barcode	Wall Thickness	W x H Size	Orientation	Glazing	Quantity	3D Axonometry
Door - Economy	S18585-2	28	850×1 850	R	50% glass, single glazed	1	
Window - Economy	S9270	28	700×920	R	Single glazed	1	

Thickness:	Project name:	Project ID:	Year:	Page:
28	Dalás	2,6x2,6	2023	5