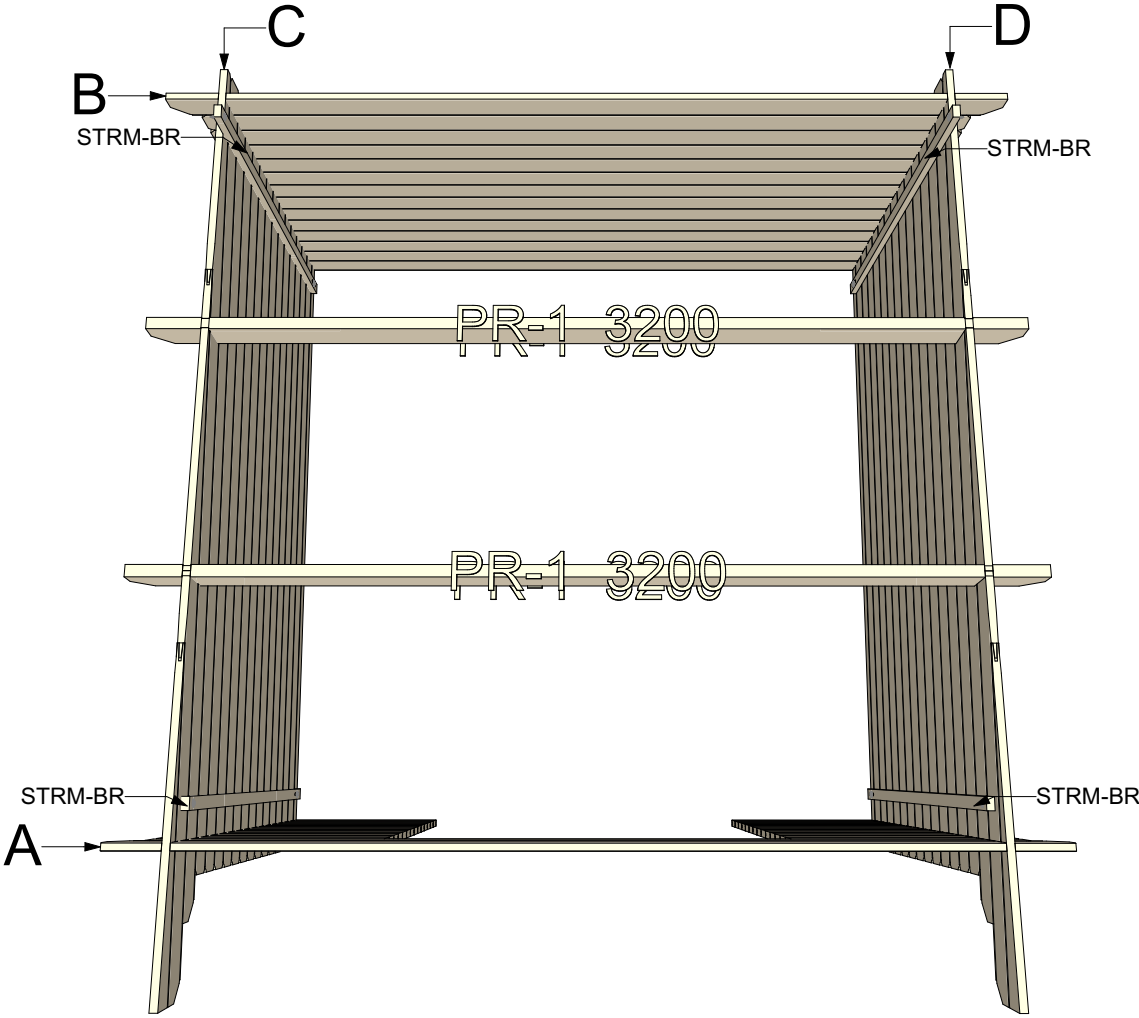




28 Edith 3x3

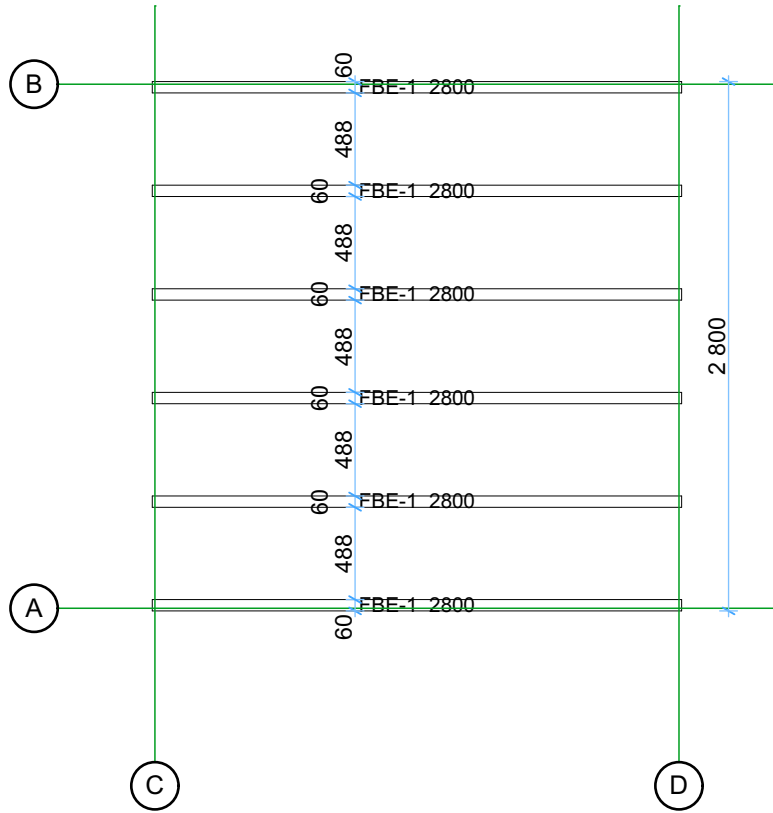
Walls and purlins positions



Thickness:	Project name:	Project ID:	Year:	Page:
28	Edith	3x3	2024	2

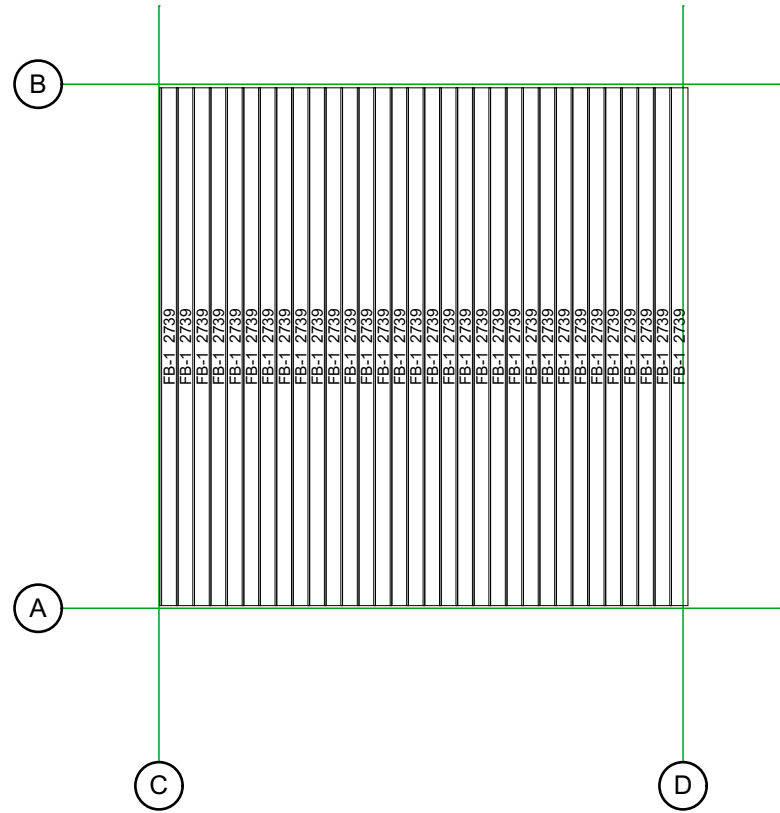
Floor bearers

1:40



Floor boards

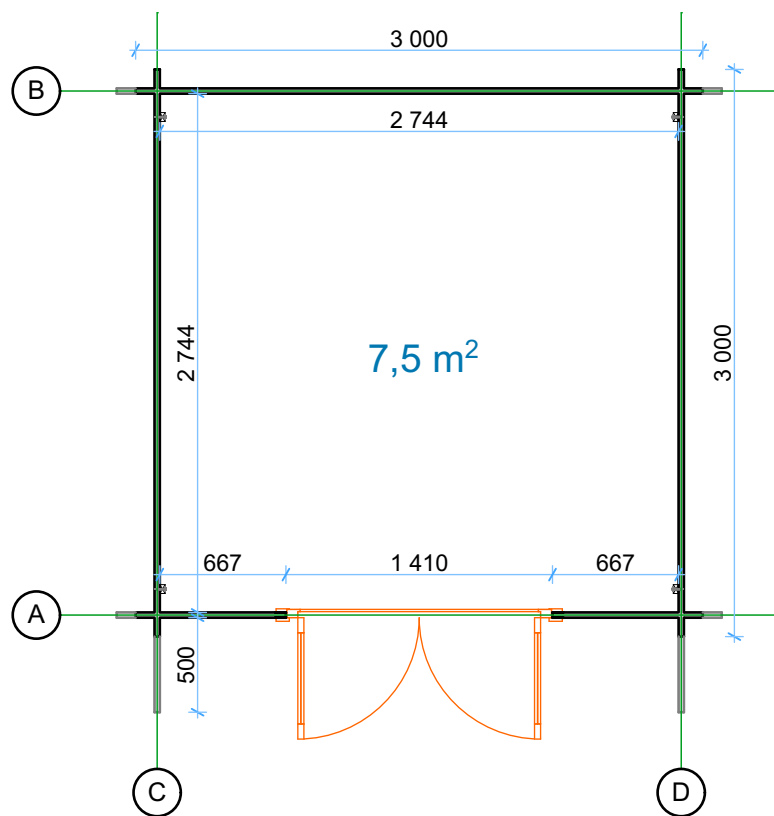
1:40



Thickness:	Project name:	Project ID:	Year:	Page:
28	Edith	3x3	2024	3

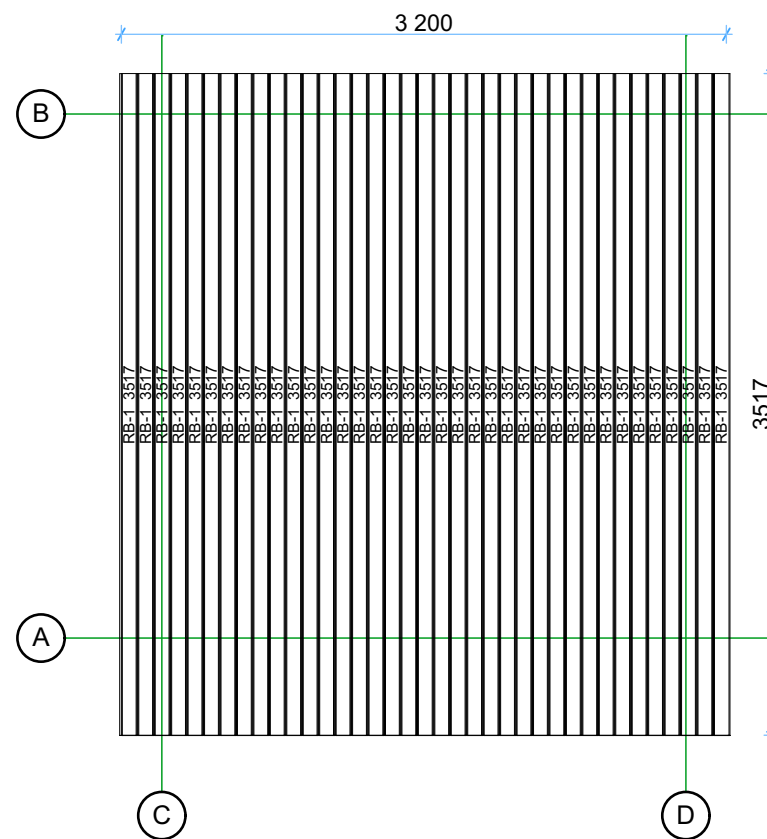
Ground floor plan

1:40



Roof boards

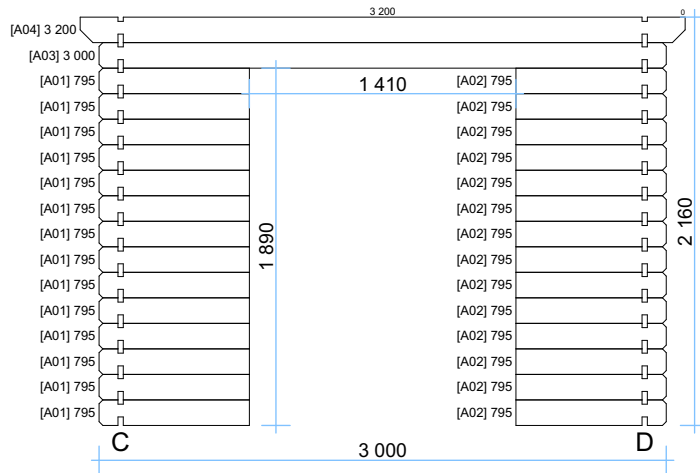
1:40



Thickness:	Project name:	Project ID:	Year:	Page:
28	Edith	3x3	2024	4

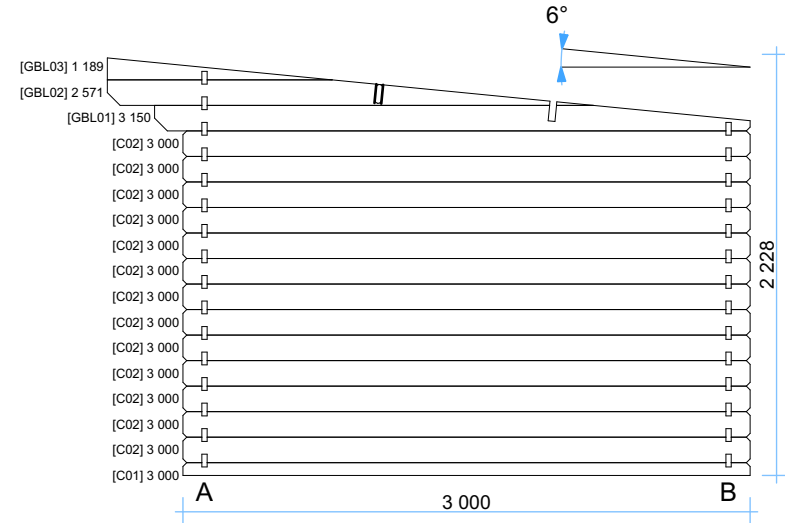
Wall A

1:40



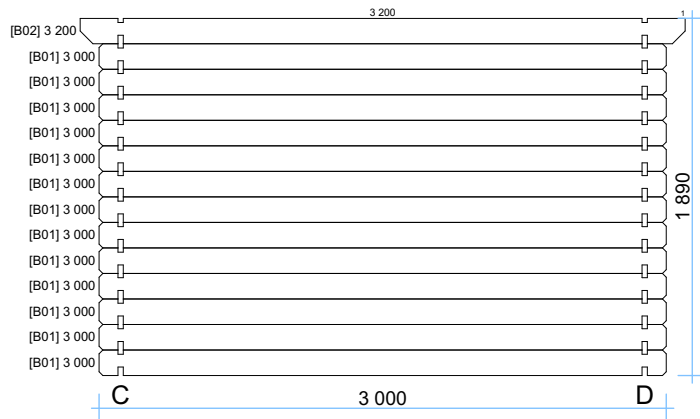
Wall C

1:40



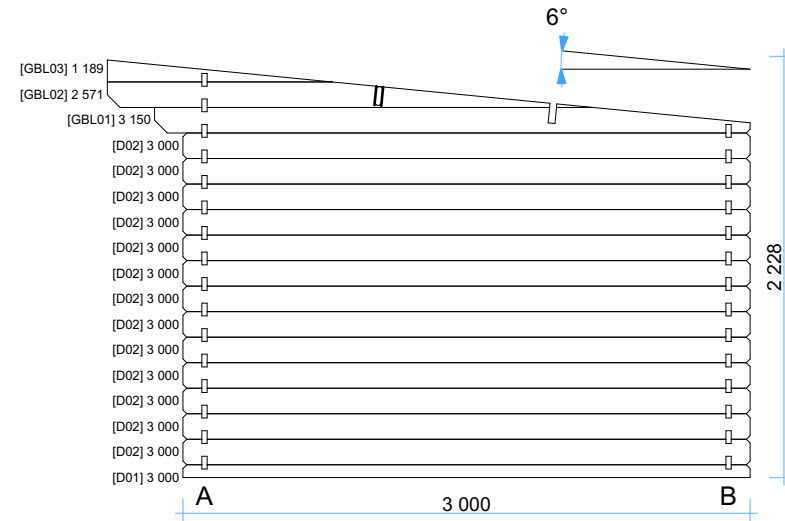
Wall B

1:40

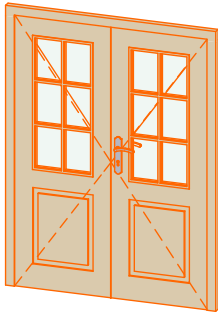


Wall D

1:40



Thickness:	Project name:	Project ID:	Year:	Page:
28	Edith	3x3	2024	5

Windows and doors list							
Barcode	Type-quality	Wall Thickness	W x H Size	Orientation	Glazing	Quantity	3D Axonometry
185140-2	Door - Economy	28	1 400×1 850	R	50% glass, single glazed	1	

Thickness:	Project name:	Project ID:	Year:	Page:
28	Edith	3x3	2024	6