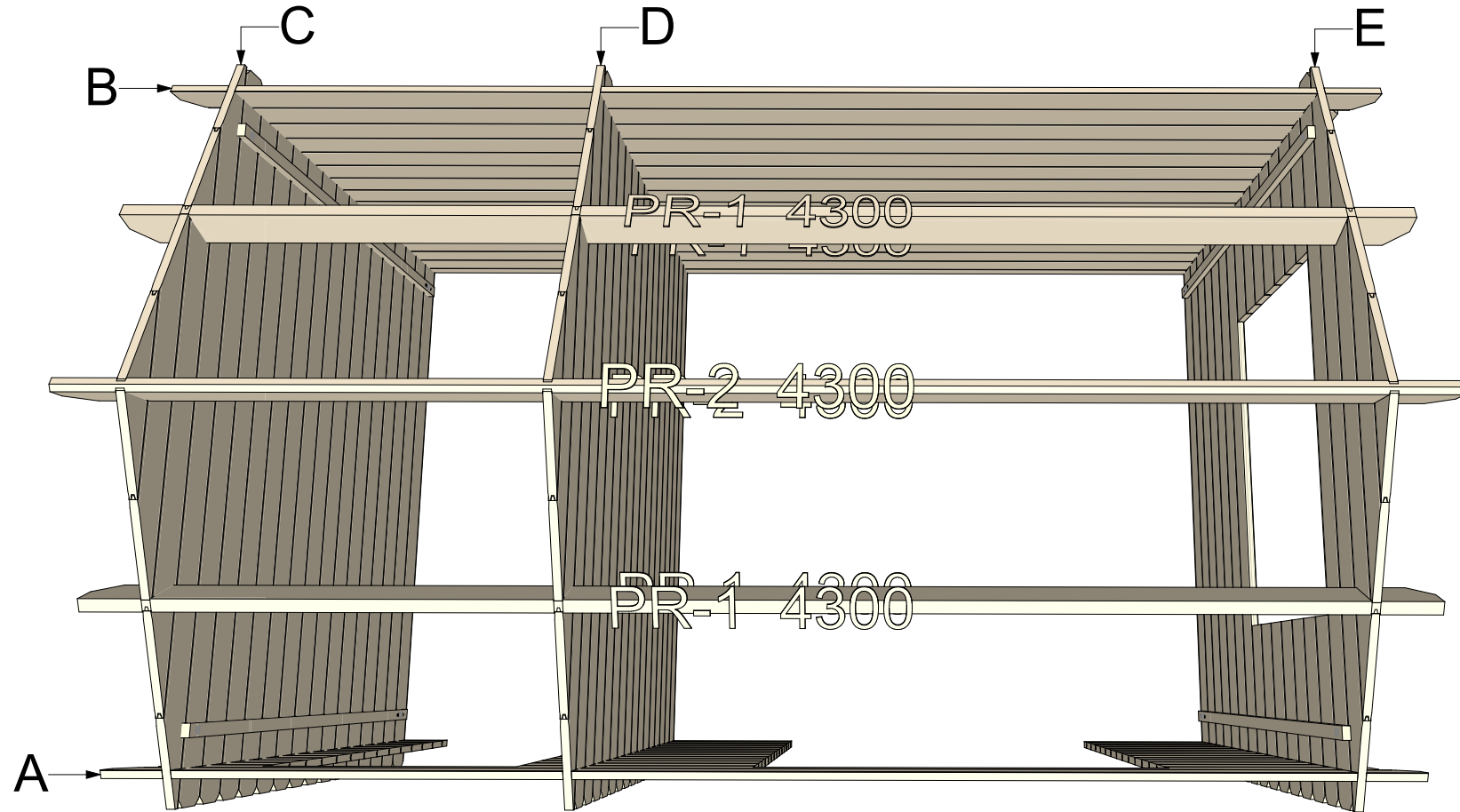




**28 Megy 2,6x4,1**

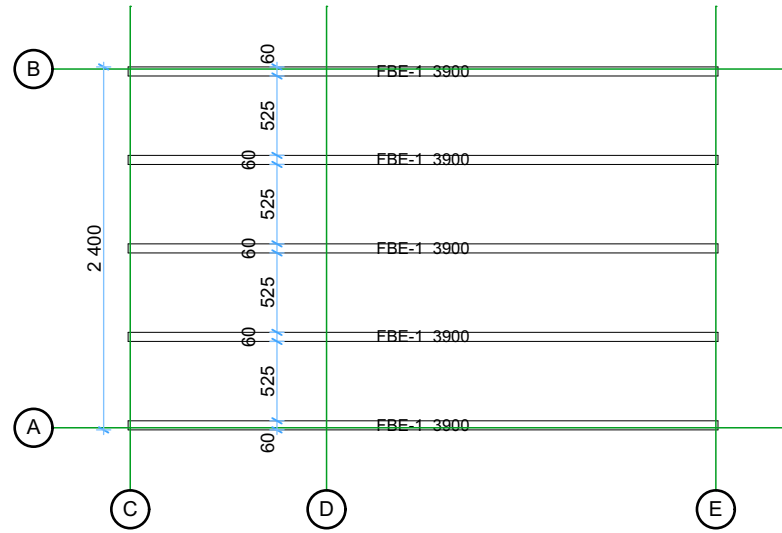
Walls and purlins positions



Thickness:	Project name:	Project ID:	Year:	Page:
28	Megy	2,6x4,1	2024	2

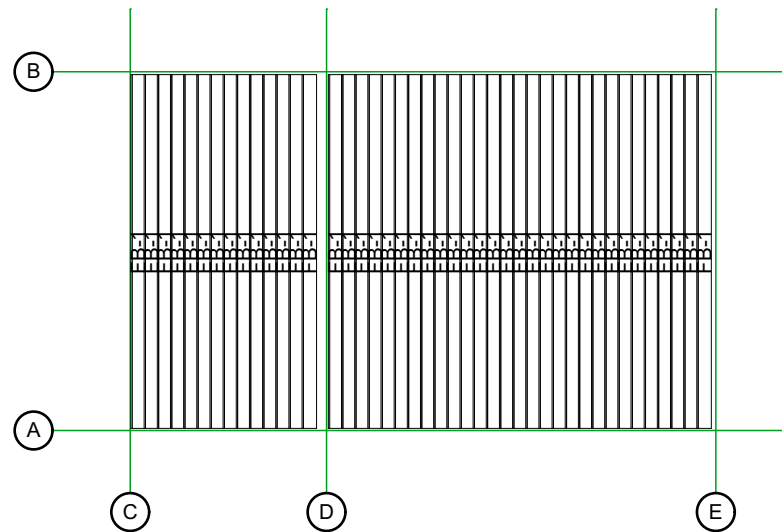
### Floor bearers

1:50



### Floor boards

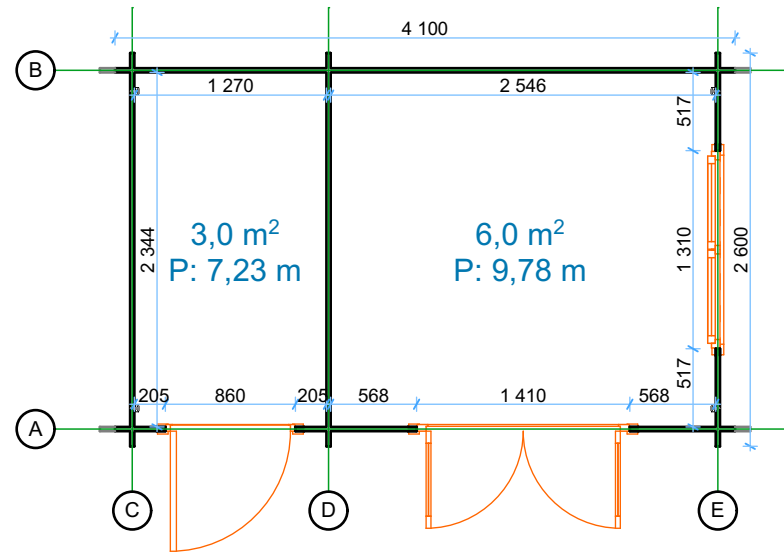
1:50



Thickness:	Project name:	Project ID:	Year:	Page:
28	Megy	2,6x4,1	2024	3

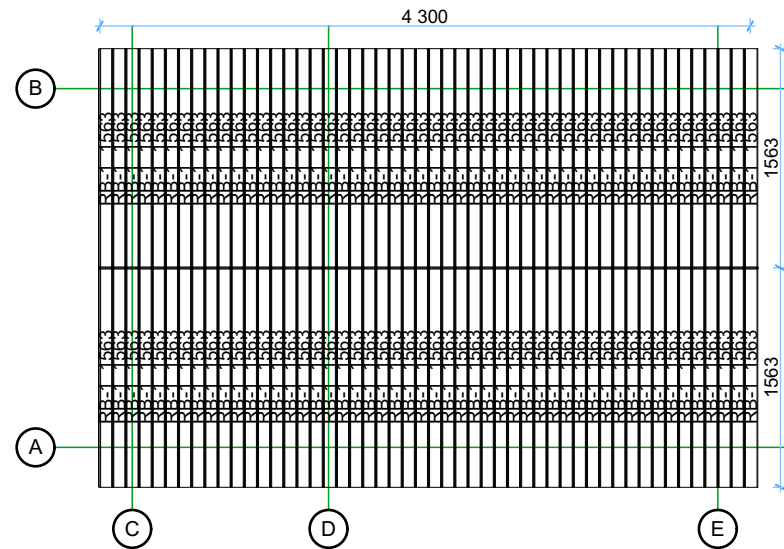
# Ground floor plan

1:50



# Roof boards

1:50



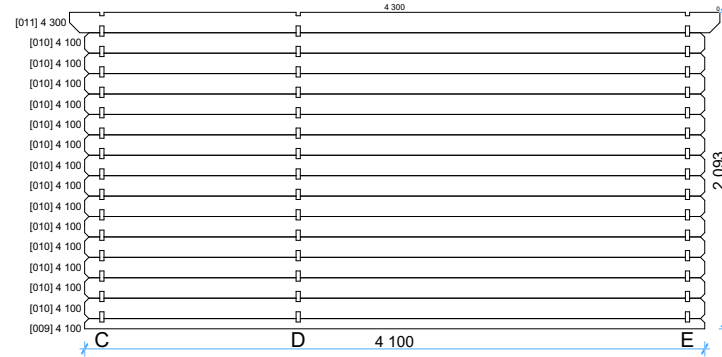
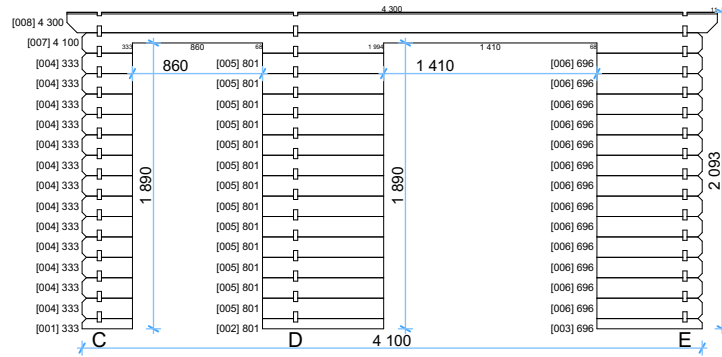
Thickness:	Project name:	Project ID:	Year:	Page:
28	Megy	2,6x4,1	2024	4

Wall A

1:50

Wall B

1:50



Wall C

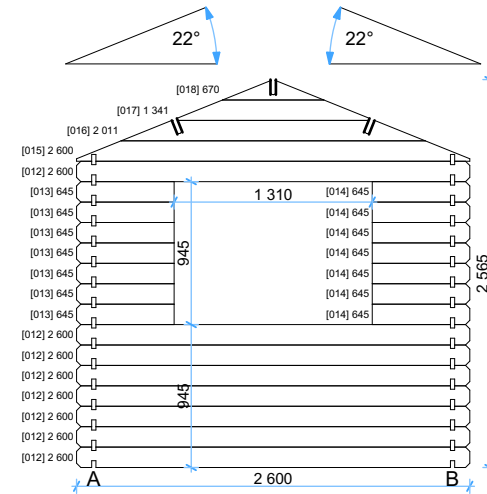
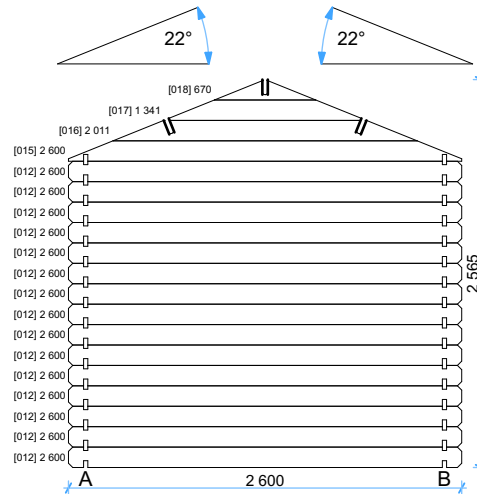
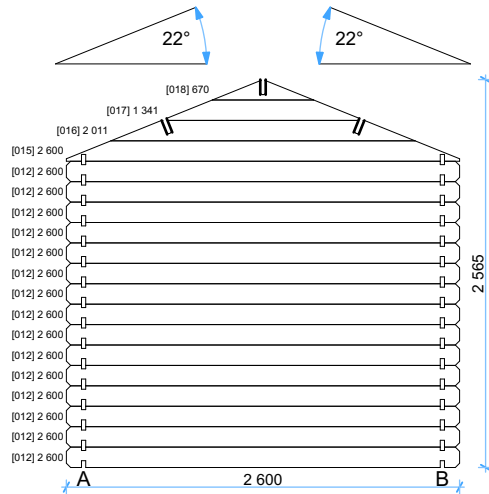
1:50

Wall D

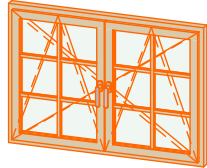
1:50

Wall E

1:50



Thickness:	Project name:	Project ID:	Year:	Page:
28	Megy	2,6x4,1	2024	5

Windows and doors list							
Barcode	Type-quality	Wall Thickness	W x H Size	Orientation	Glazing	Quantity	3D Axonometry
18585-1	Door - Economy	28	850×1 850	L	Full wood	1	
S185140-2	Door - Economy	28	1 400×1 850	R	50% glass, single glazed	1	
S92130	Window - Economy	28	1 300×920		Single glazed	1	

Thickness:	Project name:	Project ID:	Year:	Page:
28	Megy	2,6x4,1	2024	6