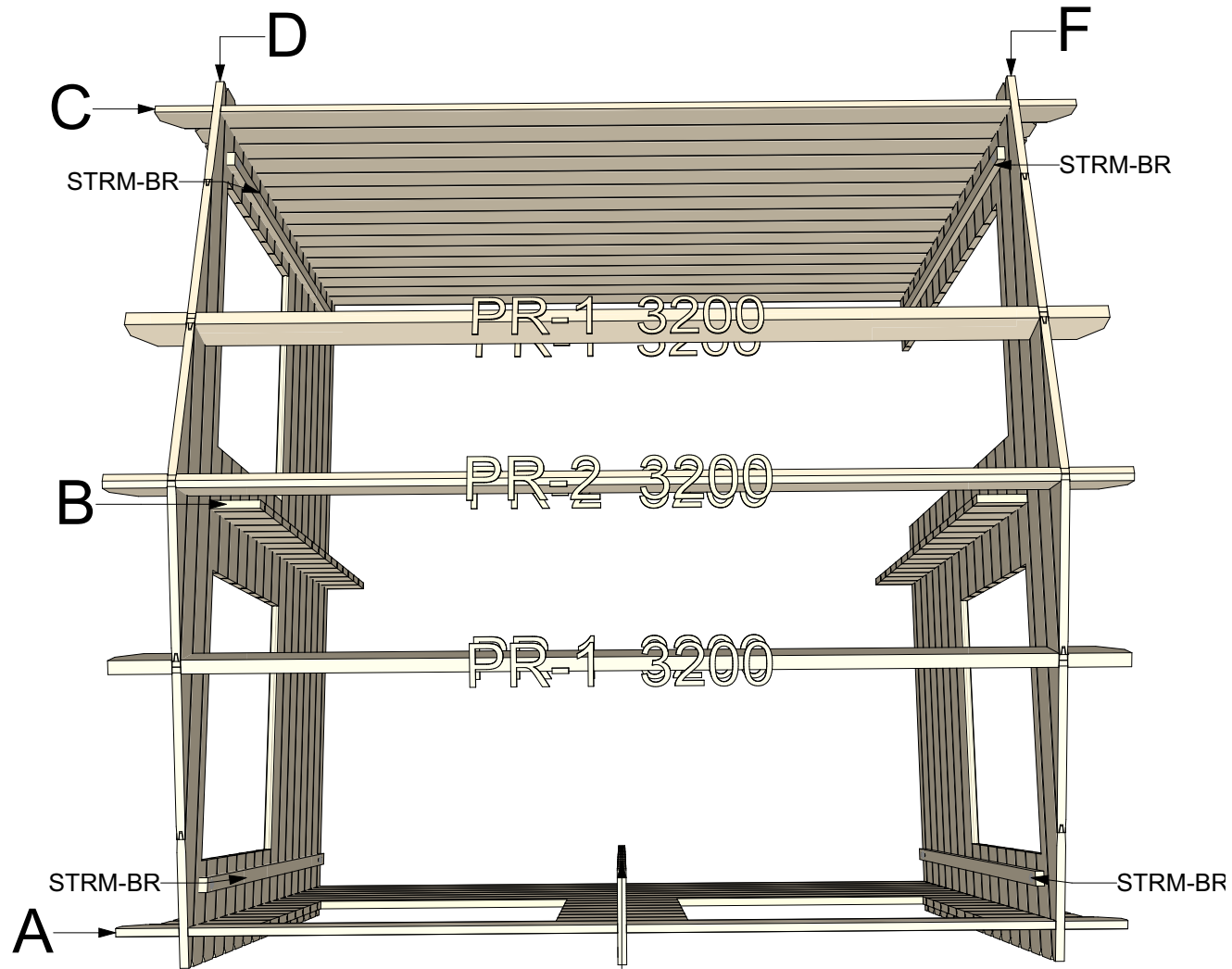




**28 Kiosk 3x3**

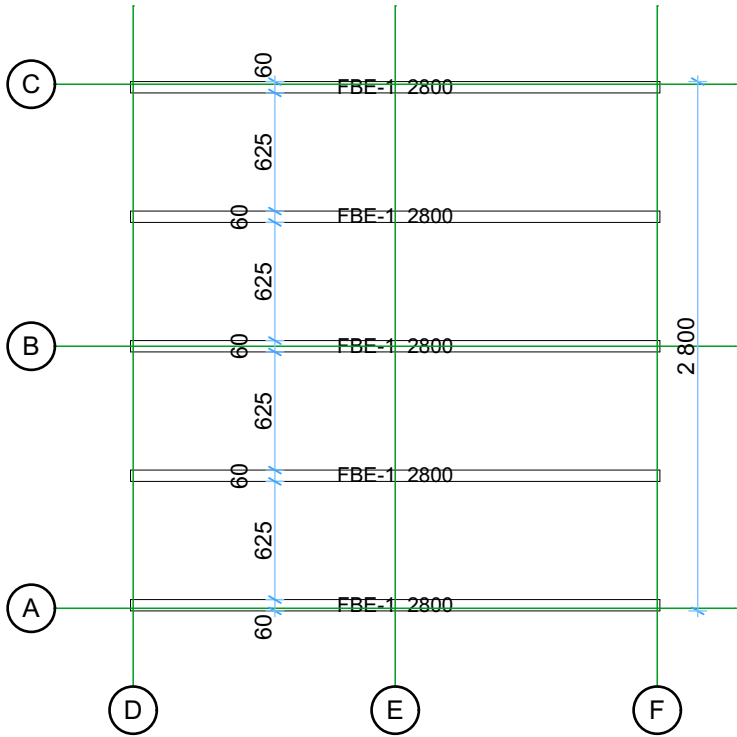
Walls and purlins positions



Thickness:	Project name:	Project ID:	Year:	Page:
28	Kiosk	3x3	2024	2

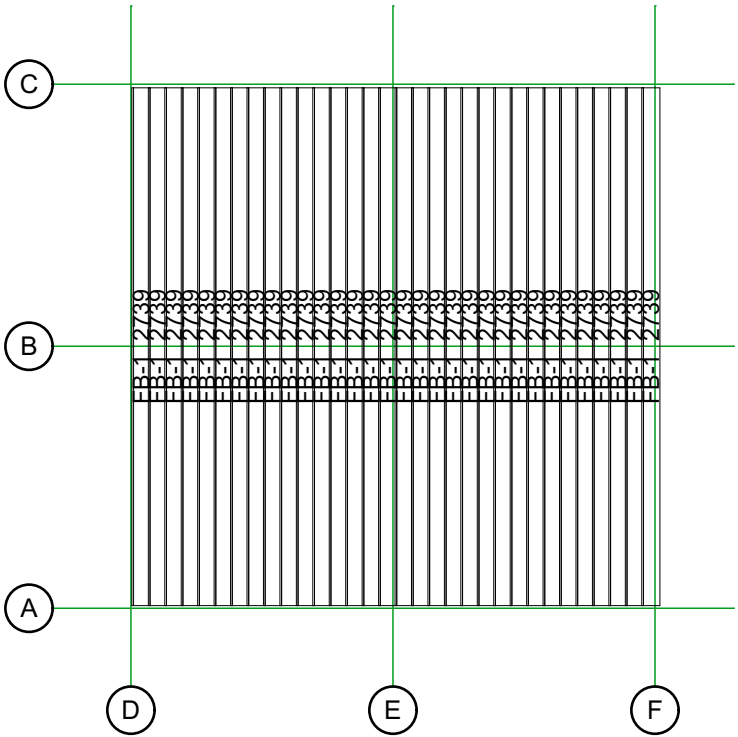
Floor bearers

1:40



Floor boards

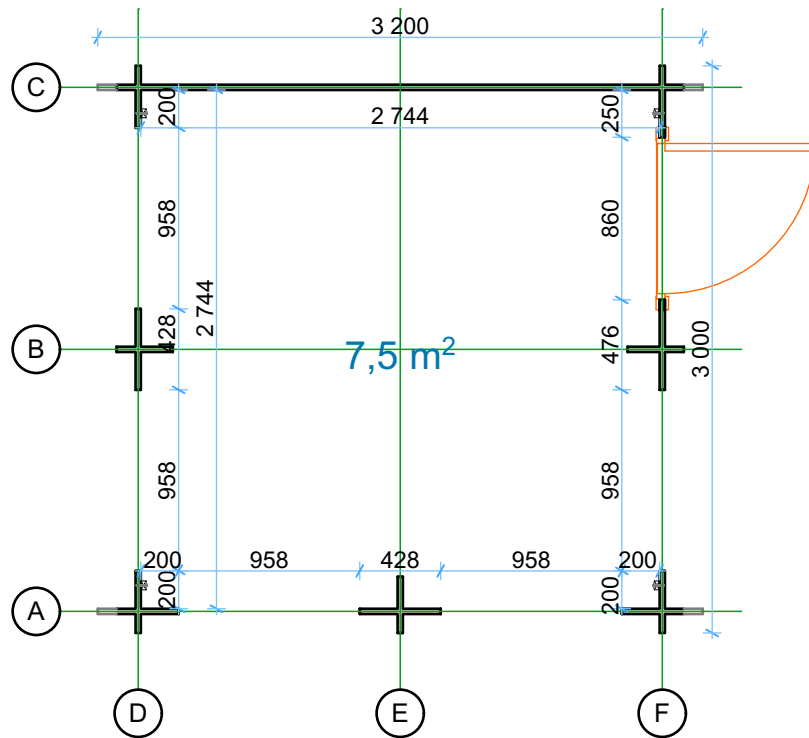
1:40



Thickness:	Project name:	Project ID:	Year:	Page:
28	Kiosk	3x3	2024	3

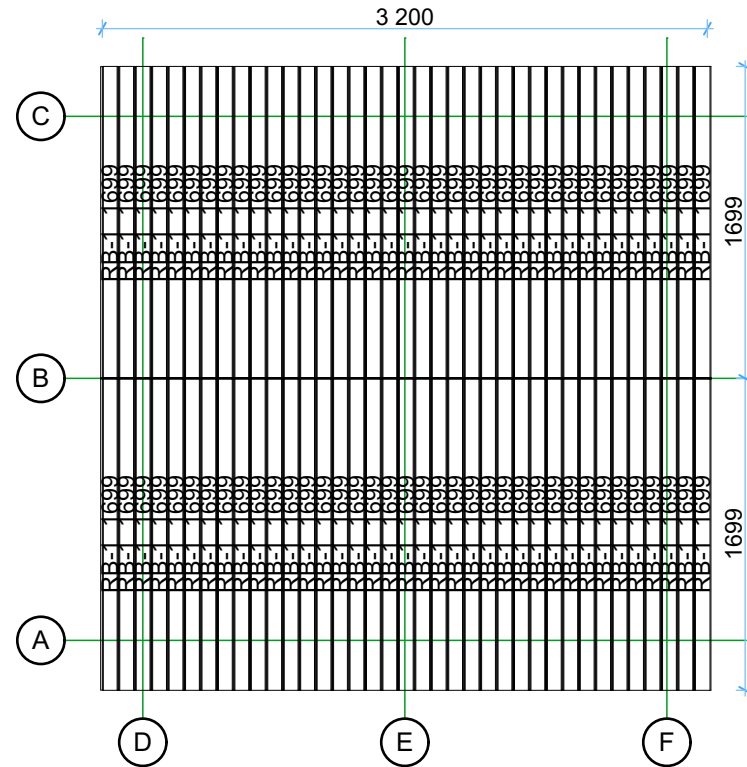
Ground floor plan

1:40




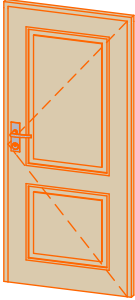
Roof boards

1:40



Thickness:	Project name:	Project ID:	Year:	Page:
28	Kiosk	3x3	2024	4



Windows and doors list							
Barcode	Type-quality	Wall Thickness	W x H Size	Orientation	Glazing	Quantity	3D Axonometry
<Undefined>	Kiosk shutter	---	958×1013	---	Wooden	5	
18585-1	Door - Economy	28	850×1850	R	Full wood	1	

Thickness:	Project name:	Project ID:	Year:	Page:
28	Kiosk	3x3	2024	6