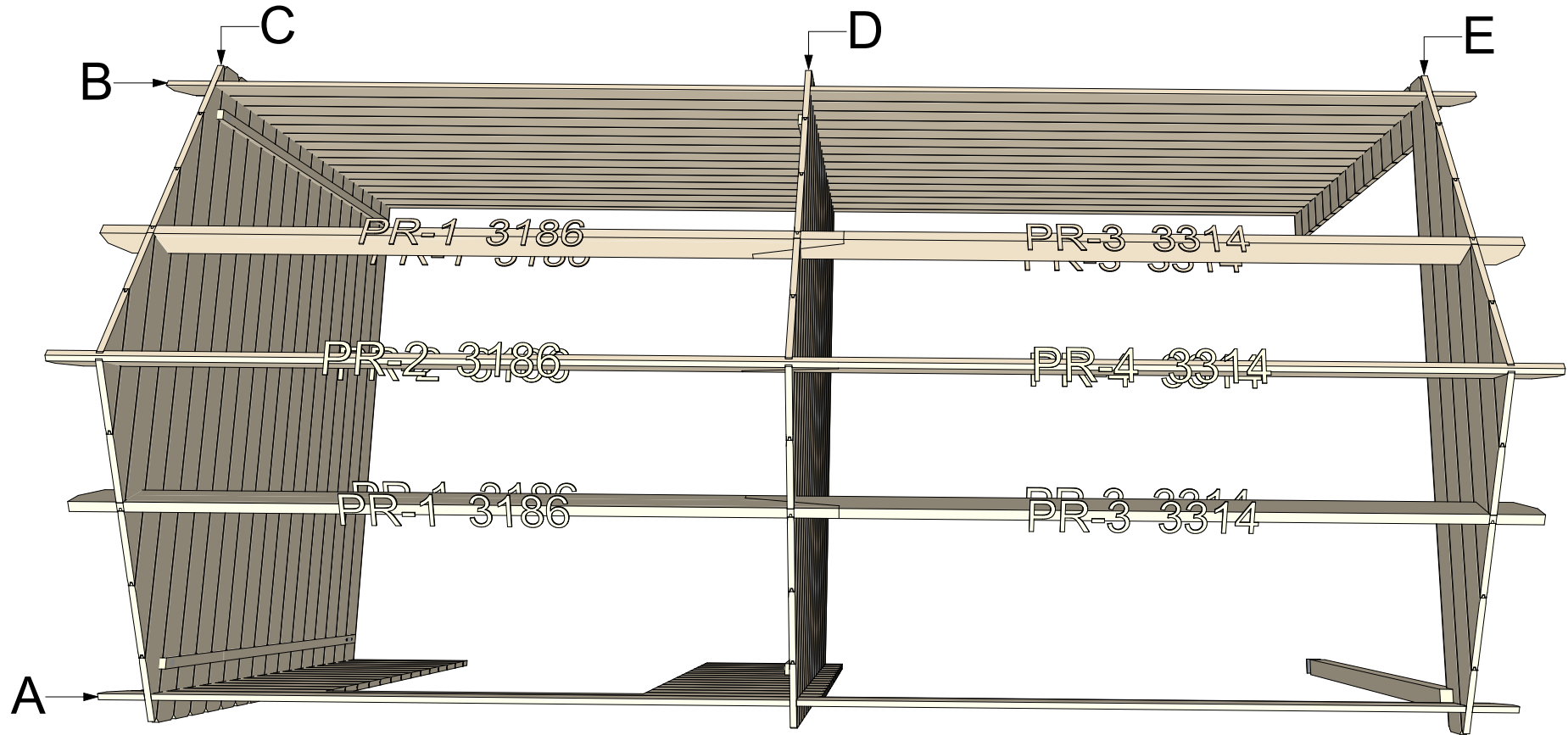




**28 Elise 3x5,9**

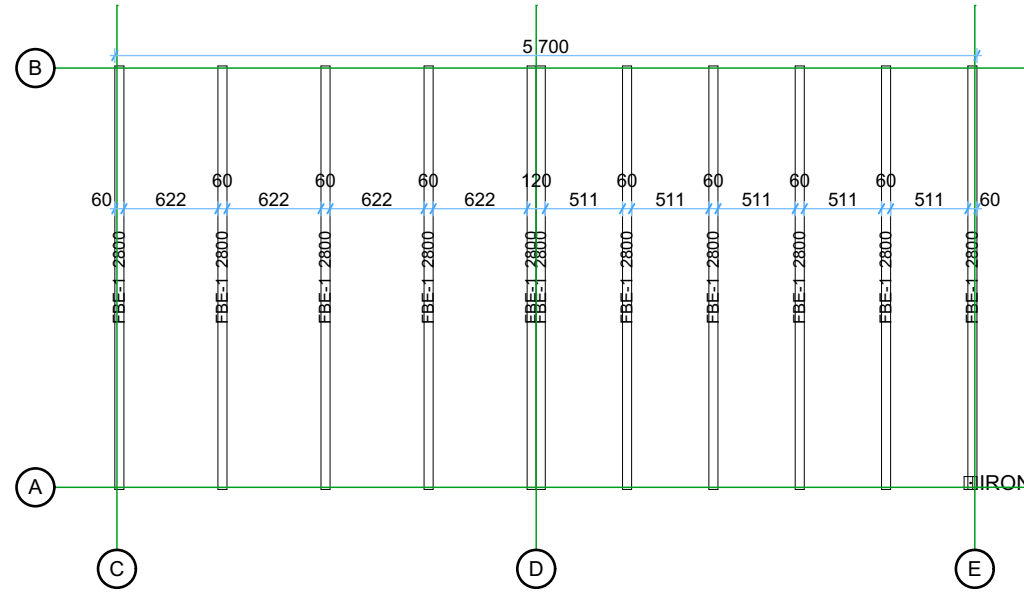
Walls and purlins positions



Thickness:	Project name:	Project ID:	Year:	Page:
28	Elise	3x5,9	2024	2

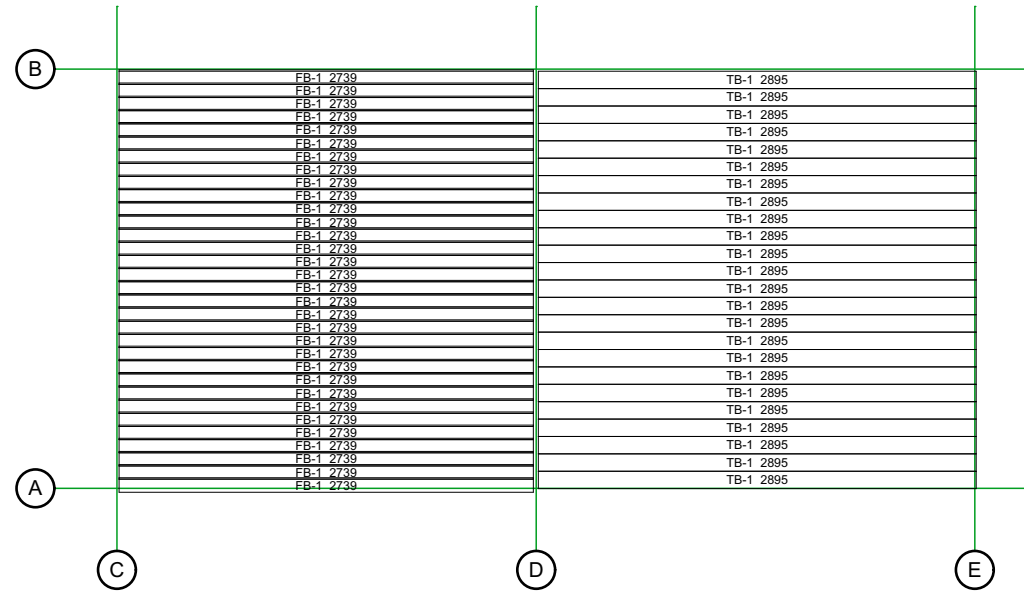
Floor bearers

1:50



Floor and Terrace boards

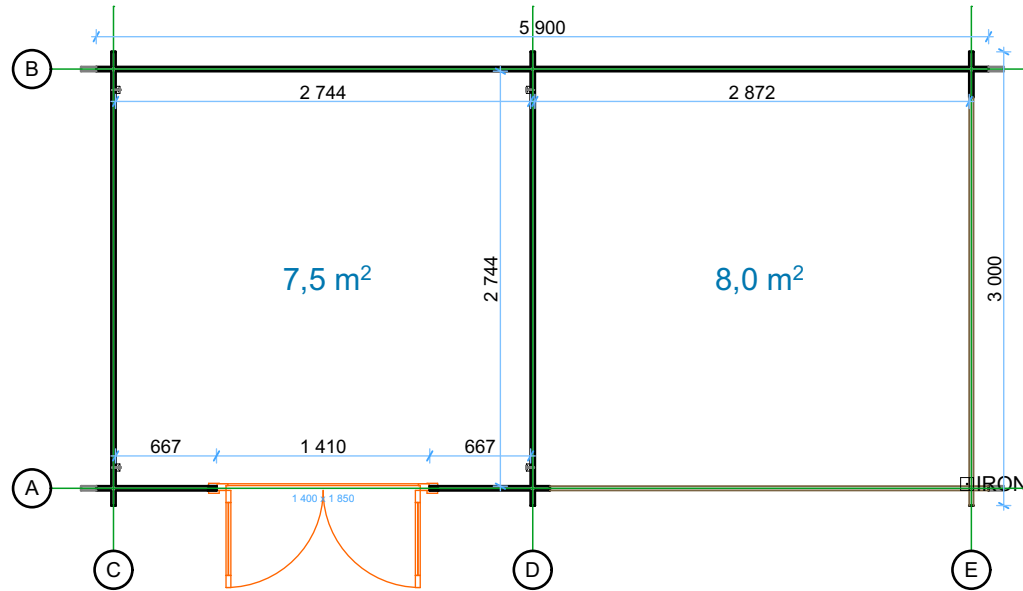
1:50



Thickness:	Project name:	Project ID:	Year:	Page:
28	Elise	3x5,9	2024	3

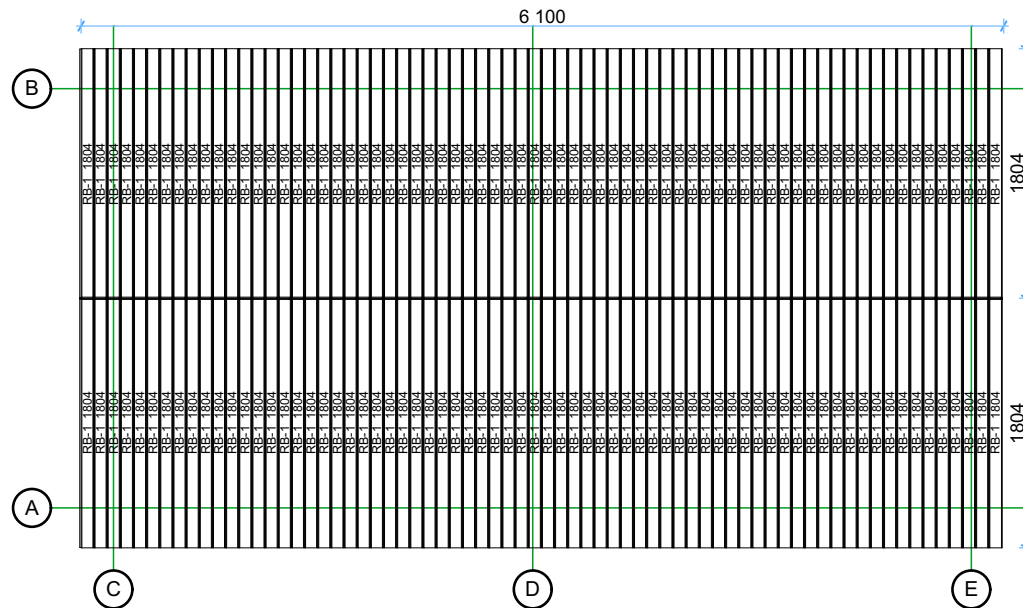
# Ground floor plan

1:50



# Roof boards

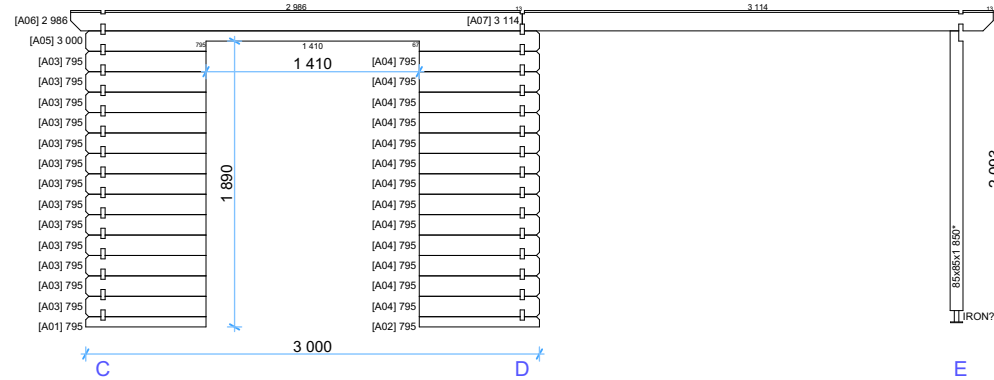
1:50



Thickness:	Project name:	Project ID:	Year:	Page:
28	Elise	3x5,9	2024	4

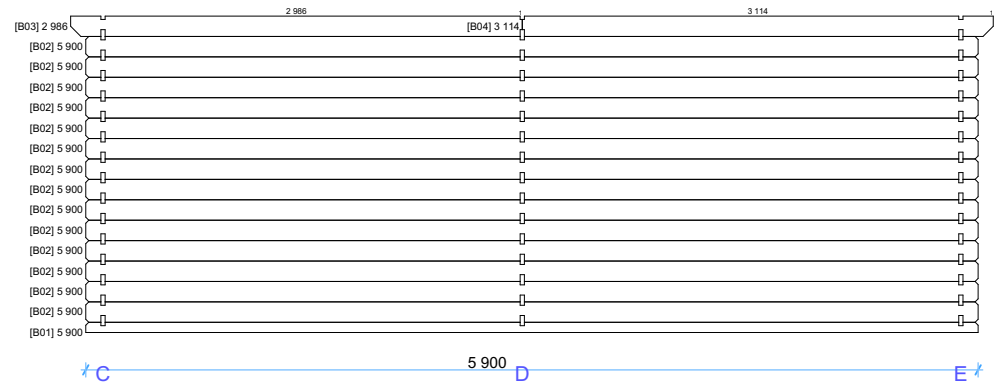
# Wall A

1:50



# Wall B

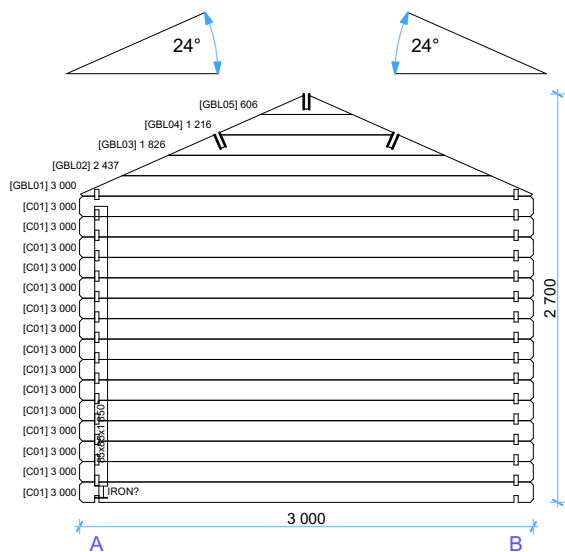
1:50



Thickness:	Project name:	Project ID:	Year:	Page:
28	Elise	3x5,9	2024	5

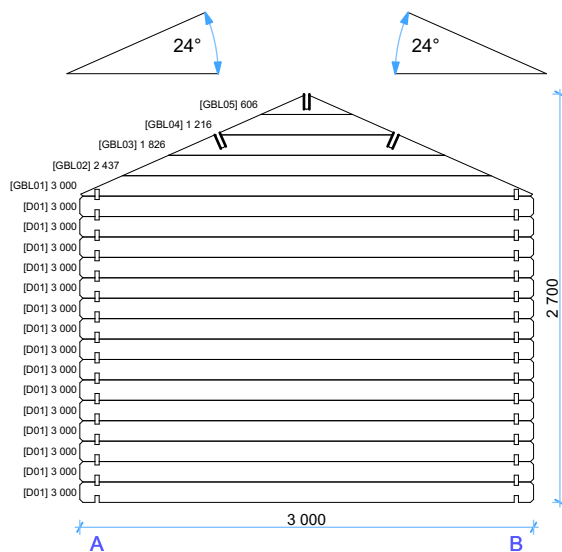
Wall C

1:50



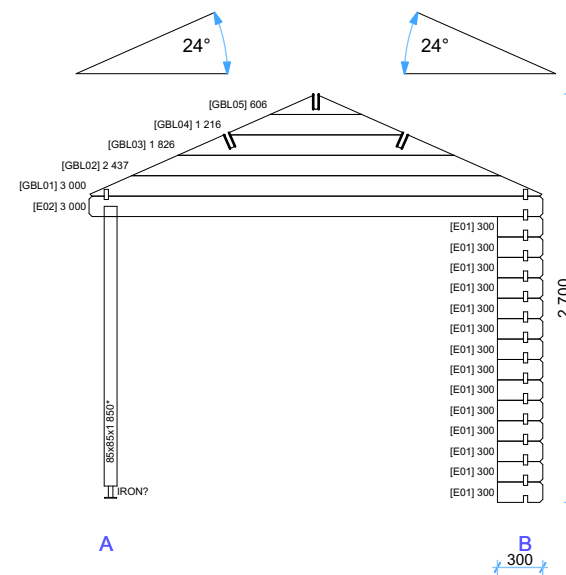
Wall D

1:50

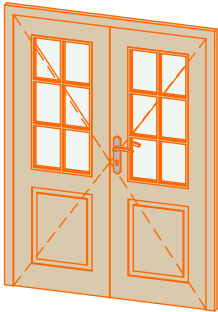


Wall E

1:50



Thickness:	Project name:	Project ID:	Year:	Page:
28	Elise	3x5,9	2024	6

Windows and doors list							
Barcode	Type-quality	Wall Thickness	W x H Size	Orientation	Glazing	Quantity	3D Axonometry
185140-2	Door - Economy	28	1 400×1 850	R	50% glass, single glazed	1	

Thickness:	Project name:	Project ID:	Year:	Page:
28	Elise	3x5,9	2024	7