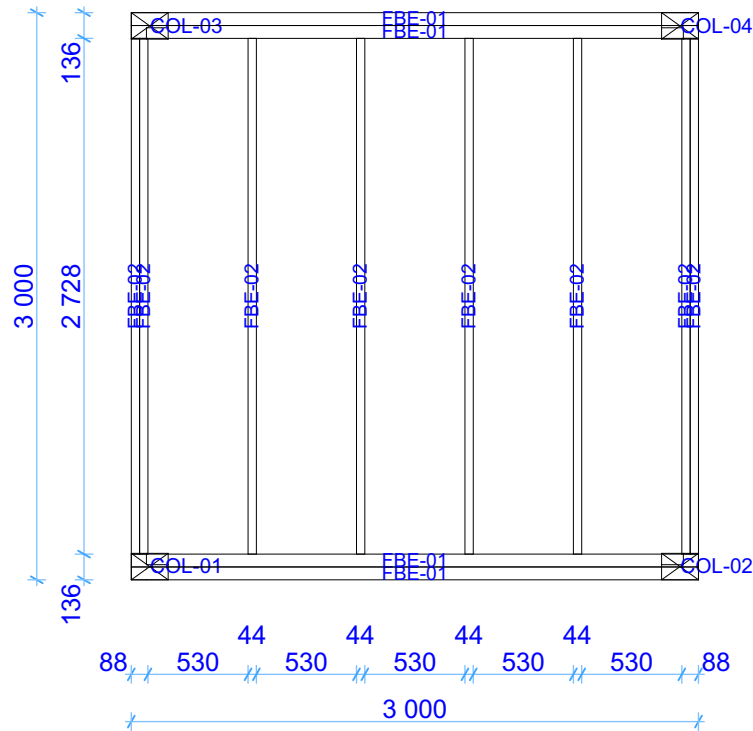




Pergola 3x3

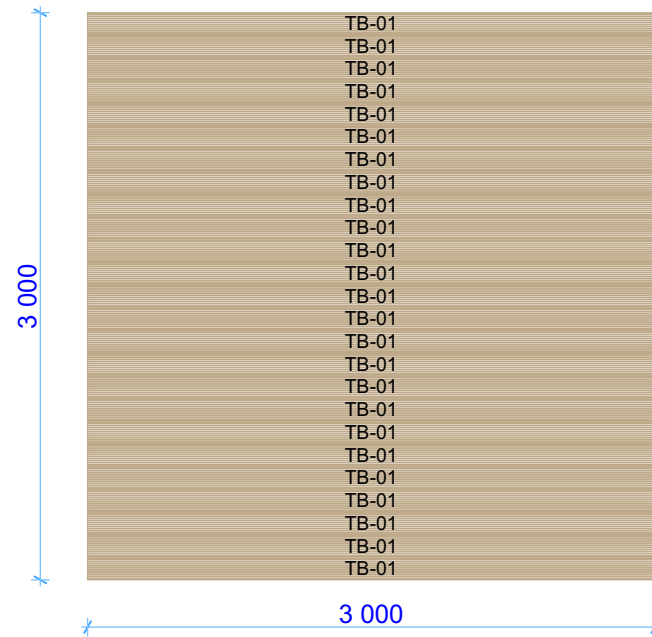
Floor bearers

1:40



Terrace boards

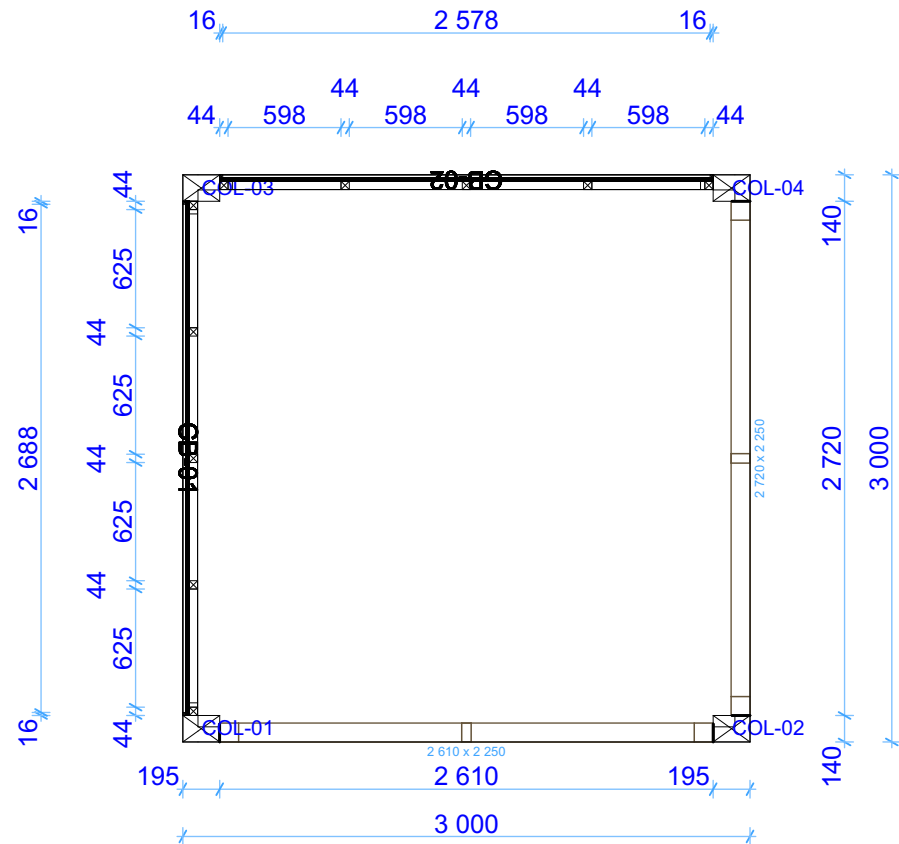
1:40



Thickness	Project name	Project ID	Date	Page
	Pergola 3x3		2025-03	2

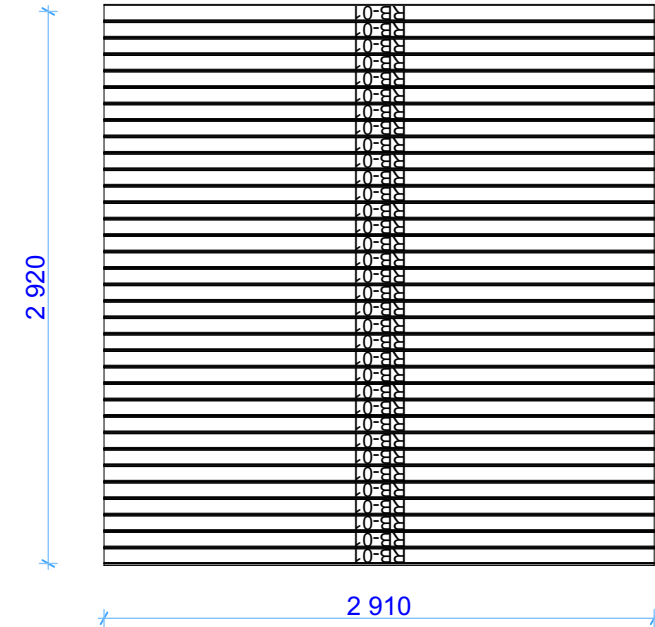
Ground floor plan

1:40



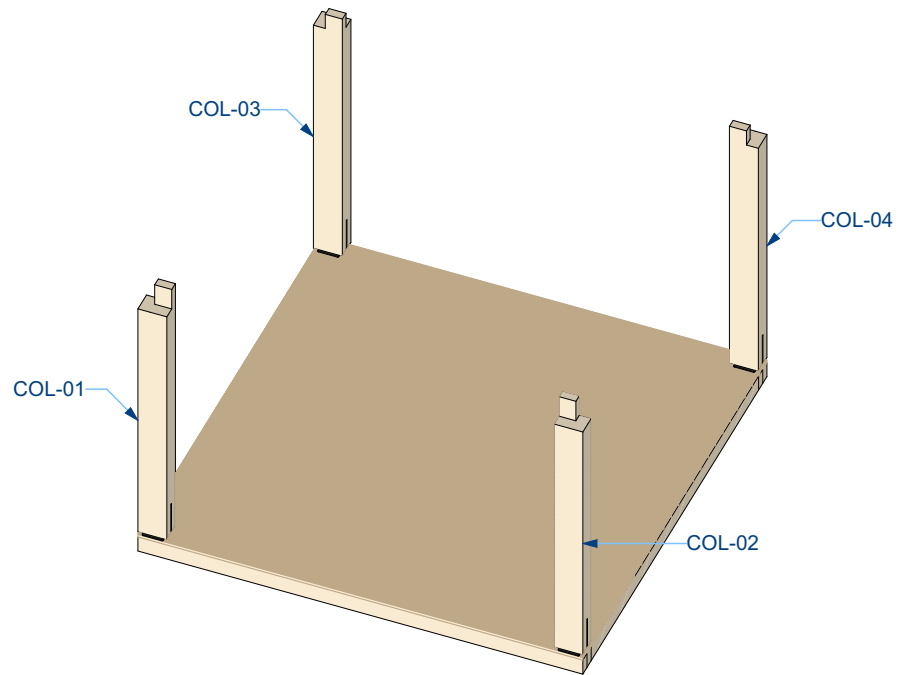
Roof boards

1:40

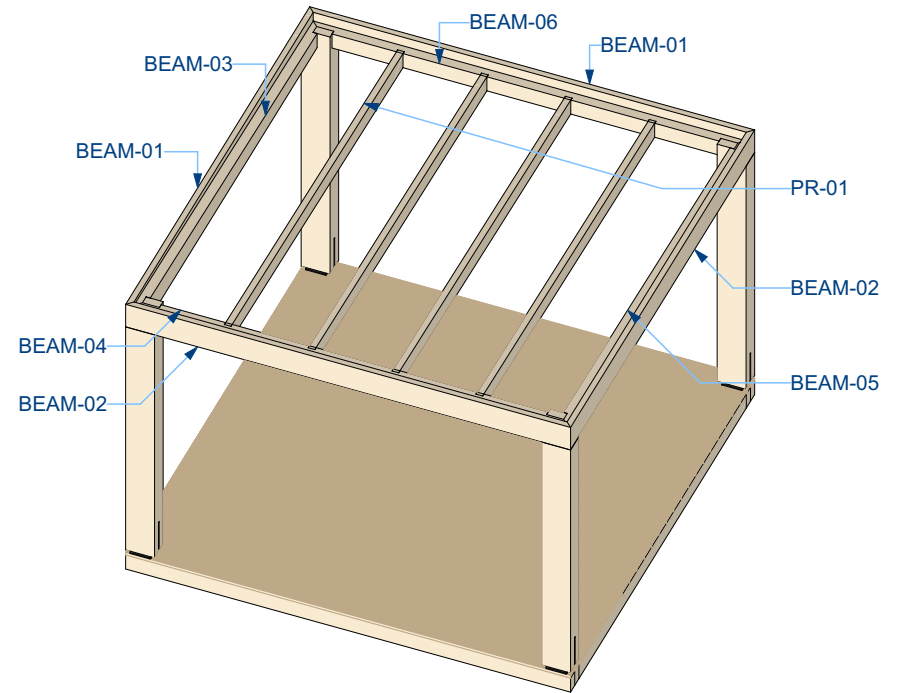


Thickness	Project name	Project ID	Date	Page
	Pergola 3x3		2025-03	3

Columns

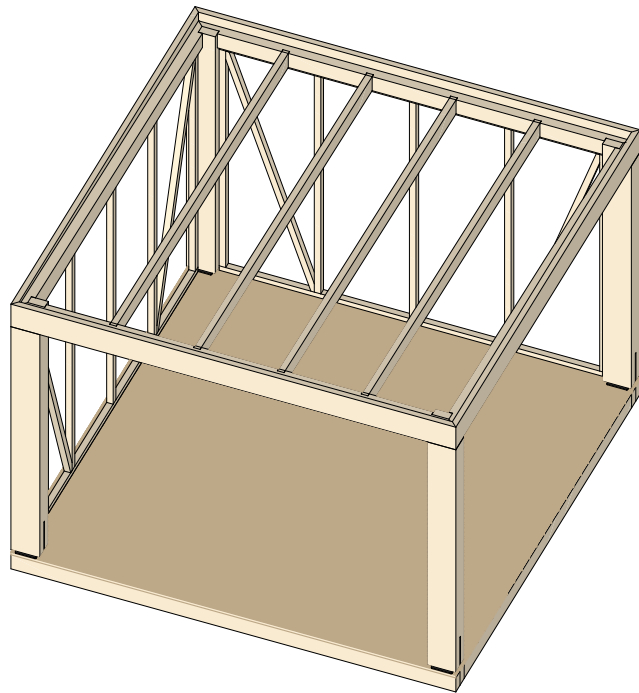


Beams and purlins

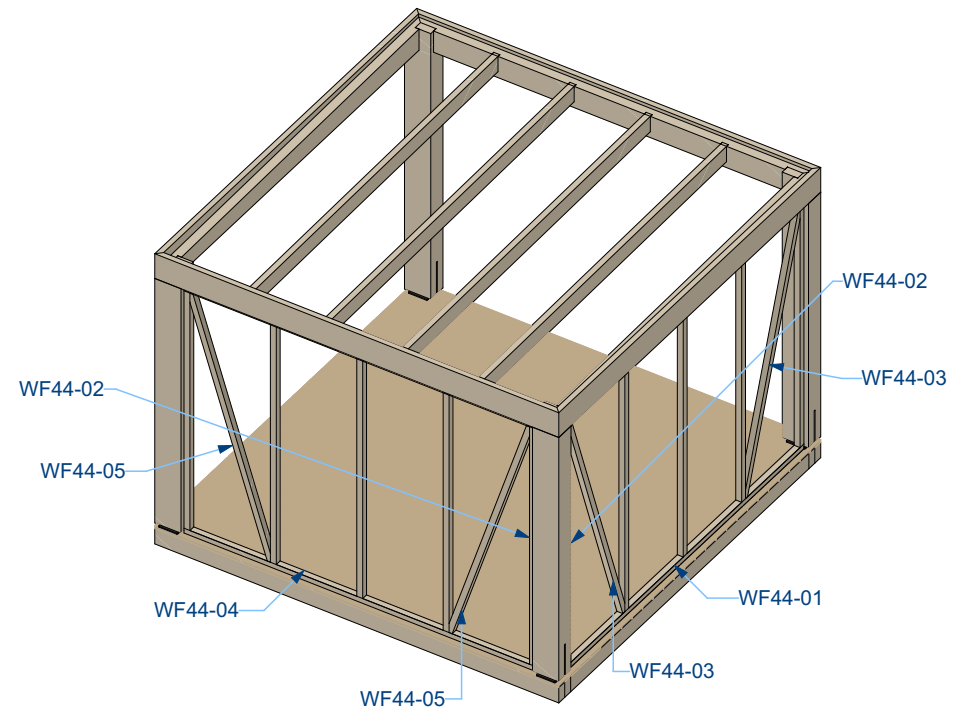


Thickness	Project name	Project ID	Date	Page
	Pergola 3x3		2025-03	4

Wall frame 44x44 (1)

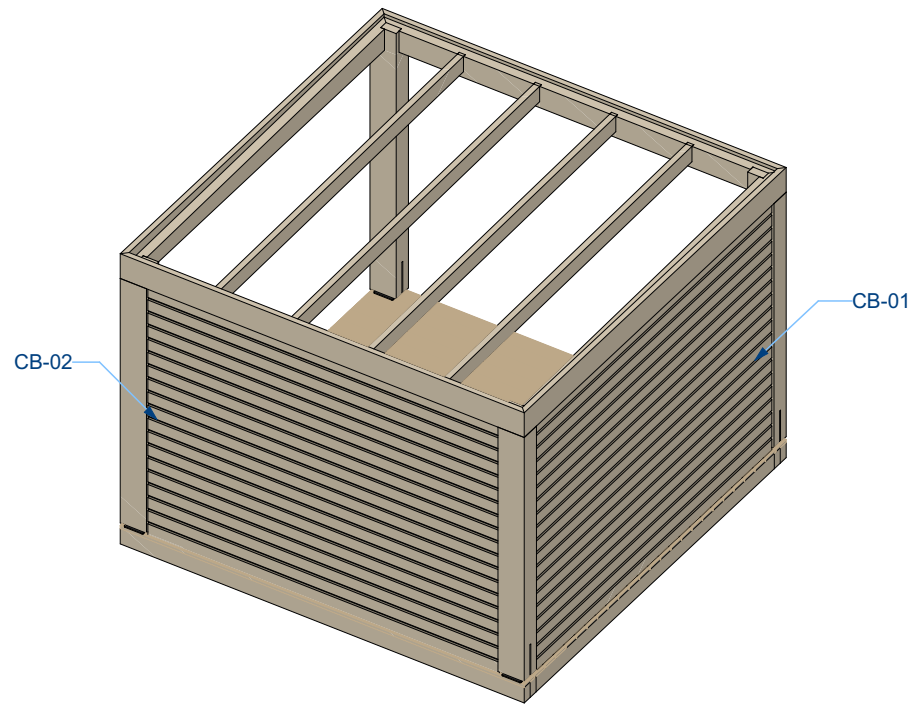


Wall frame 44x44 (2)

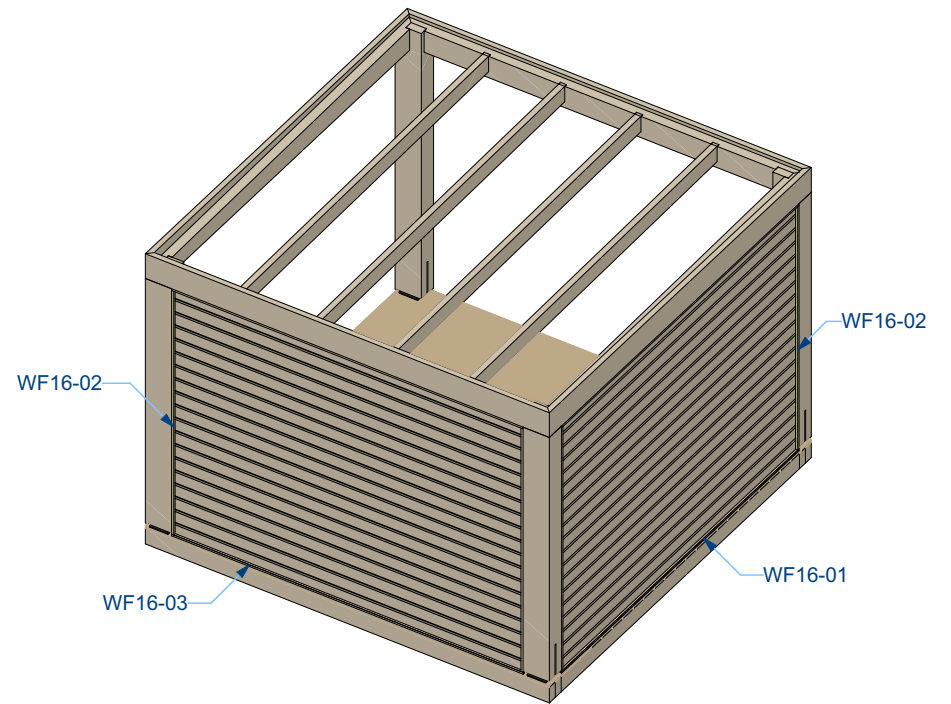


Thickness	Project name	Project ID	Date	Page
	Pergola 3x3		2025-03	5

Wall cladding boards



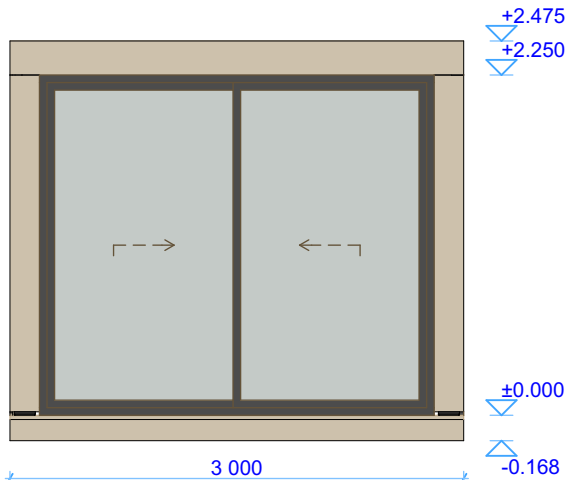
Wall frame 16x16



Thickness	Project name	Project ID	Date	Page
	Pergola 3x3		2025-03	6

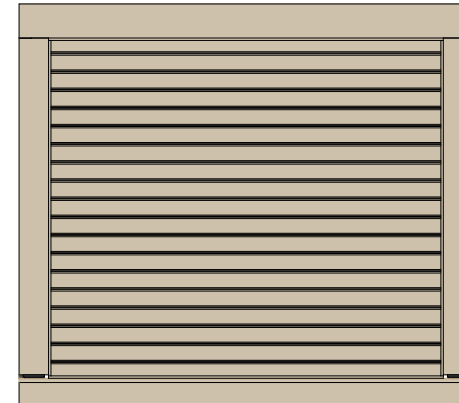
Front Elevation

1:50



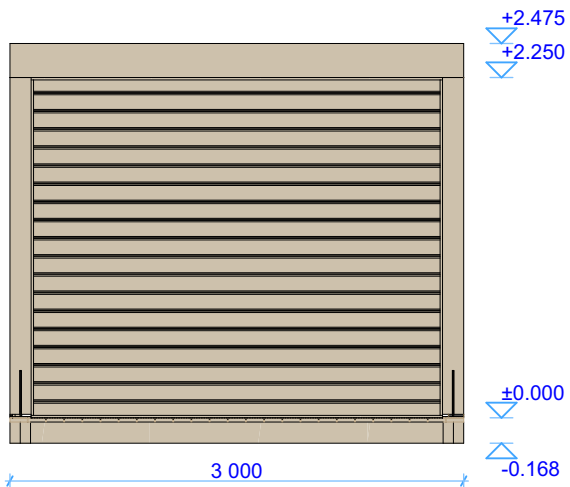
Back Elevation

1:50



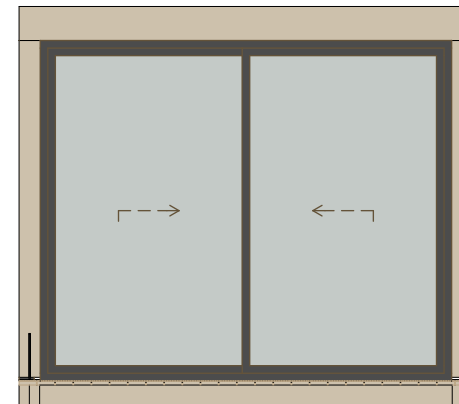
Left Elevation

1:50





Right Elevation

1:50



Thickness	Project name	Project ID	Date	Page
	Pergola 3x3		2025-03	7

Windows and doors list							
Type-quality	Barcode	Wall Thickness	W x H Size	Orientation	Glazing	Quantity	3D Axonometry
Window - Economy	S261225	95	2 610×250		Single glazed	1	
Window - Economy	S272225	95	2 720×250		Single glazed	1	

Thickness	Project name	Project ID	Date	Page
	Pergola 3x3		2025-03	8