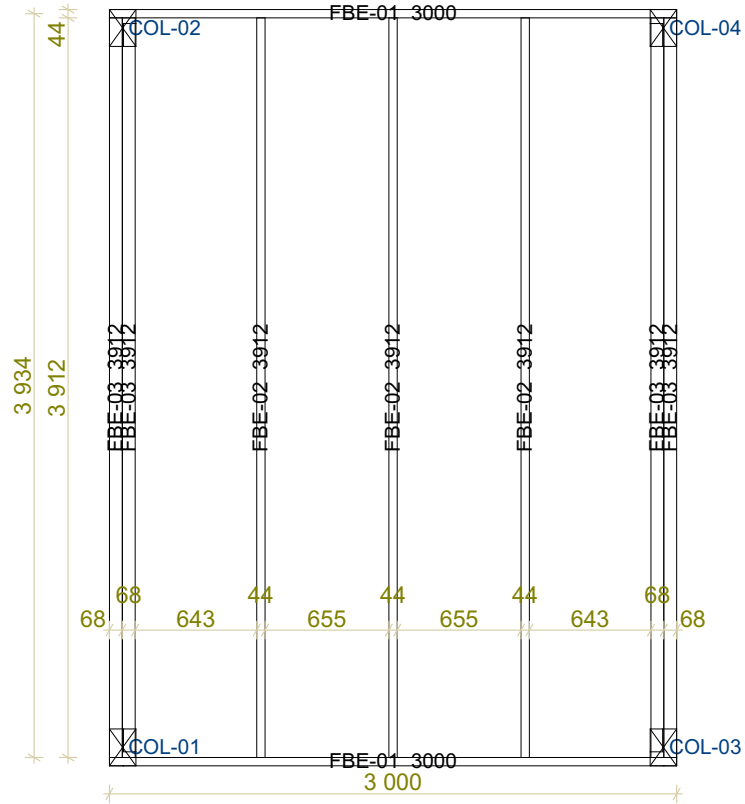




Pergola 3x4

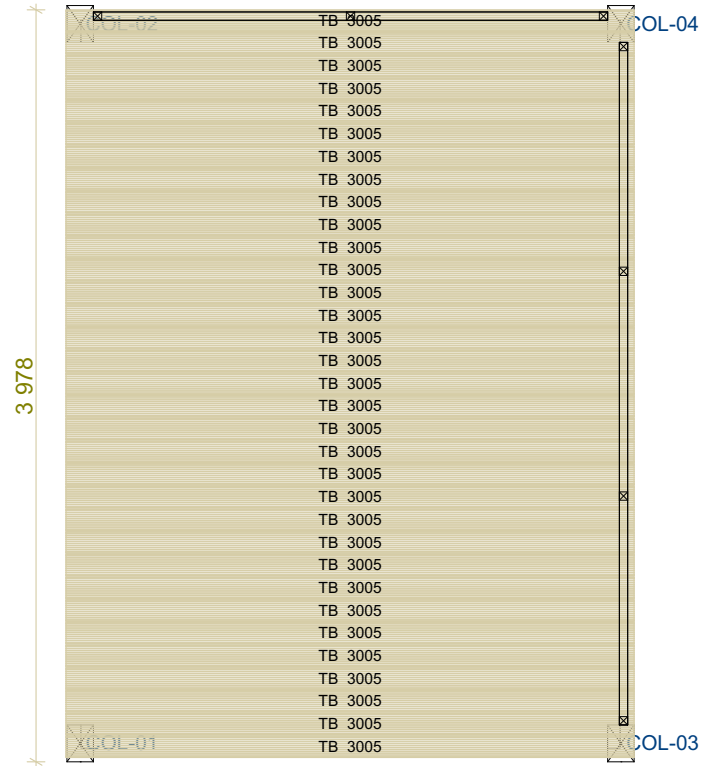
Floor bearers

1:40



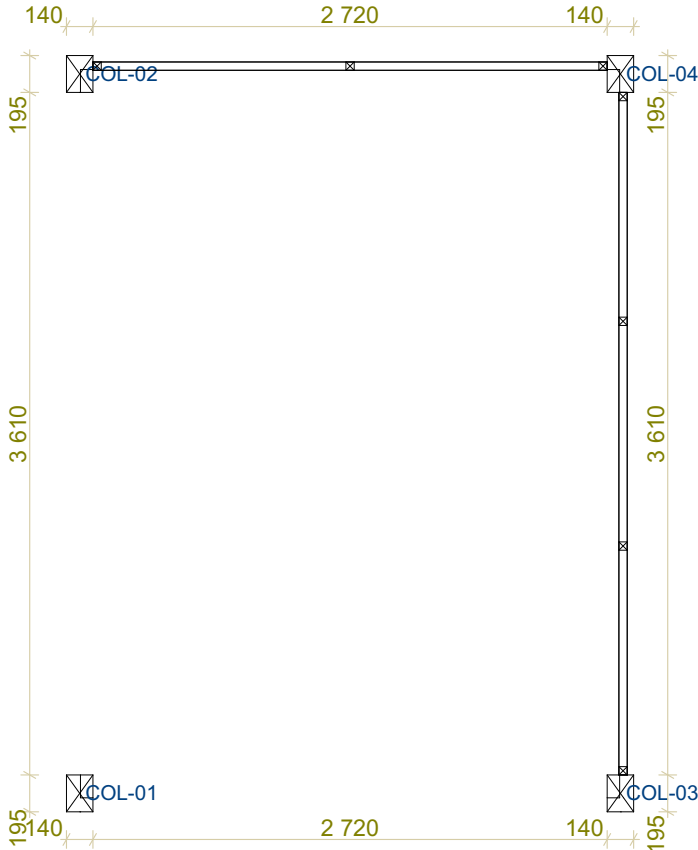
Terrace boards

1:40



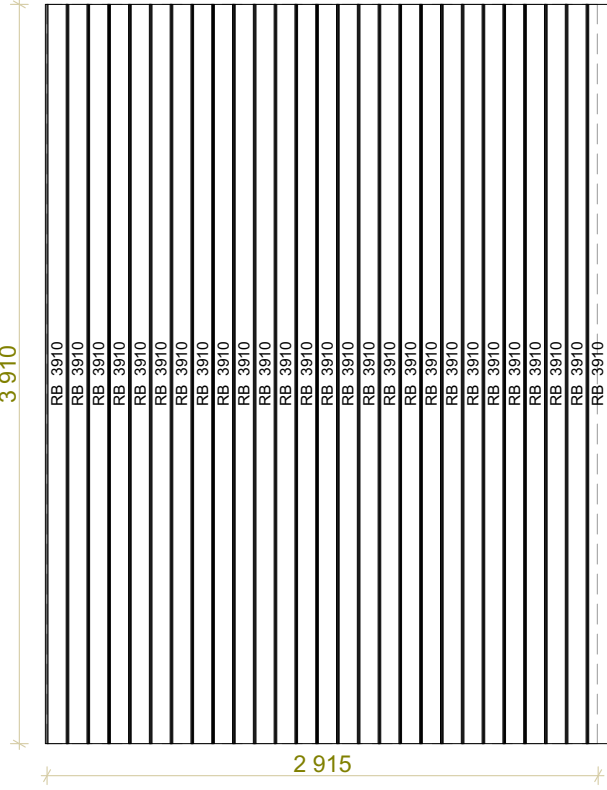
Ground floor plan

1:40



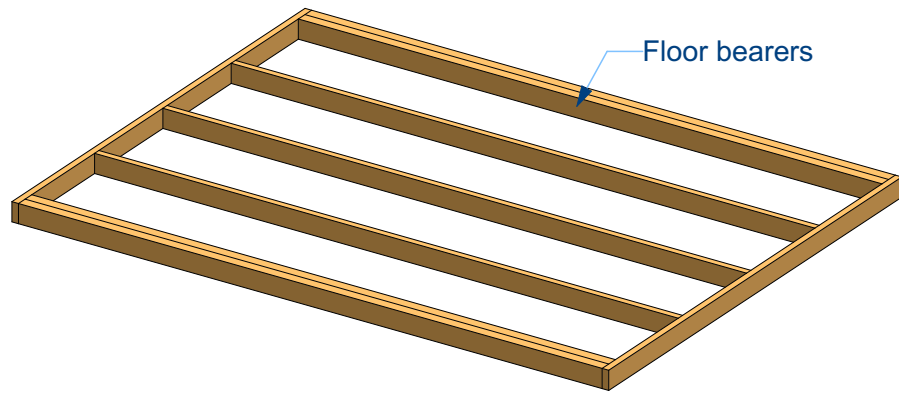
Roof boards

1:40



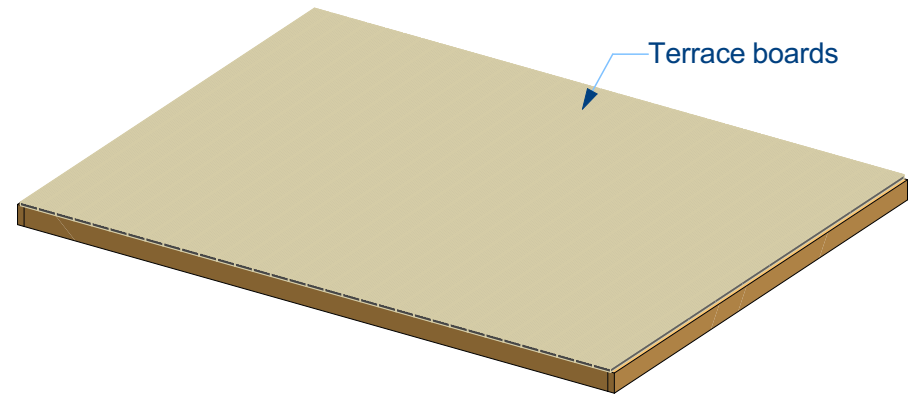
1

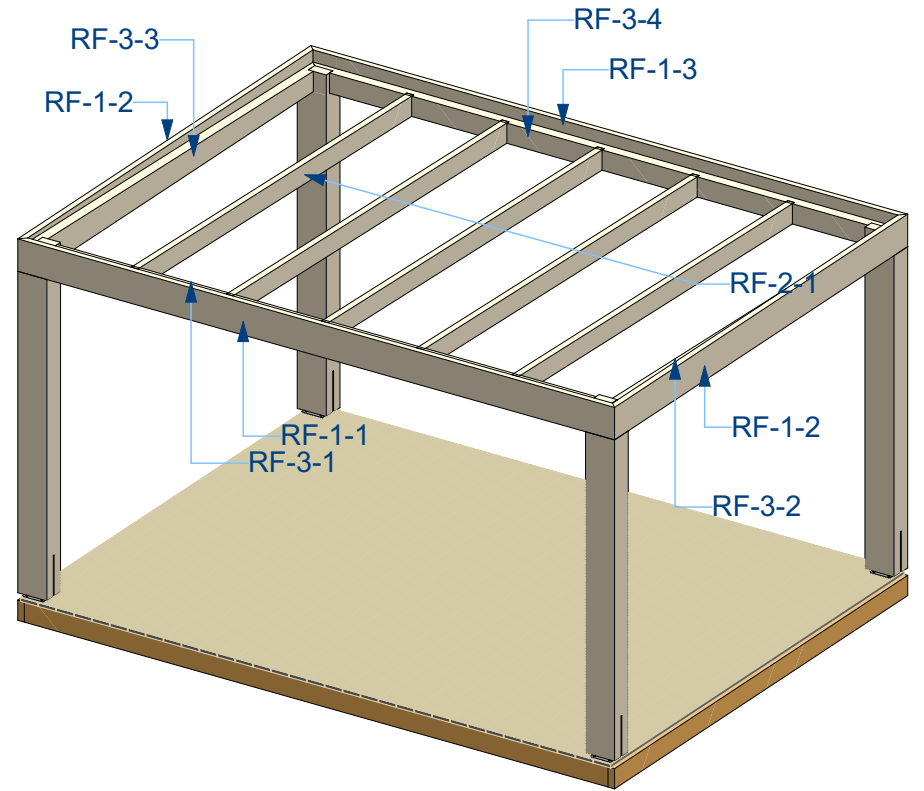
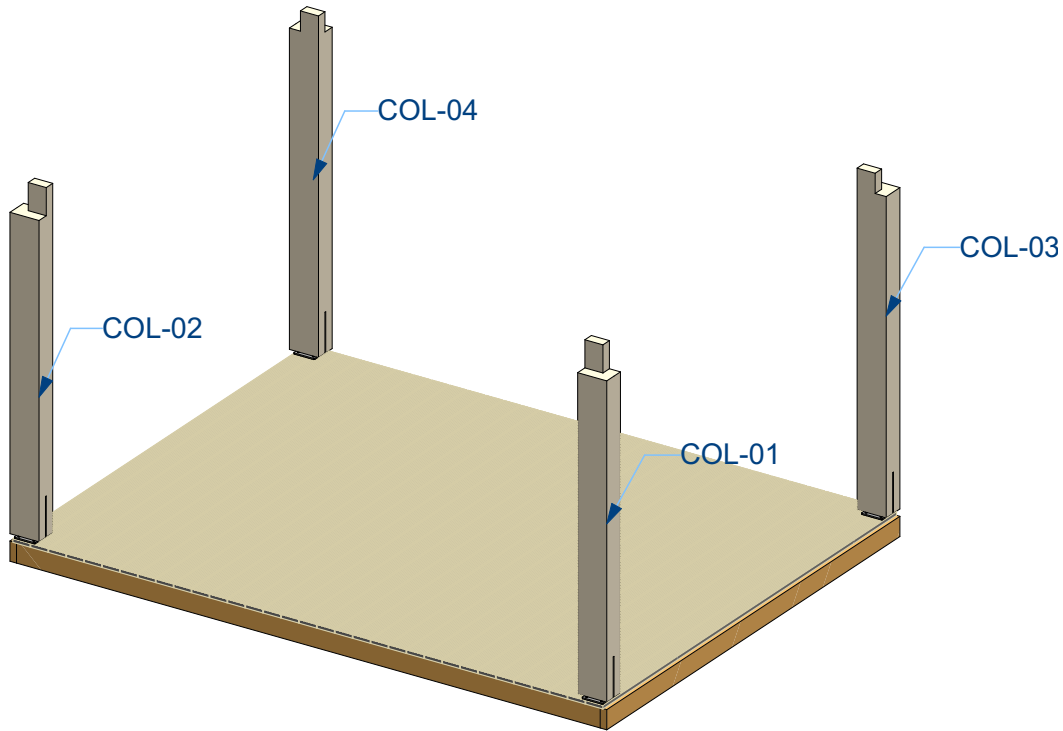
1:45

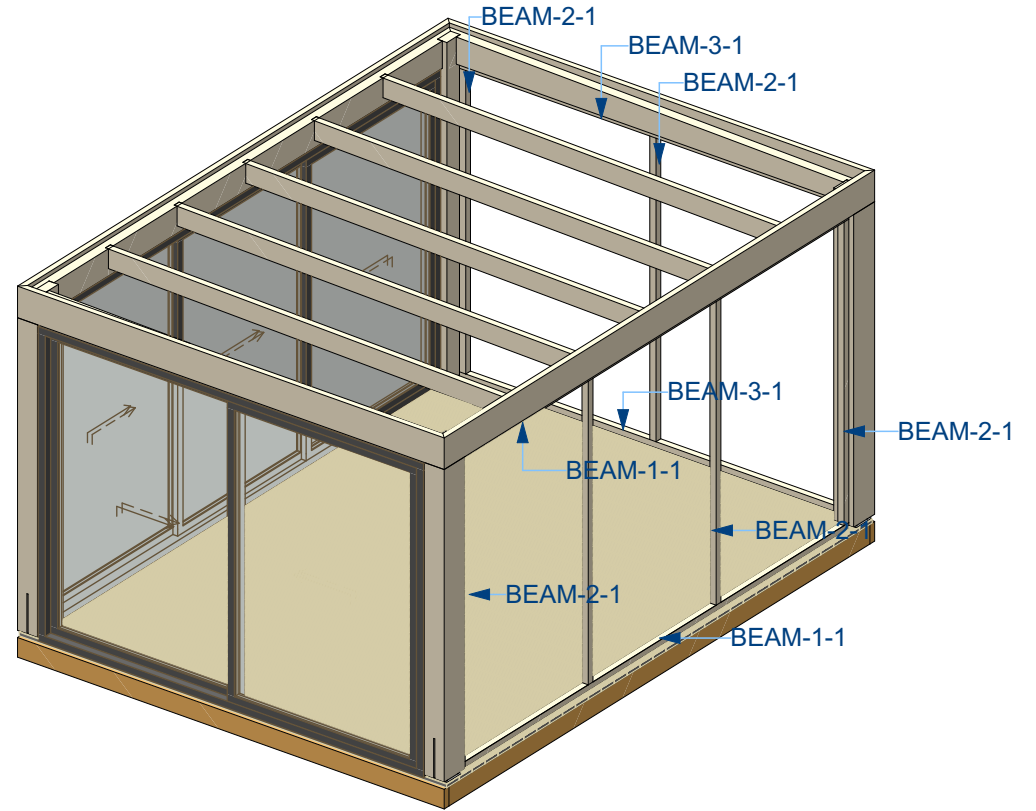
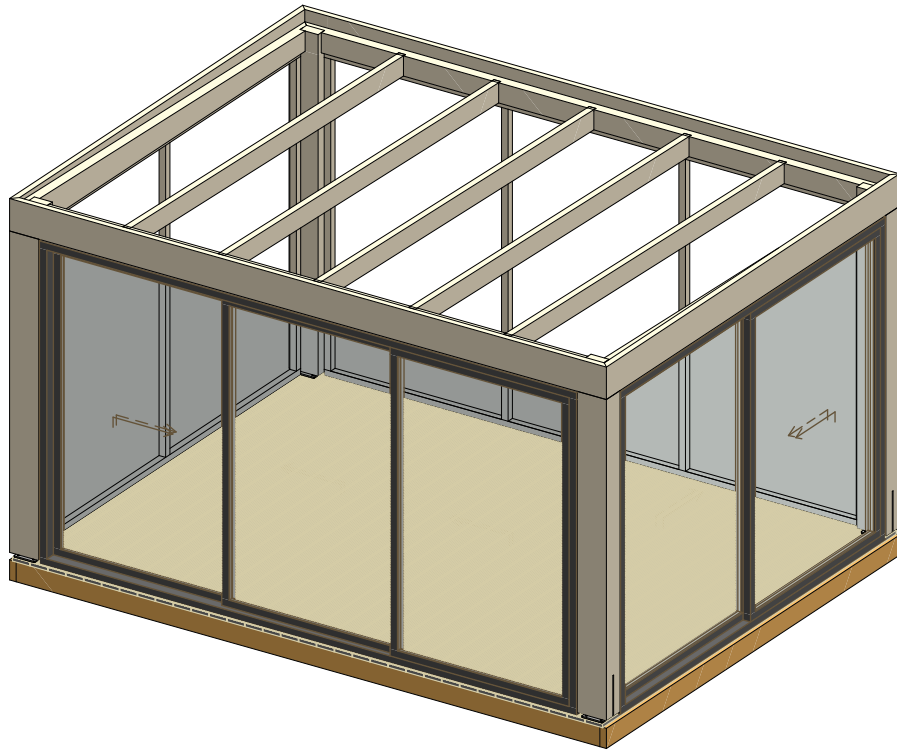


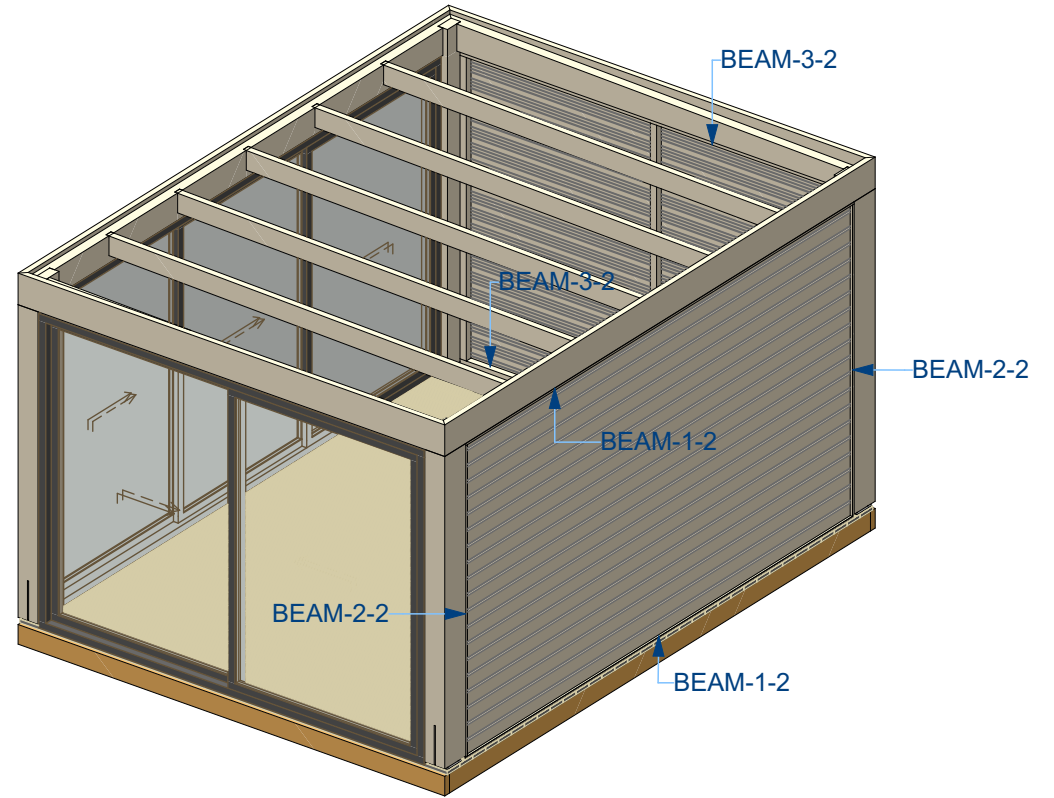
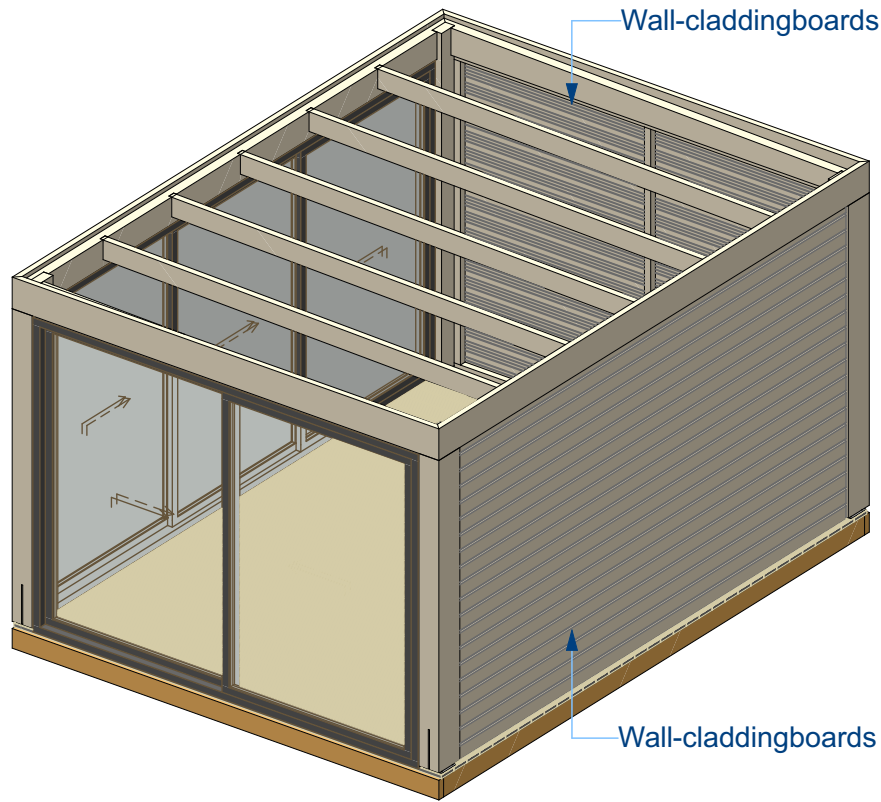
2

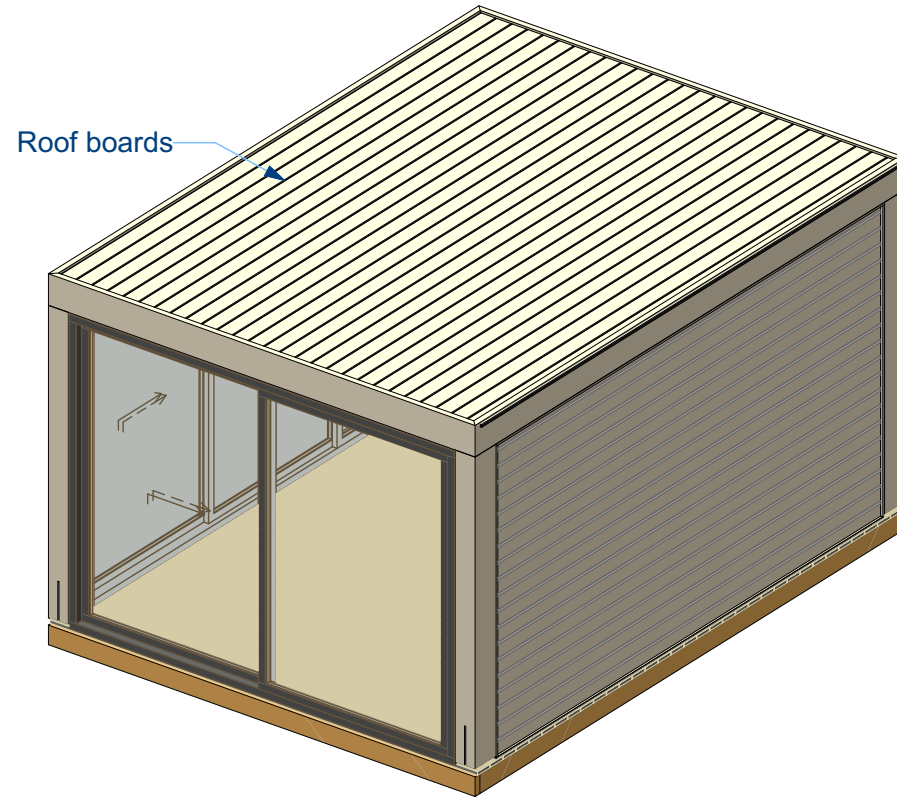
1:45





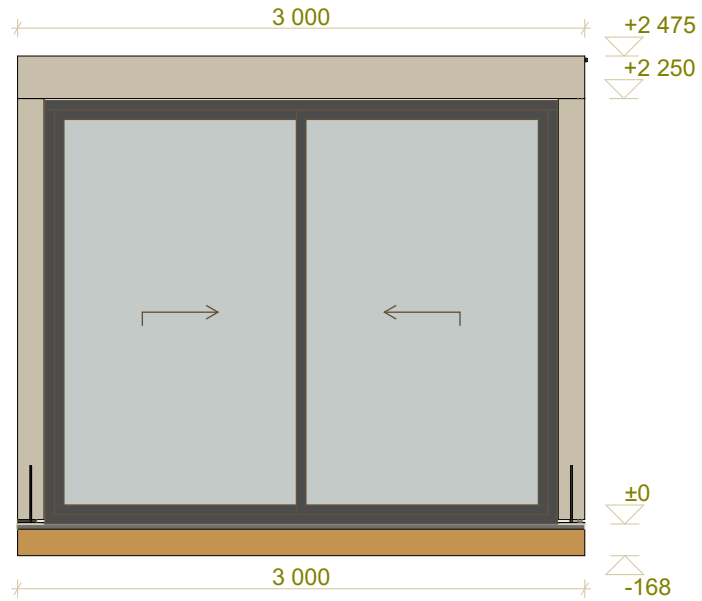






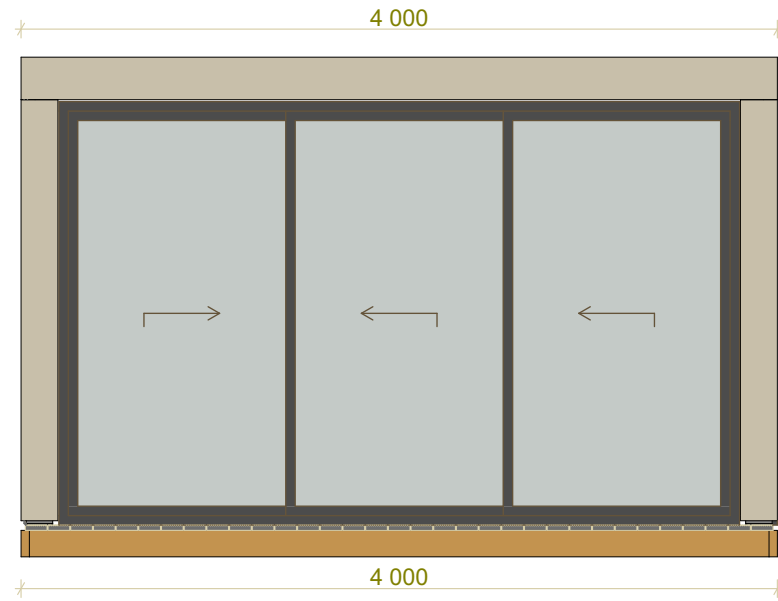
Front Elevation

1:40



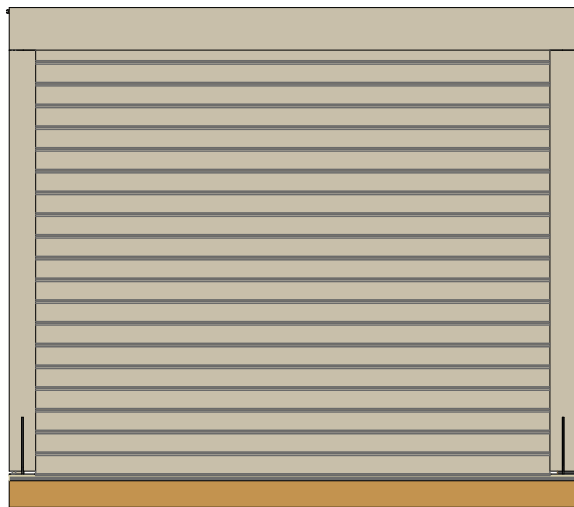
Left Elevation

1:40



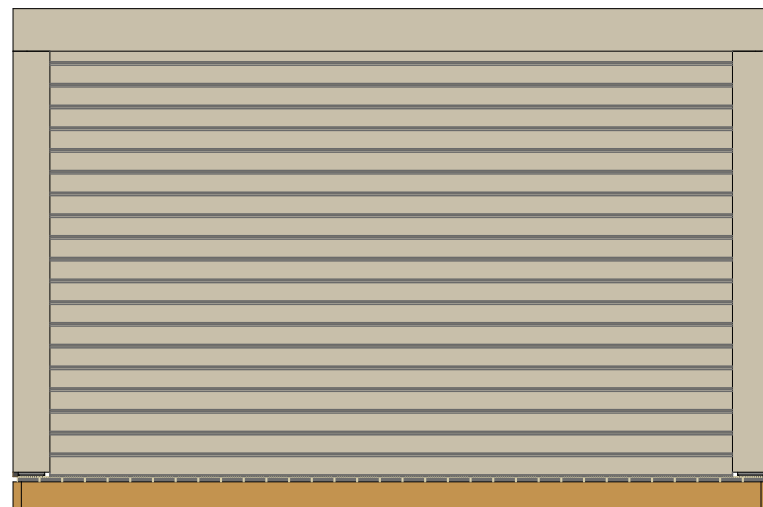
Back Elevation


1:40



Right Elevation

1:40



Windows and doors list							
Type-quality	Barcode	Wall Thickness	W x H Size	Orientation	Glazing	Quantity	3D Axonometry
Window - Economy	S18585	95	2 710×2 240		Single glazed	1	
Window - Economy	S18585	95	3 600×2 240		Single glazed	1	