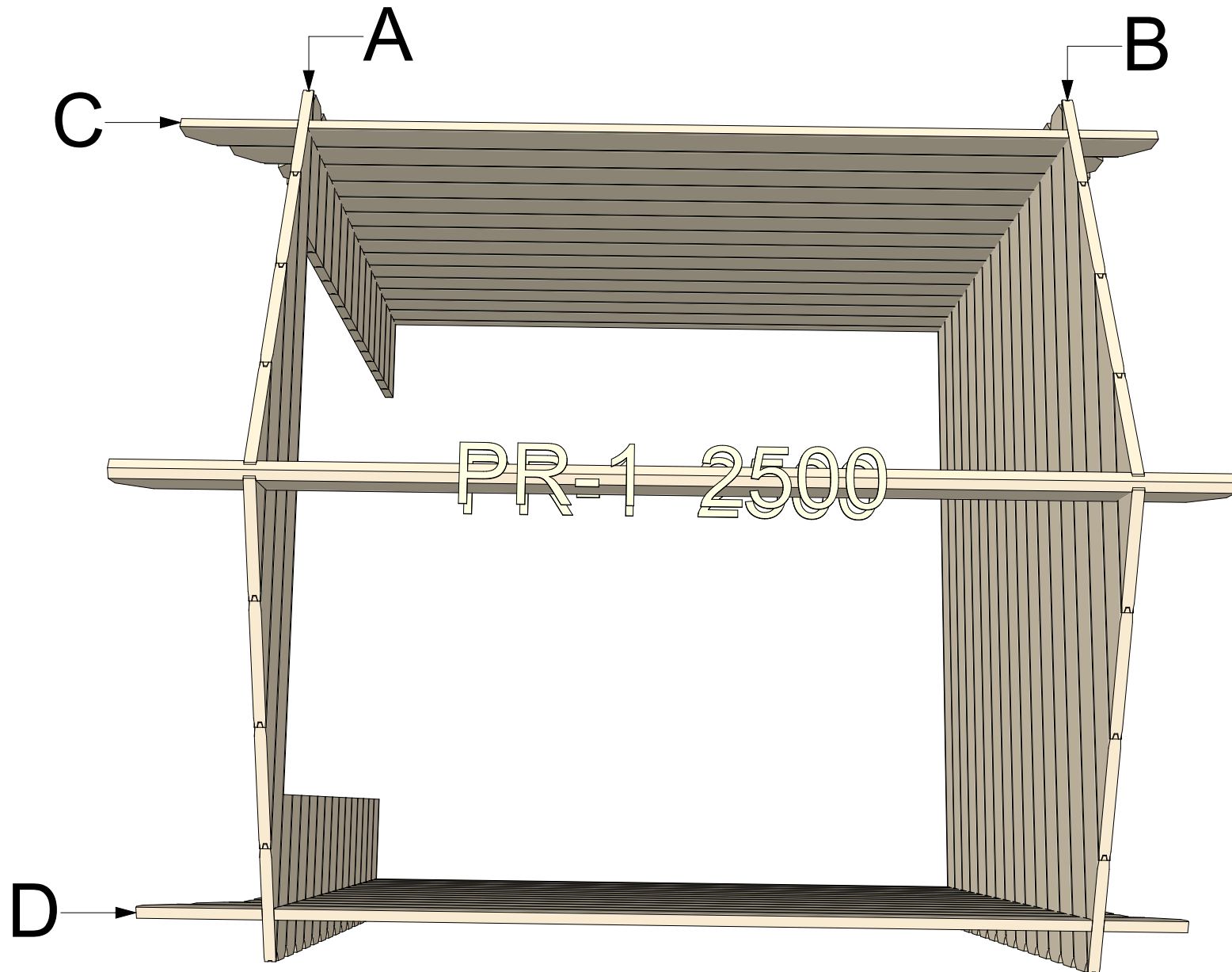




28 Bedford 2,2x2,2

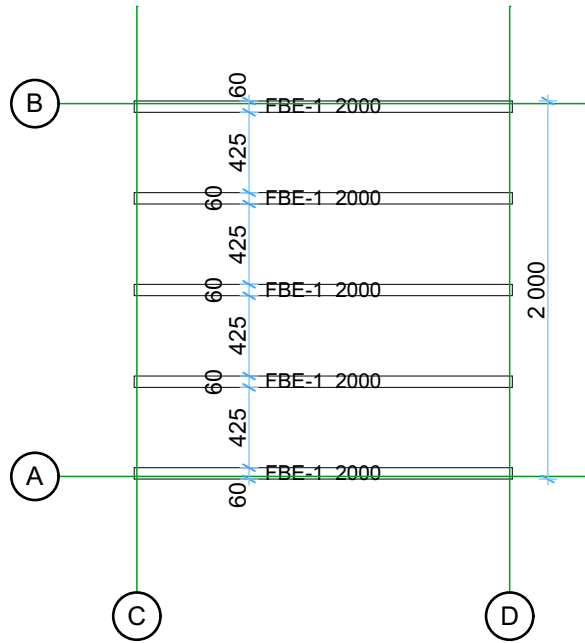
Walls and purlins positions



Thickness:	Project name:	Project ID:	Year:	Page:
28	Bedford	2,2x2,2	2021	2

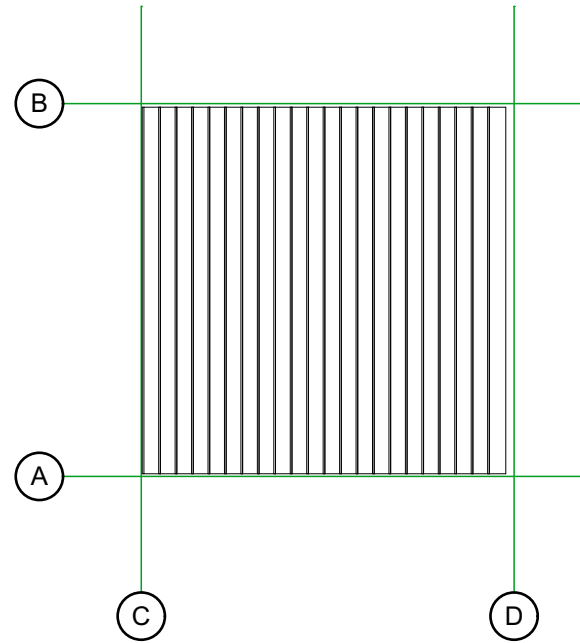
Floor bearers

1:40



Floor boards

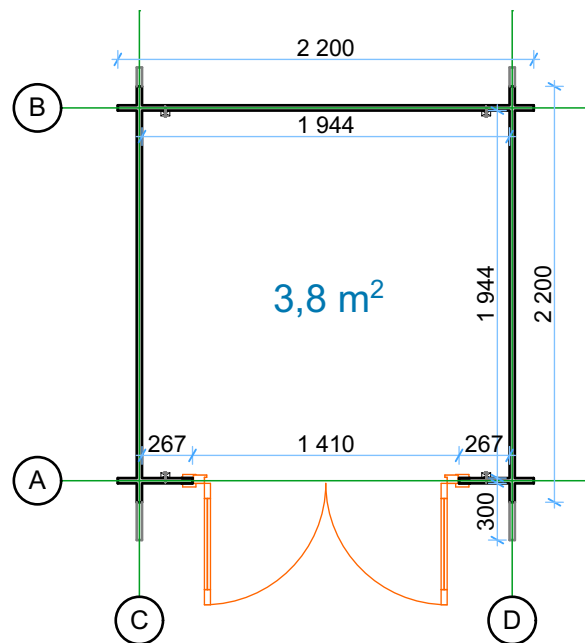
1:40



Thickness:	Project name:	Project ID:	Year:	Page:
28	Bedford	2,2x2,2	2021	3

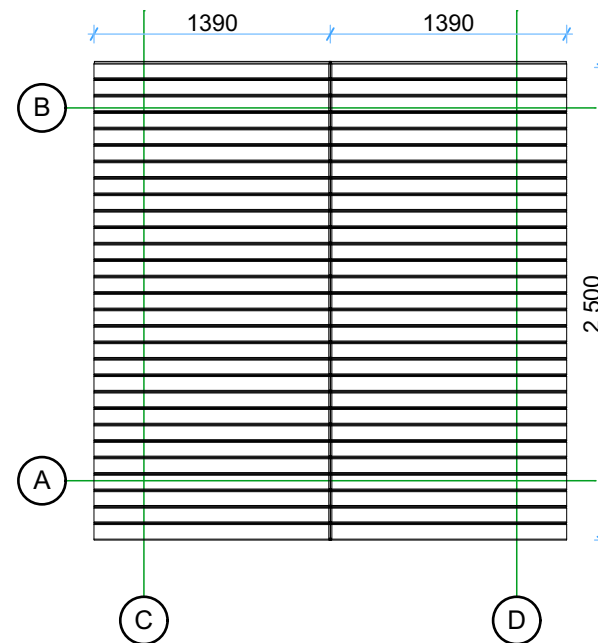
Ground floor plan

1:40



Roof boards

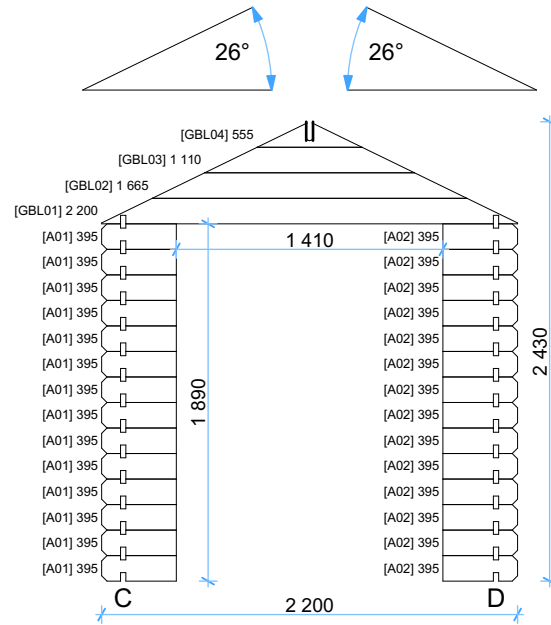
1:40



Thickness:	Project name:	Project ID:	Year:	Page:
28	Bedford	2,2x2,2	2021	4

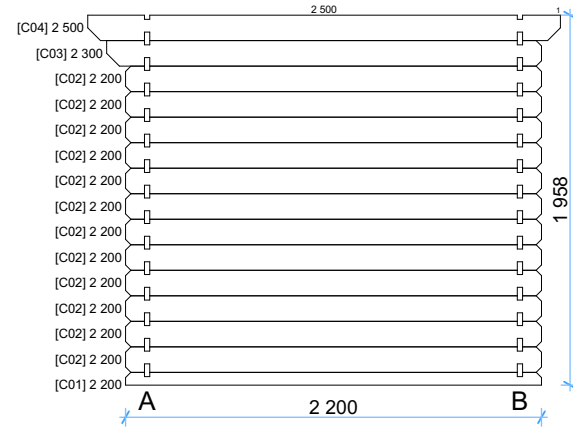
Wall A

1:40



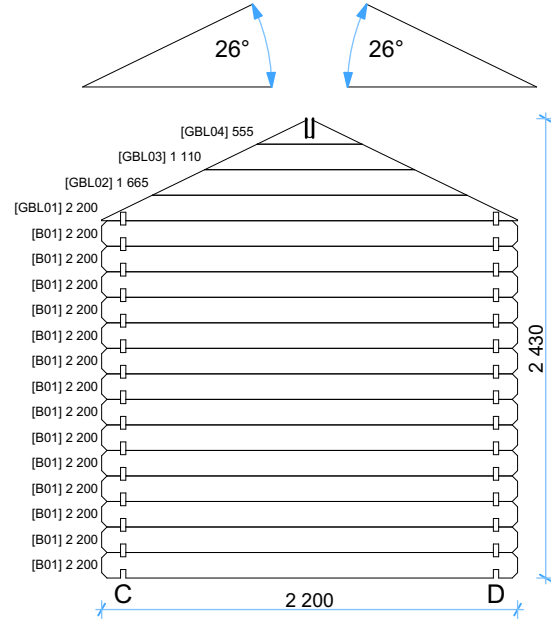
Wall C

1:40



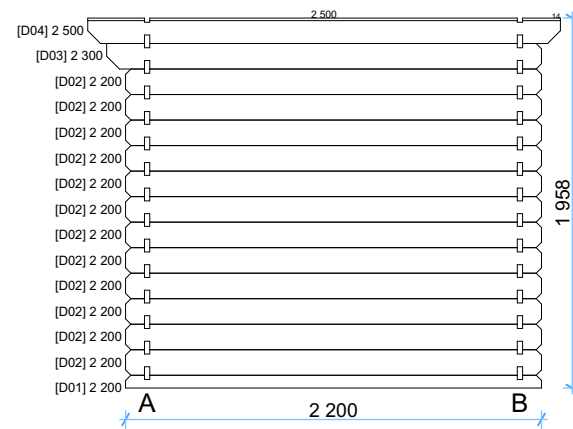
Wall B

1:40

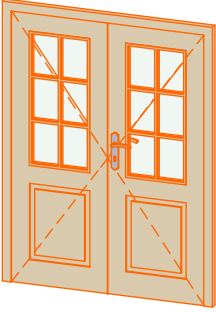


Wall D

1:40



Thickness:	Project name:	Project ID:	Year:	Page:
28	Bedford	2,2x2,2	2021	5

Windows and doors list							
Barcode	Type-quality	Wall Thickness	W x H Size	Orientation	Glazing	Quantity	3D Axonometry
<Undefined>	Door - Economy	28	1 400×1 850	R	50% glass, single glazed	1	

Thickness:	Project name:	Project ID:	Year:	Page:
28	Bedford	2,2x2,2	2021	6