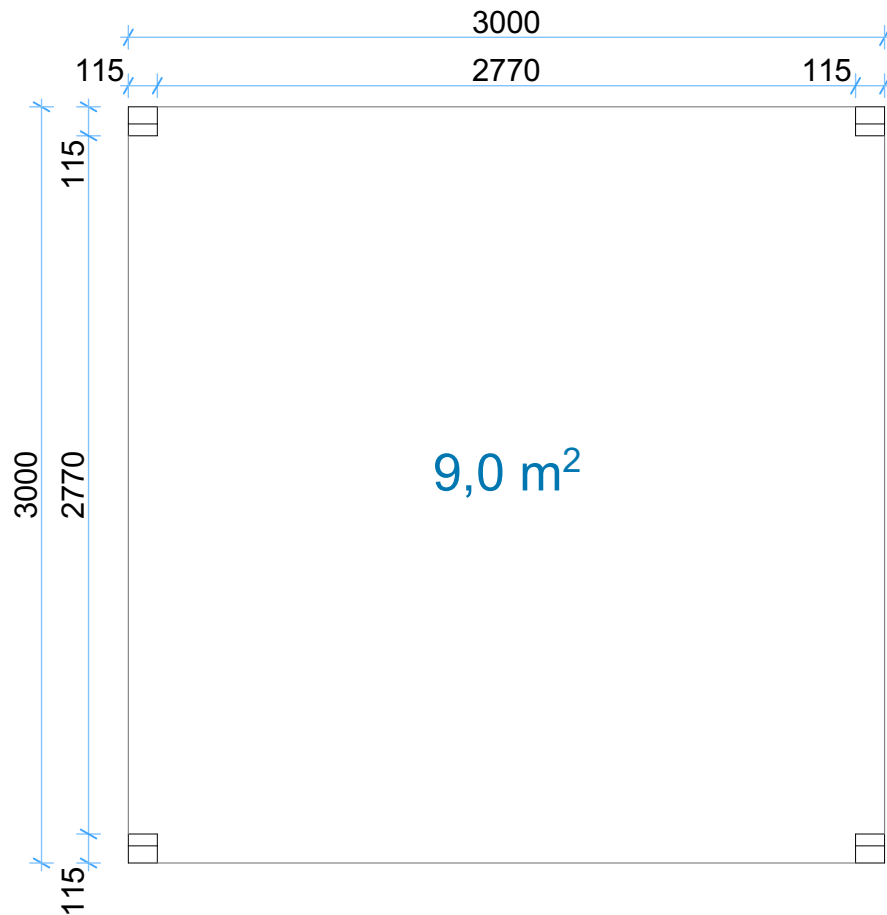




Pergola-Zulu

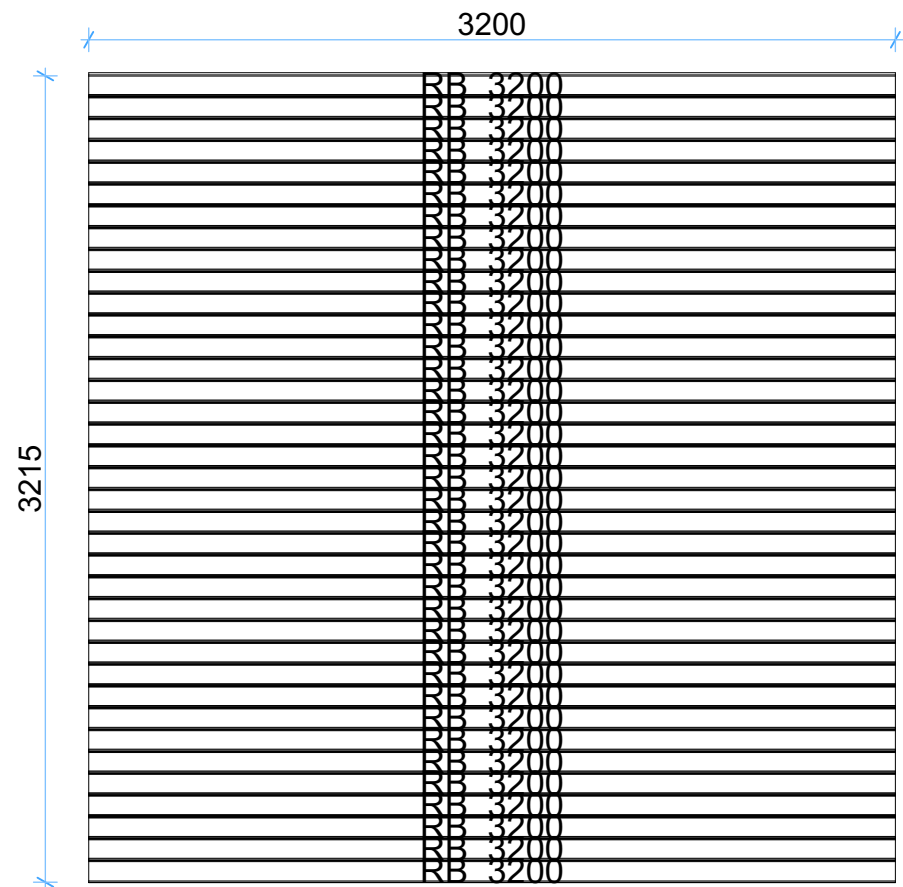
Floor boards

1:30



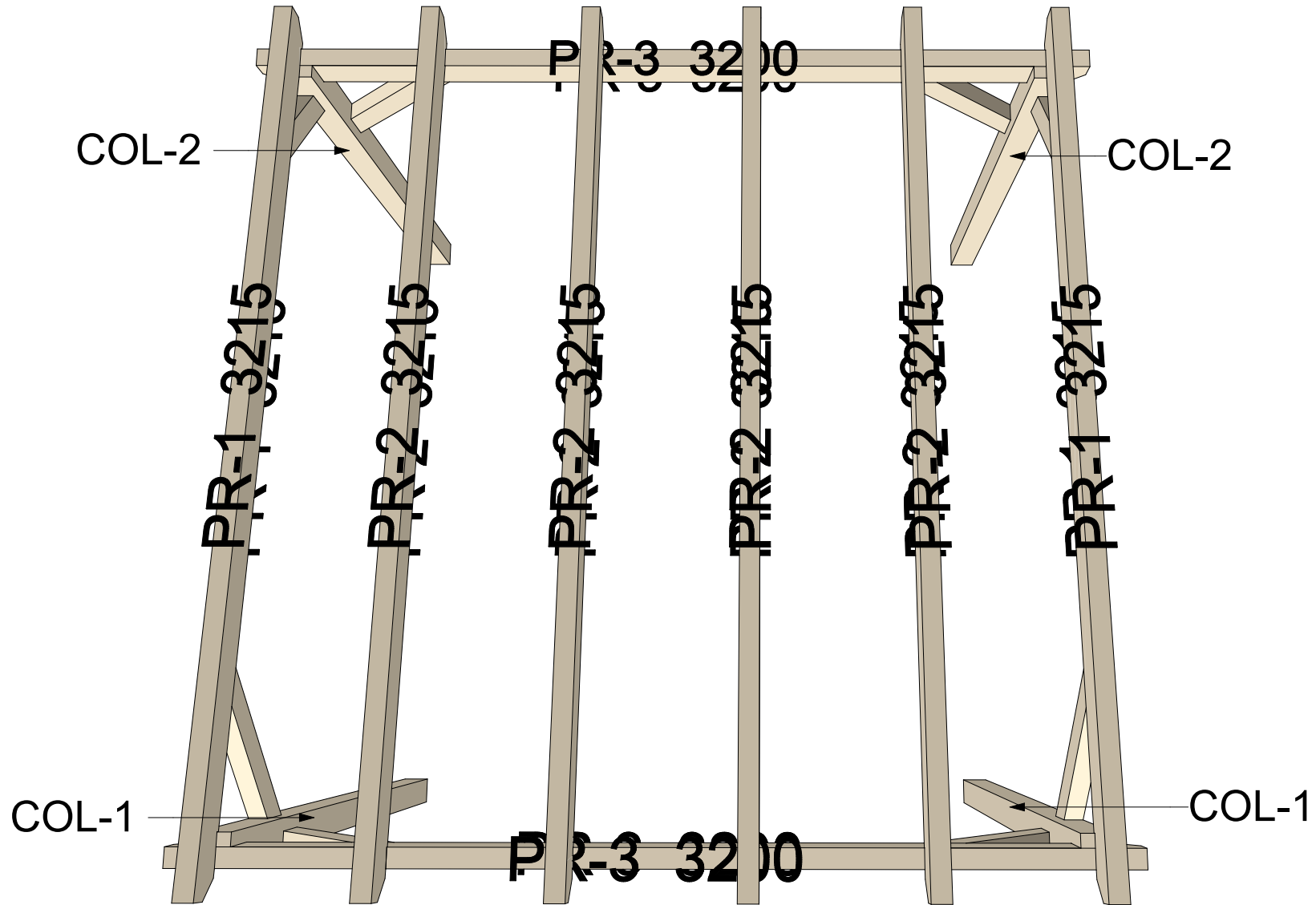
Roof boards

1:30



Thickness:	Project name:	Project ID:	Year:	Page:
	Pergola-Zulu		2024	2

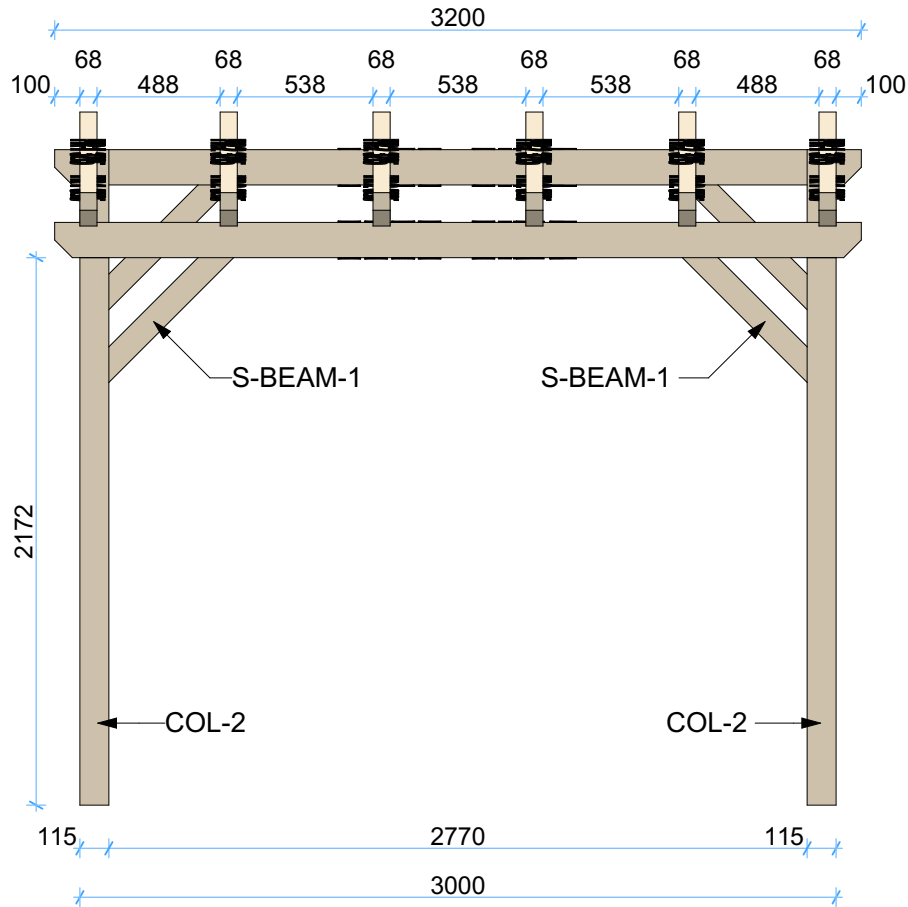
Purlins positions



Thickness:	Project name:	Project ID:	Year:	Page:
	Pergola-Zulu		2024	3

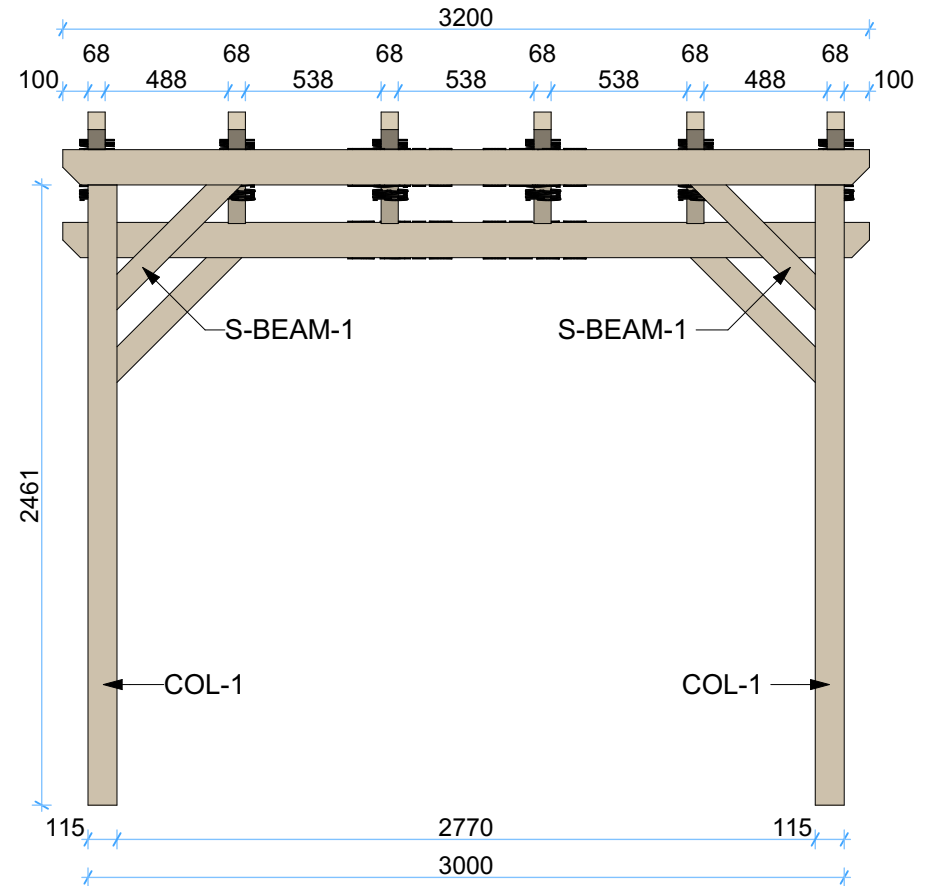
Back Elevation

1:30



Front Elevation

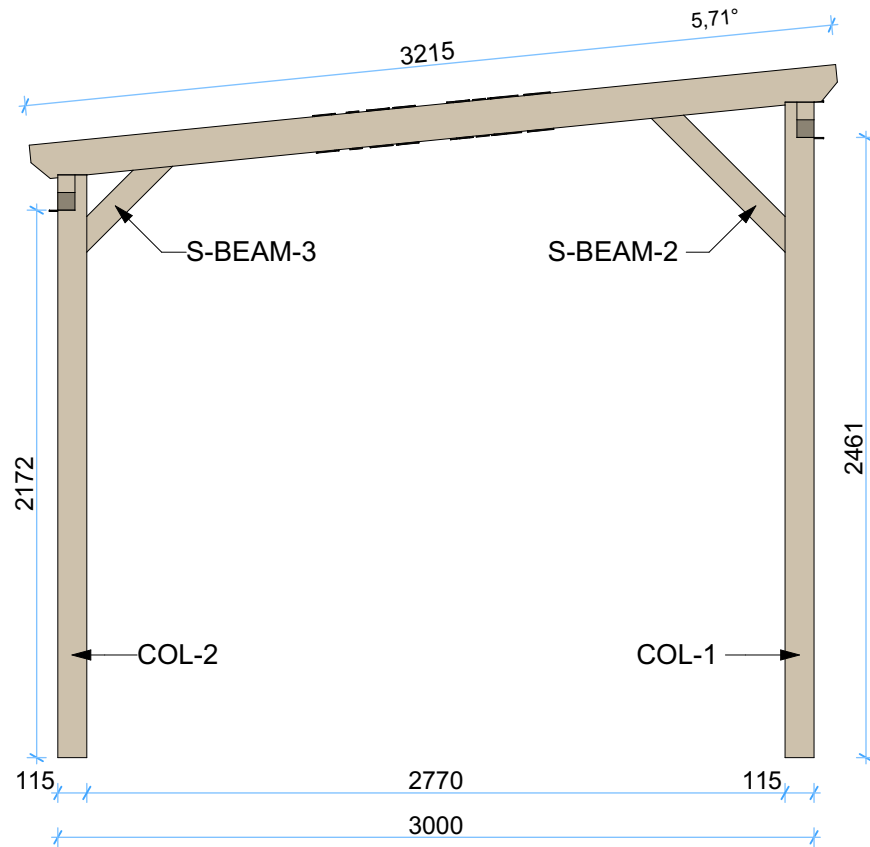
1:30



Thickness:	Project name:	Project ID:	Year:	Page:
	Pergola-Zulu		2024	4

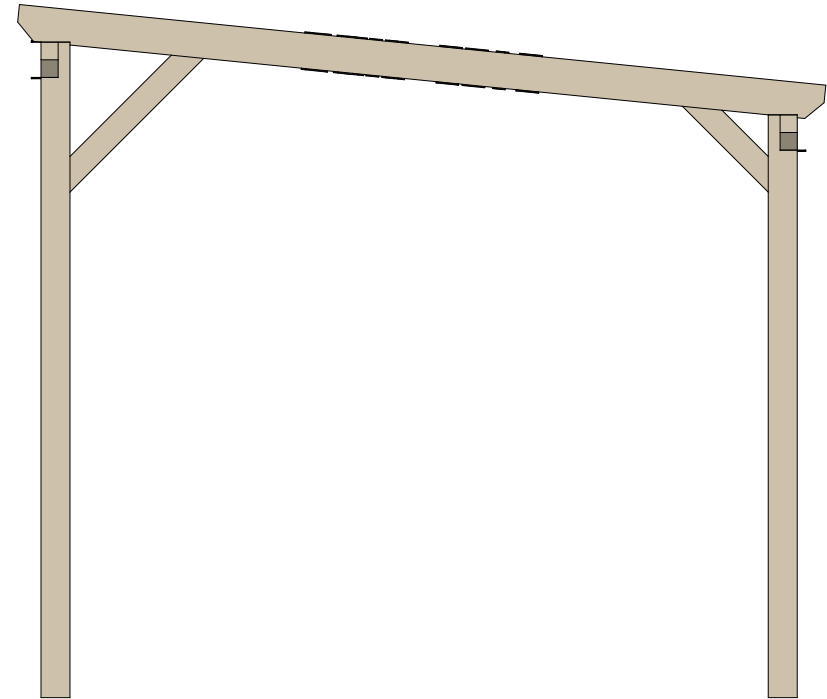
Left Elevation

1:30



Right Elevation

1:30



Thickness:	Project name:	Project ID:	Year:	Page:
	Pergola-Zulu		2024	5