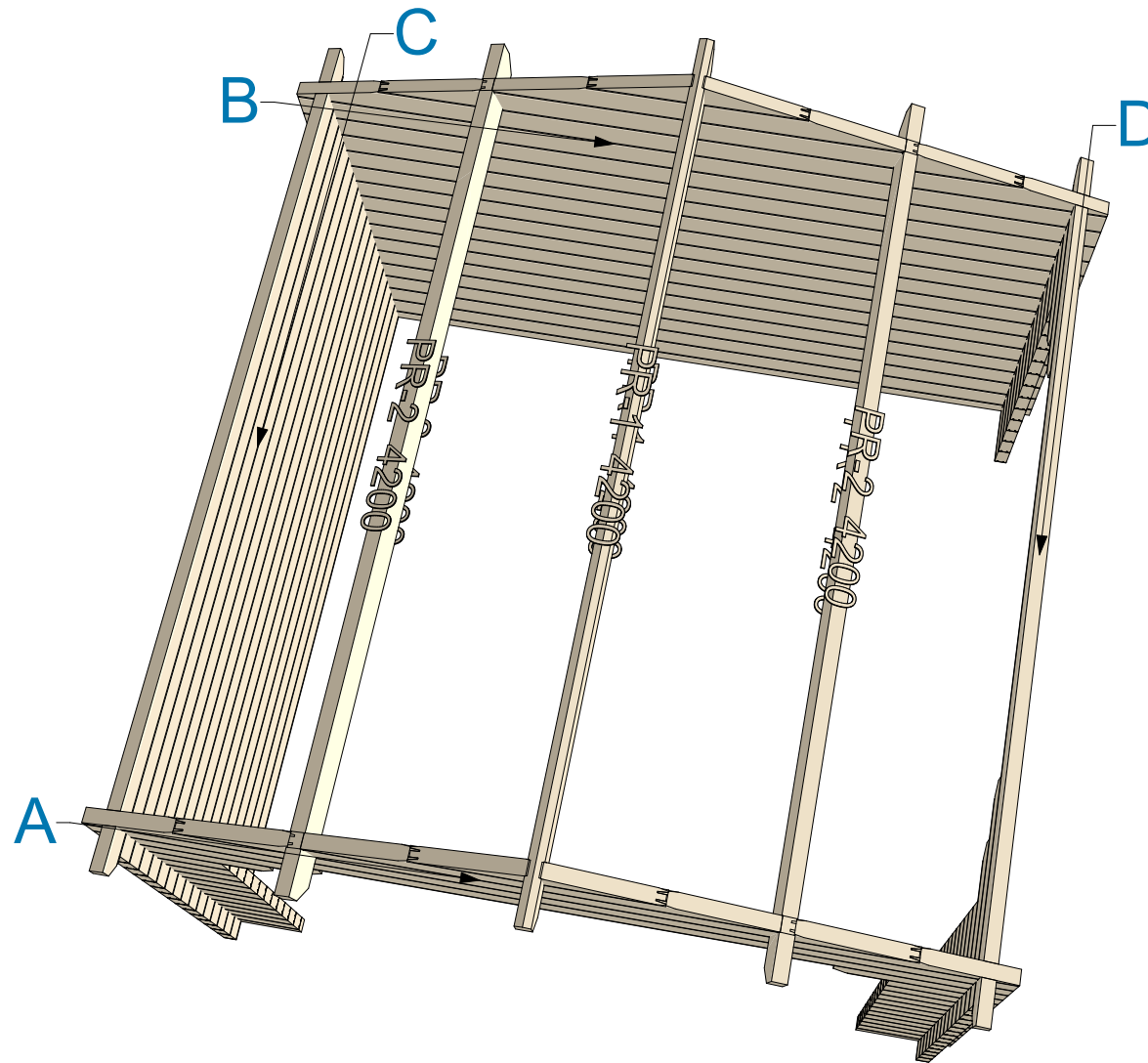




**68 Pergola-Haga**

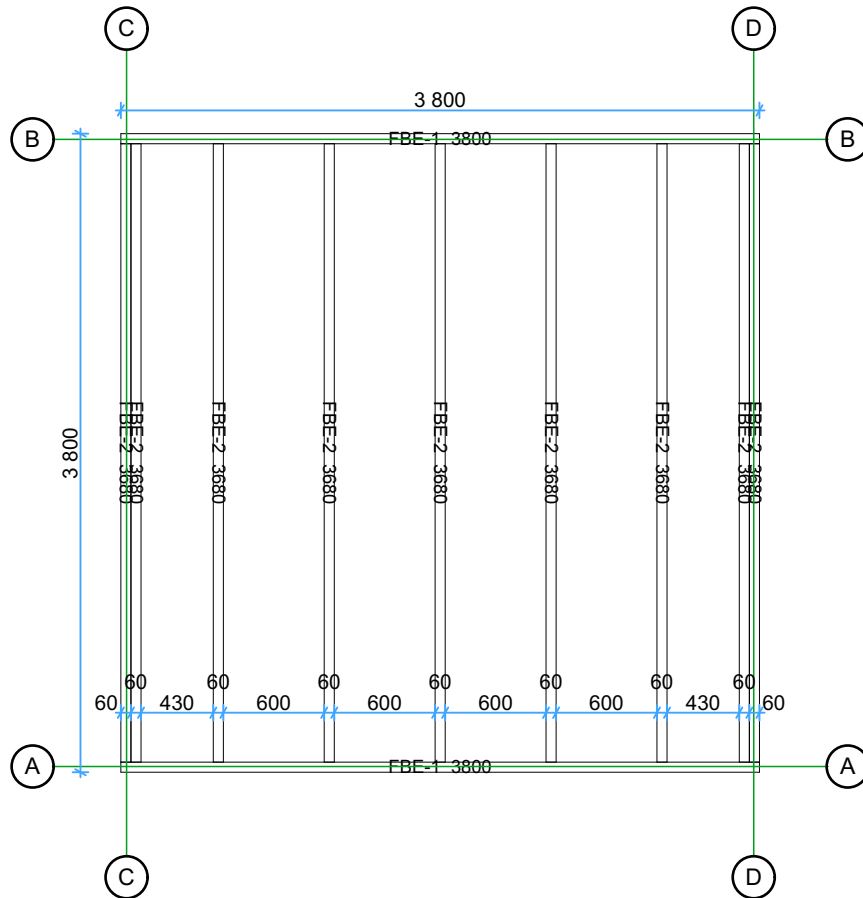
## Walls and purlins positions



Thickness:	Project name:	Project ID:	Year:	Page:
68	Pergola-Haga		2024	2

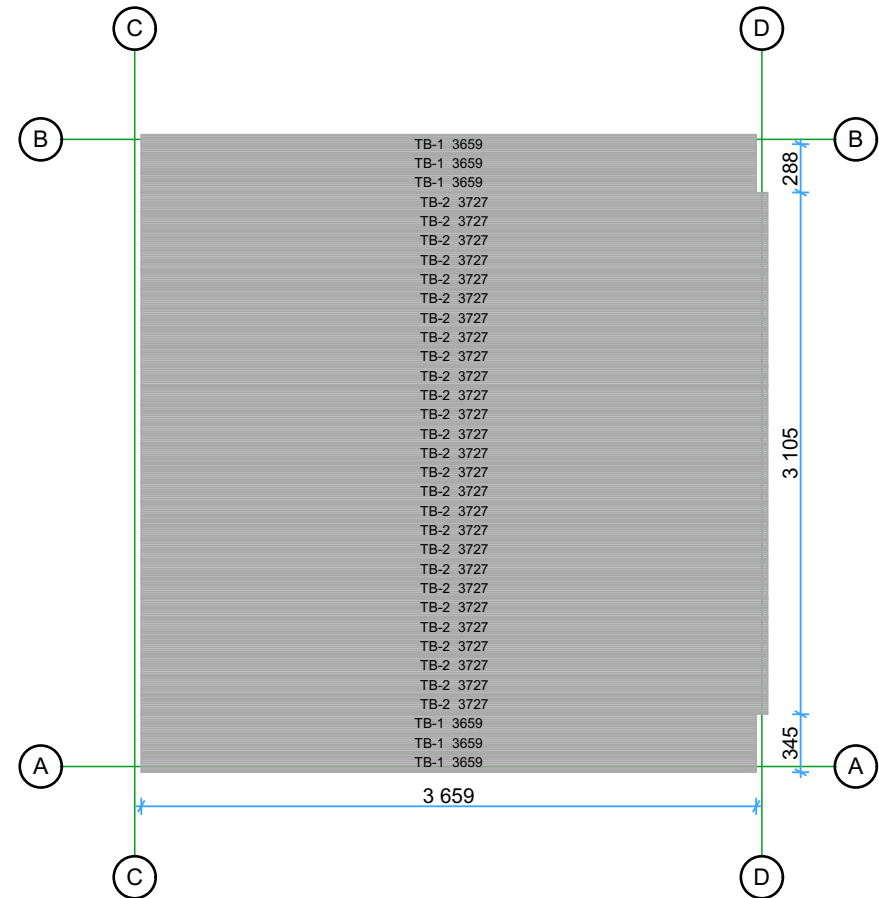
Floor bearer

1:45



Floor boards

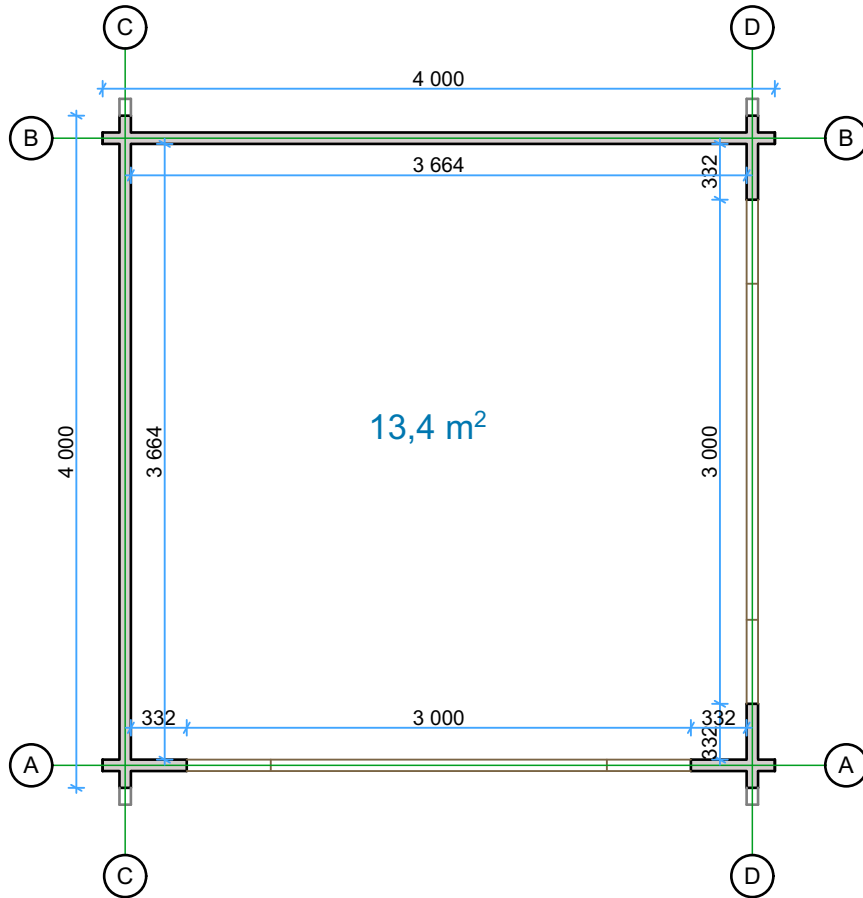
1:45



Thickness:	Project name:	Project ID:	Year:	Page:
68	Pergola-Haga		2024	3

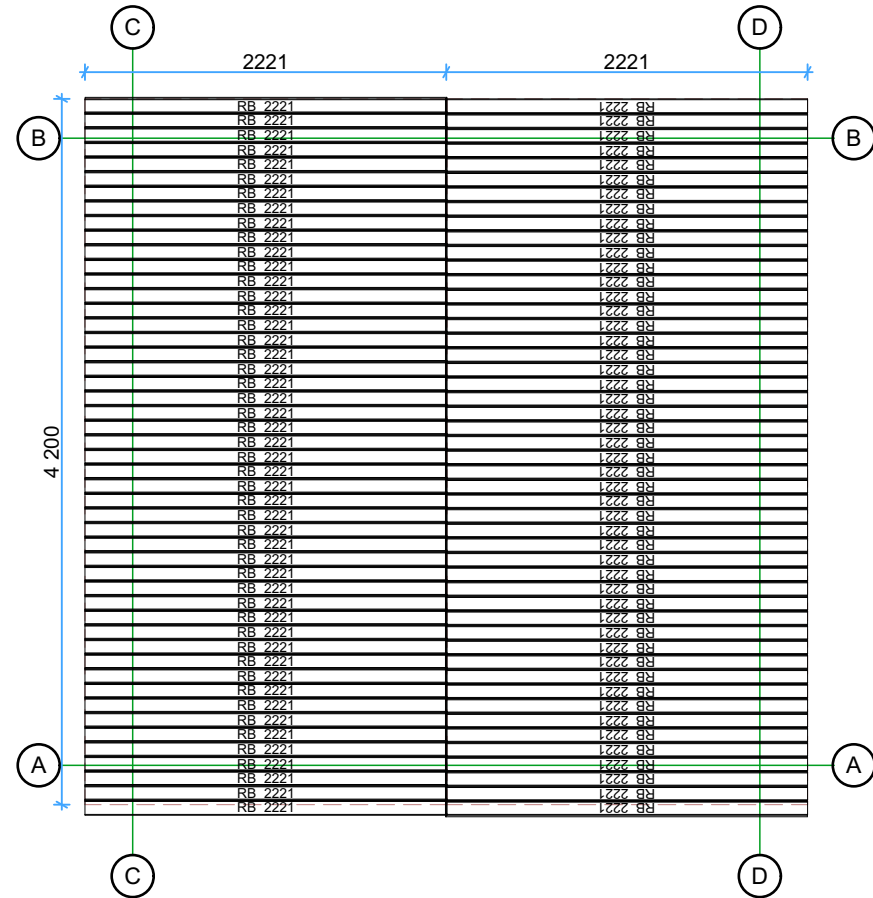
Ground Floor plan

1:45



Roof boards

1:45

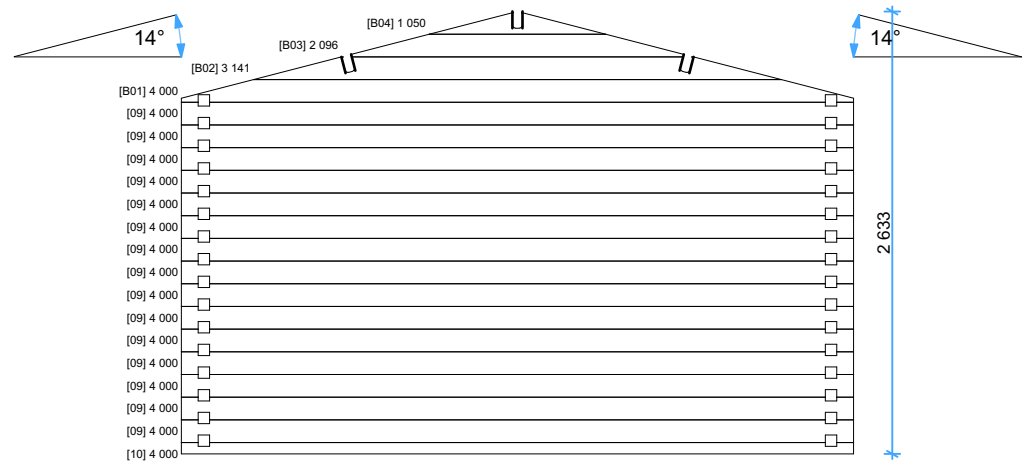
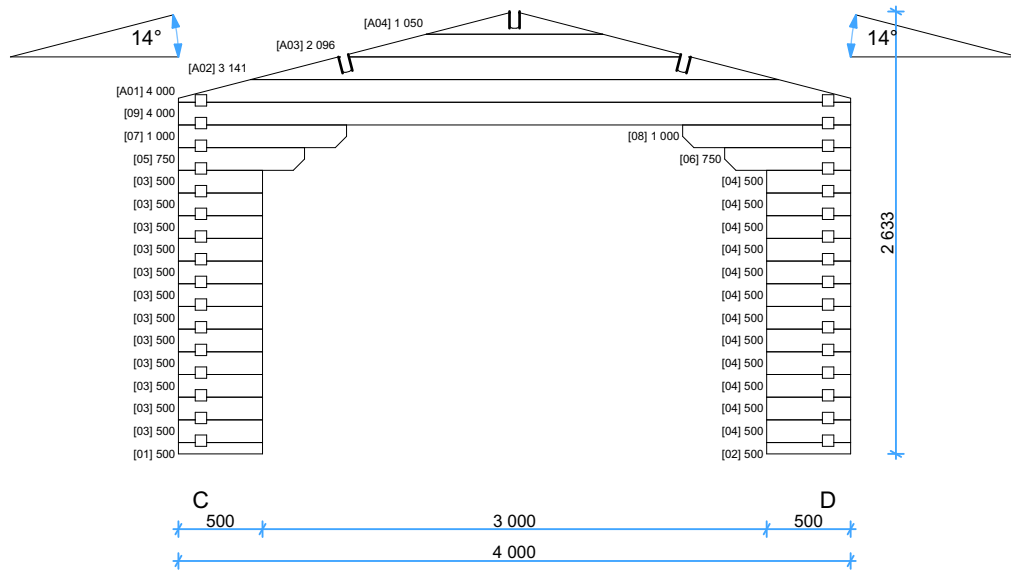


Thickness:	Project name:	Project ID:	Year:	Page:
68	Pergola-Haga		2024	4

# Wall A

# 1:45 Wall B

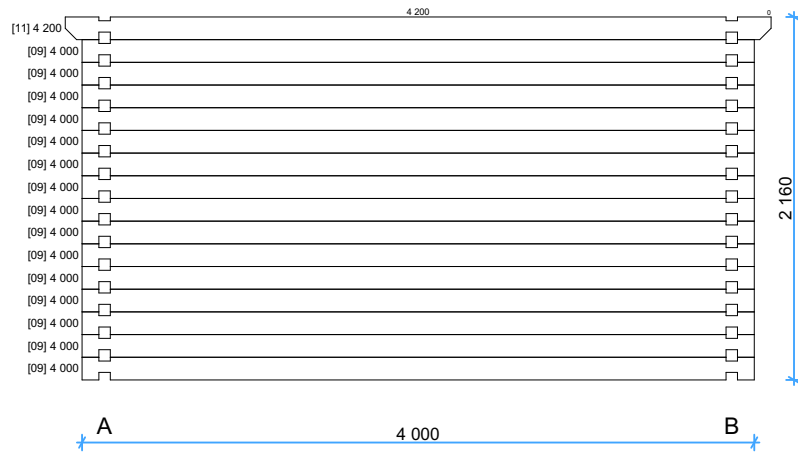
# 1:45



Thickness:	Project name:	Project ID:	Year:	Page:
68	Pergola-Haga		2024	5

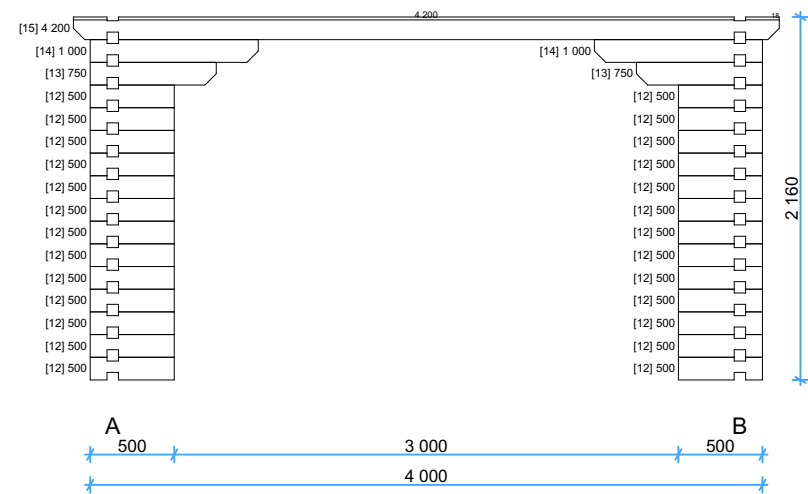
### Wall C

1:45



### Wall D

1:45



Thickness:	Project name:	Project ID:	Year:	Page:
68	Pergola-Haga		2024	6