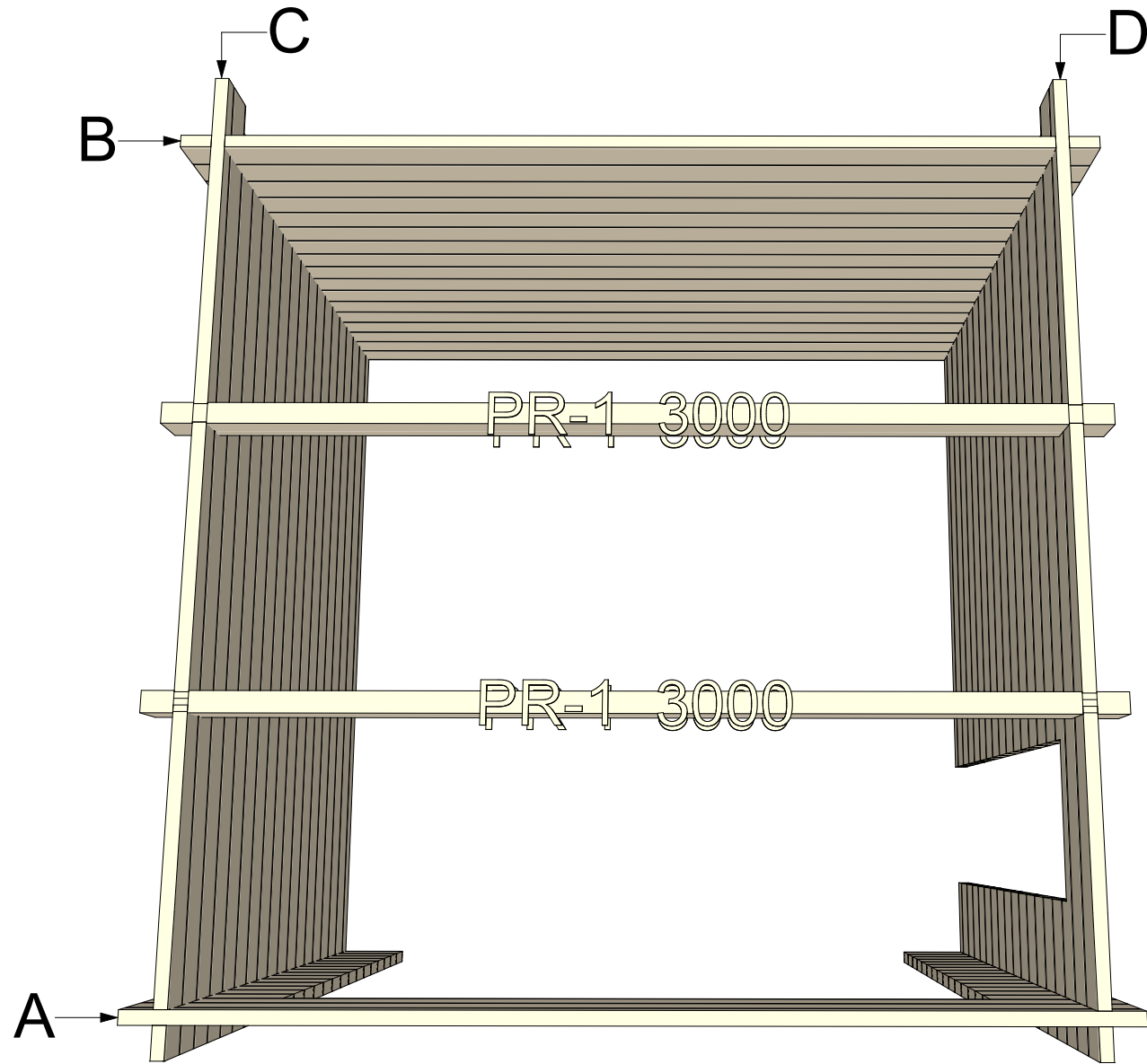




44 Togo 3x3

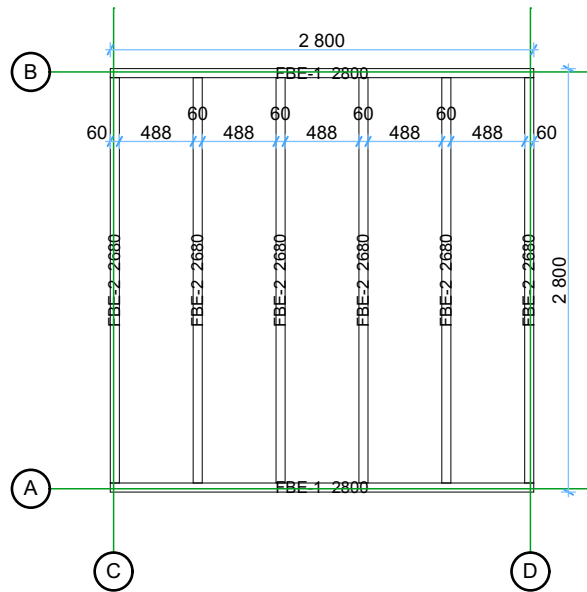
Walls and purlins positions



Thickness:	Project name:	Project ID:	Year:	Page:
44	Togo	3x3	2022	2

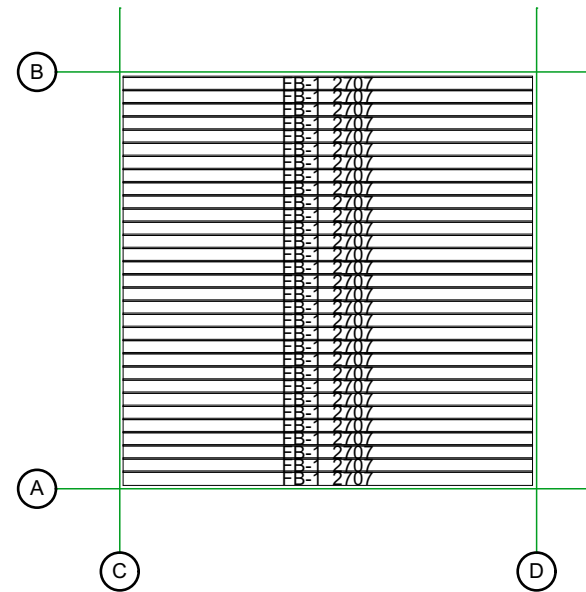
Floor bearers

1:50



Floor boards

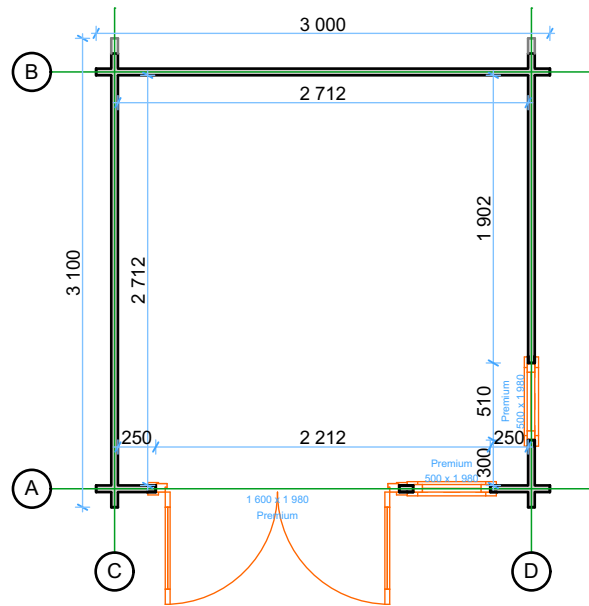
1:50



Thickness:	Project name:	Project ID:	Year:	Page:
44	Togo	3x3	2022	3

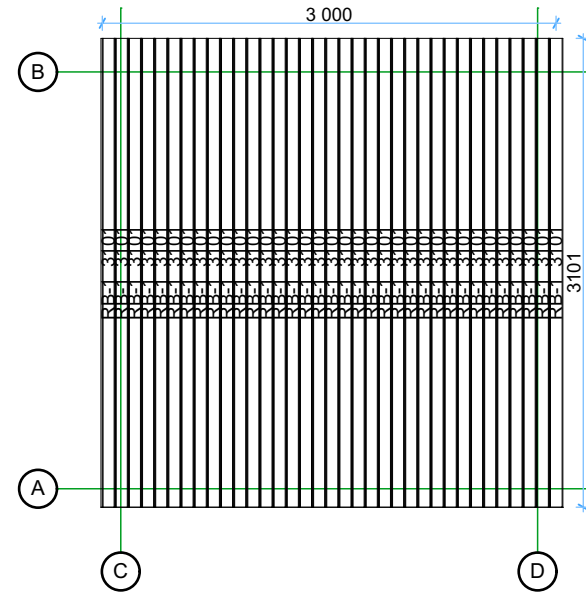
Ground floor plan

1:50



Roof boards

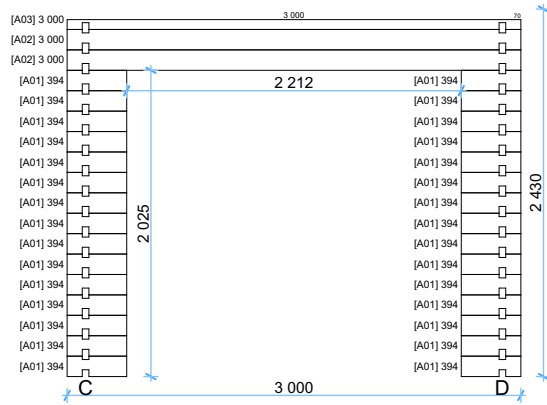
1:50



Thickness:	Project name:	Project ID:	Year:	Page:
44	Togo	3x3	2022	4

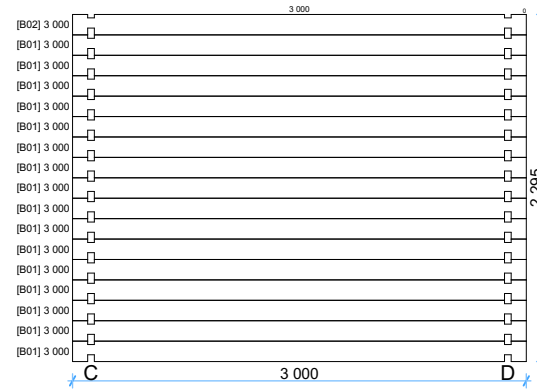
Wall A

1:50



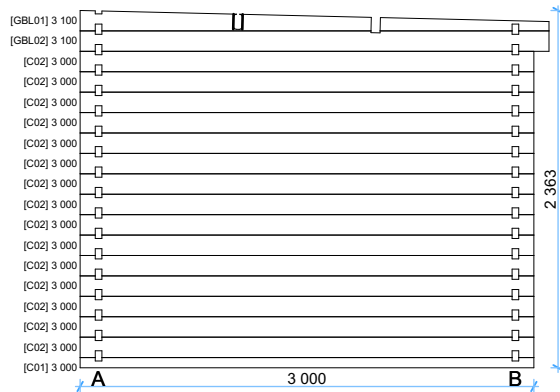
Wall B

1:50



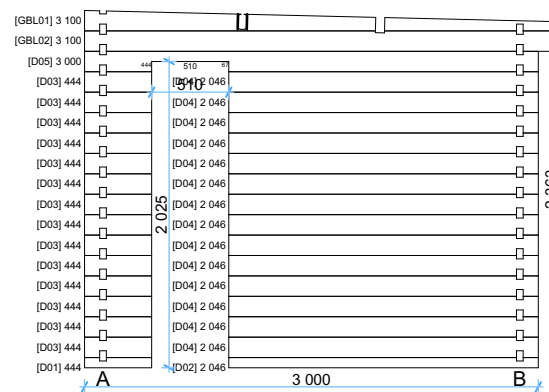
Wall C

1:50

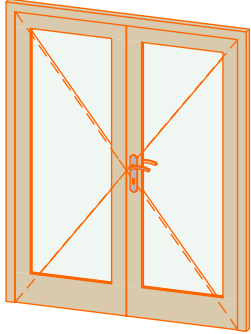
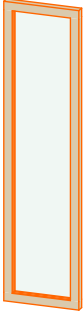


Wall D

1:50

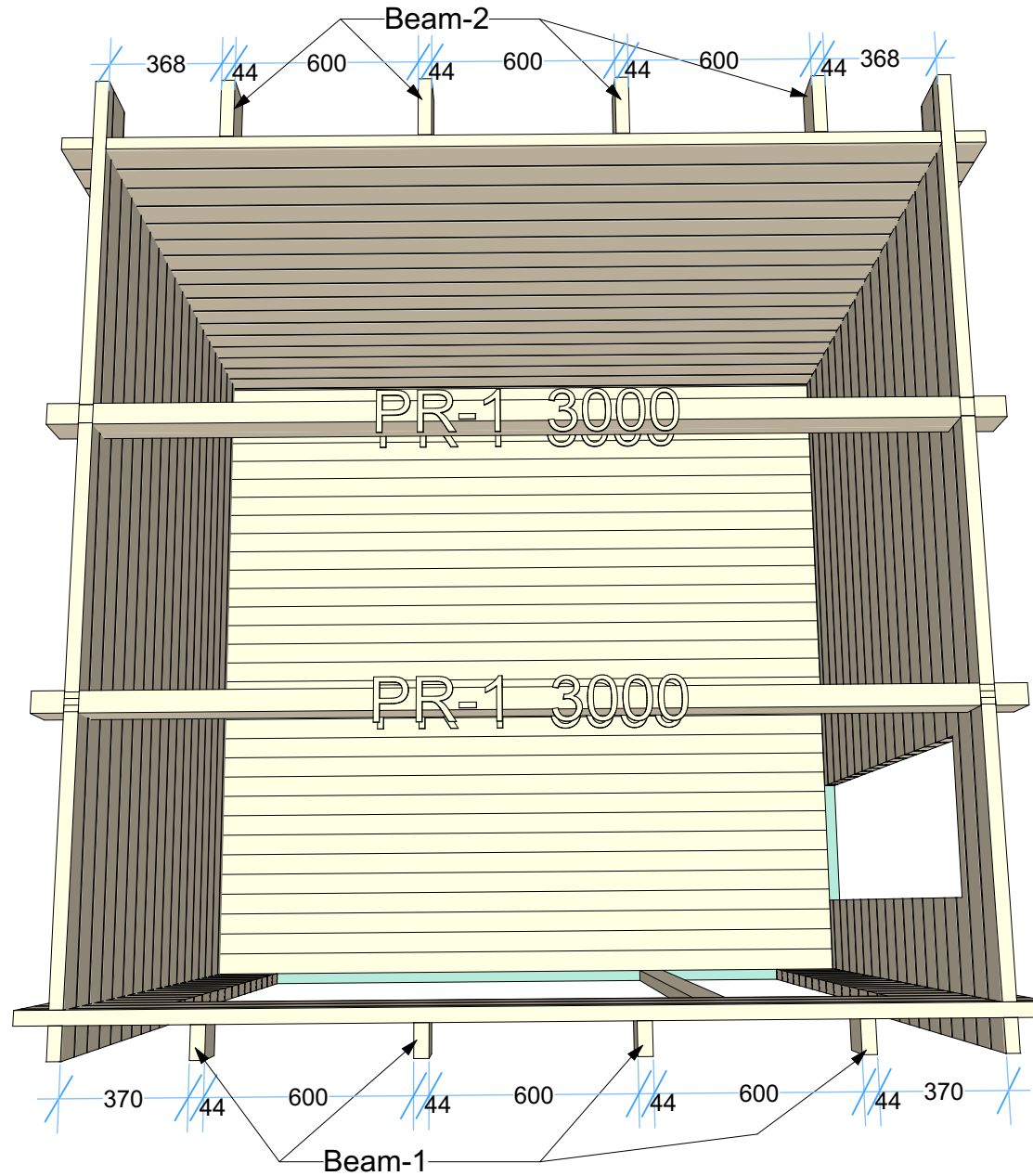


Thickness:	Project name:	Project ID:	Year:	Page:
44	Togo	3x3	2022	5

Windows and doors list						
Type-quality	Barcode	W x H Size	Orientation	Glazing	Quantity	3D Axonometry
Door - Premium	PP198160-3	1 600×1 980	R	100%, double glazed	1	
Window - Premium	PP19850	500×1 980		Double glazed	2	

Thickness:	Project name:	Project ID:	Year:	Page:
44	Togo	3x3	2022	6

Beam distances



Thickness:	Project name:	Project ID:	Year:	Page:
44	Togo	3x3	2022	7