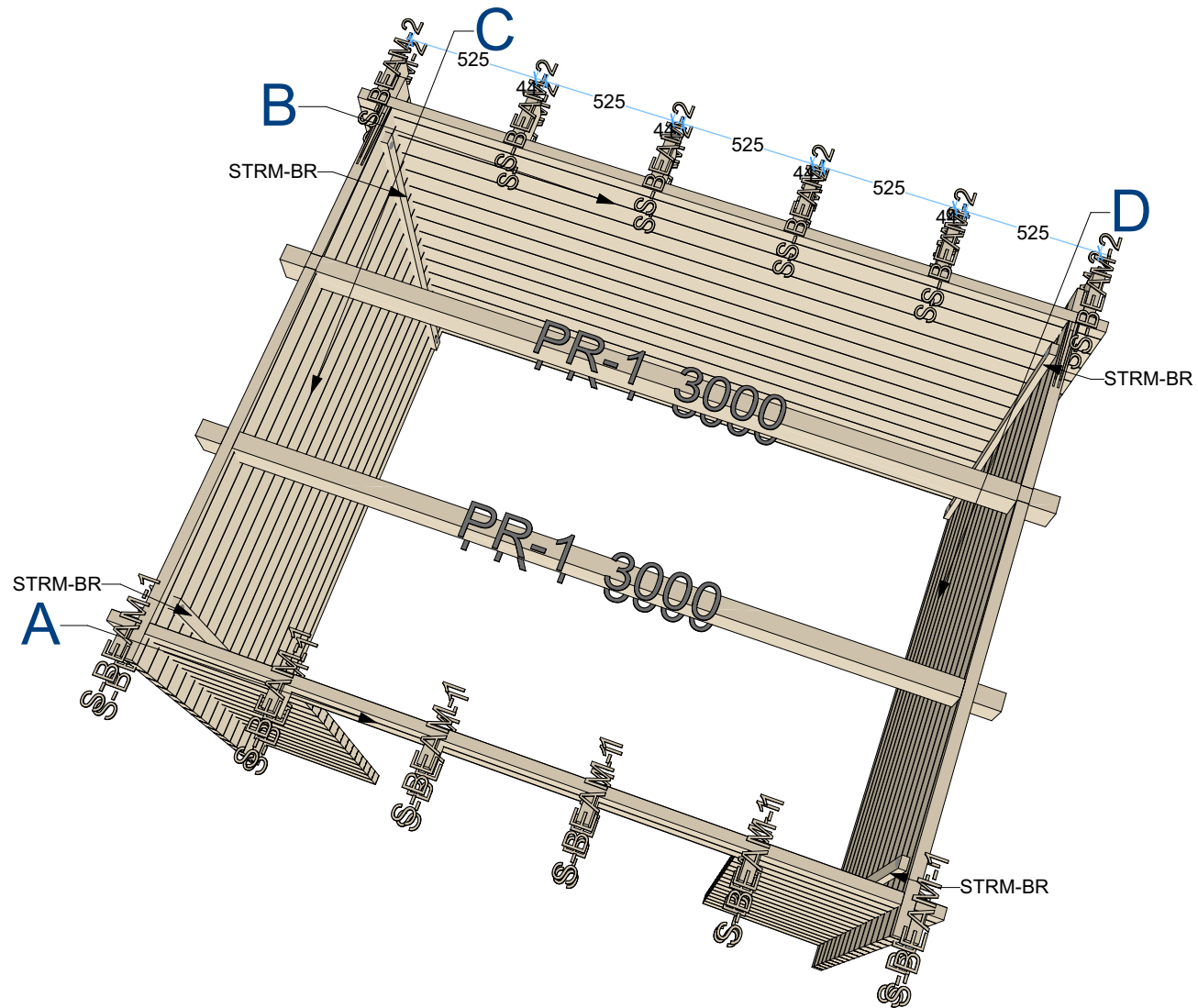




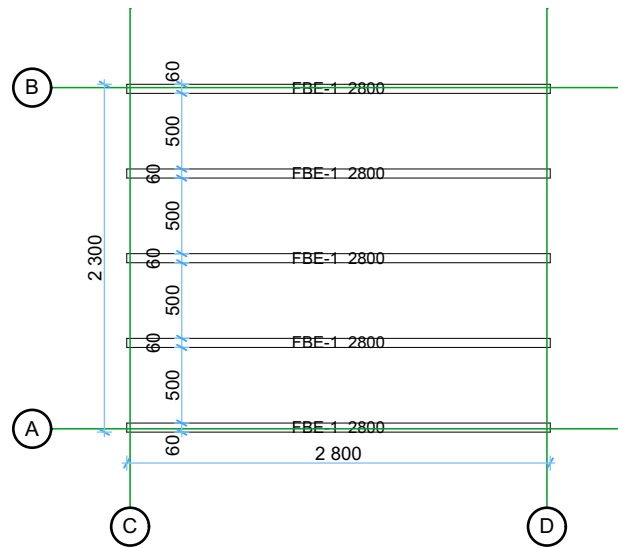
**44 Eric 3x2,5 no canopy v.2**

# Walls and purlins positions

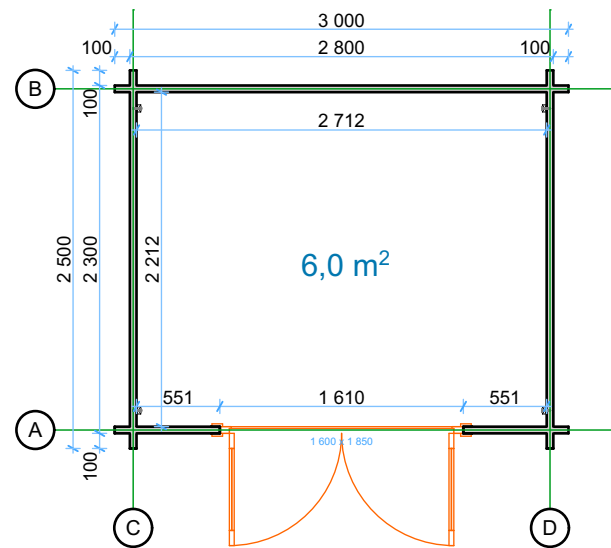


Thickness:	Project name:	Project ID:	Year:	Page:
44	Eric 3x2,5 no canopy	v.2	2024	2

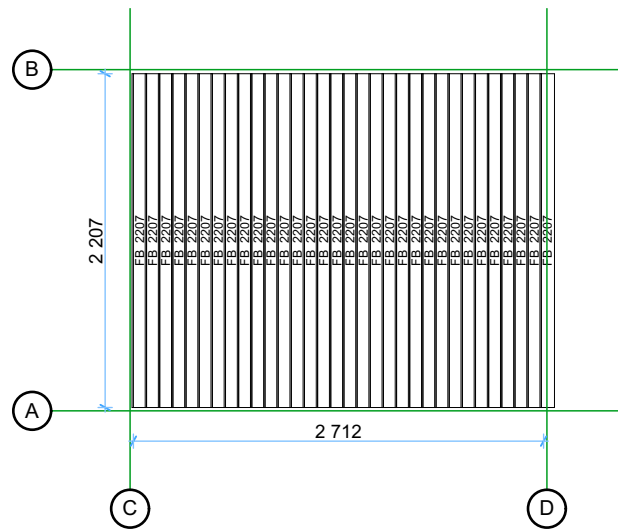
Floor bearers 1:50



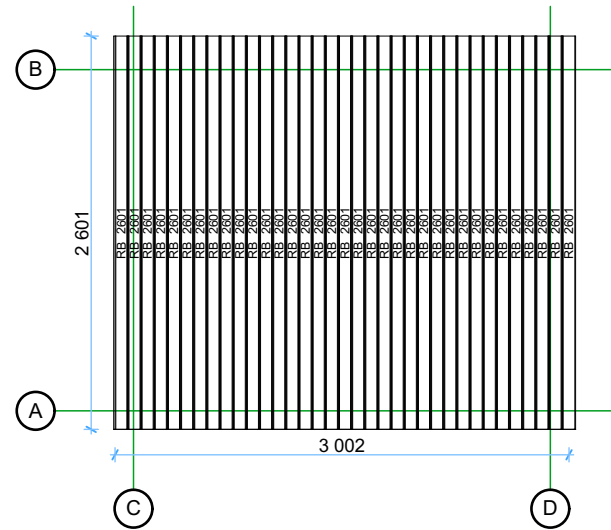
Ground floor plan 1:50



Floor boards 1:50



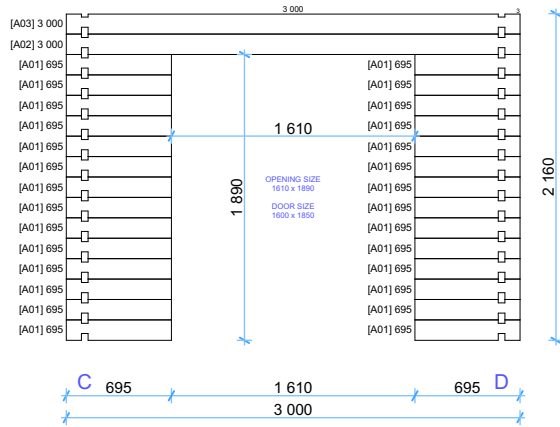
Roof boards 1:50



Thickness:	Project name:	Project ID:	Year:	Page:
44	Eric 3x2,5 no canopy	v.2	2024	3

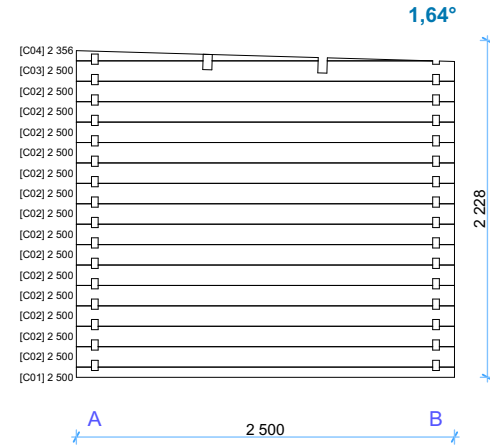
Wall A

1:50



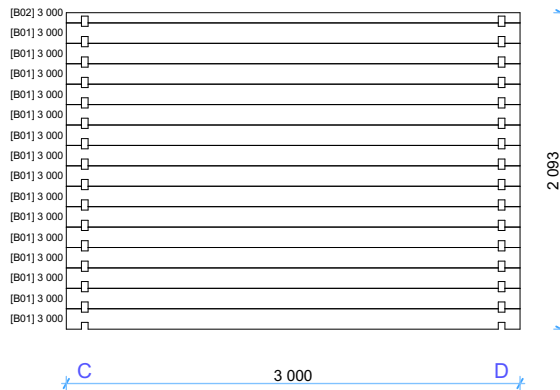
Wall C

1:50



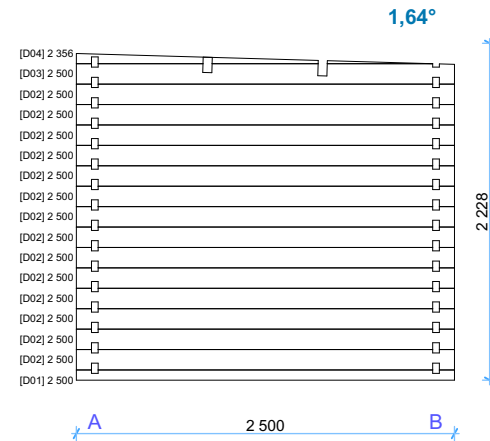
Wall B

1:50

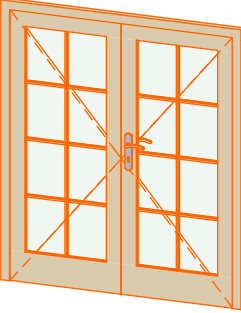


Wall D

1:50



Thickness:	Project name:	Project ID:	Year:	Page:
44	Eric 3x2,5 no canopy	v.2	2024	4

44 Eric 3x2,5 no canopy v.2 windows and doors list							
Barcode	Type-quality	Wall Thickness	W x H Size	Orientation	Glazing	Quantity	3D Axonometry
EP185160-3	Door - Economy	44	1 600x1 850	R	100% glass, double glazed	1	

Thickness:	Project name:	Project ID:	Year:	Page:
44	Eric 3x2,5 no canopy	v.2	2024	5