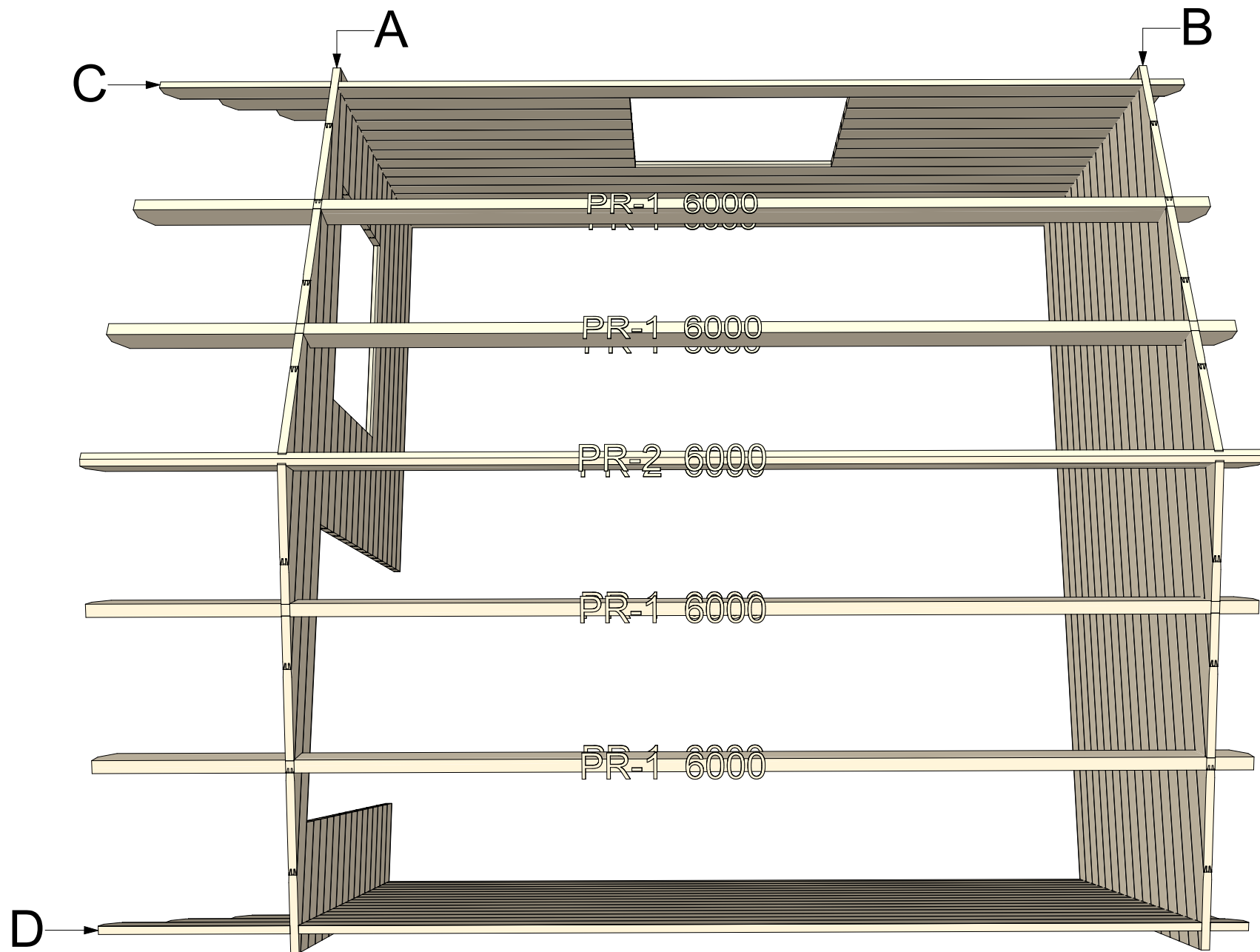




44 Linus 5x5 v.1

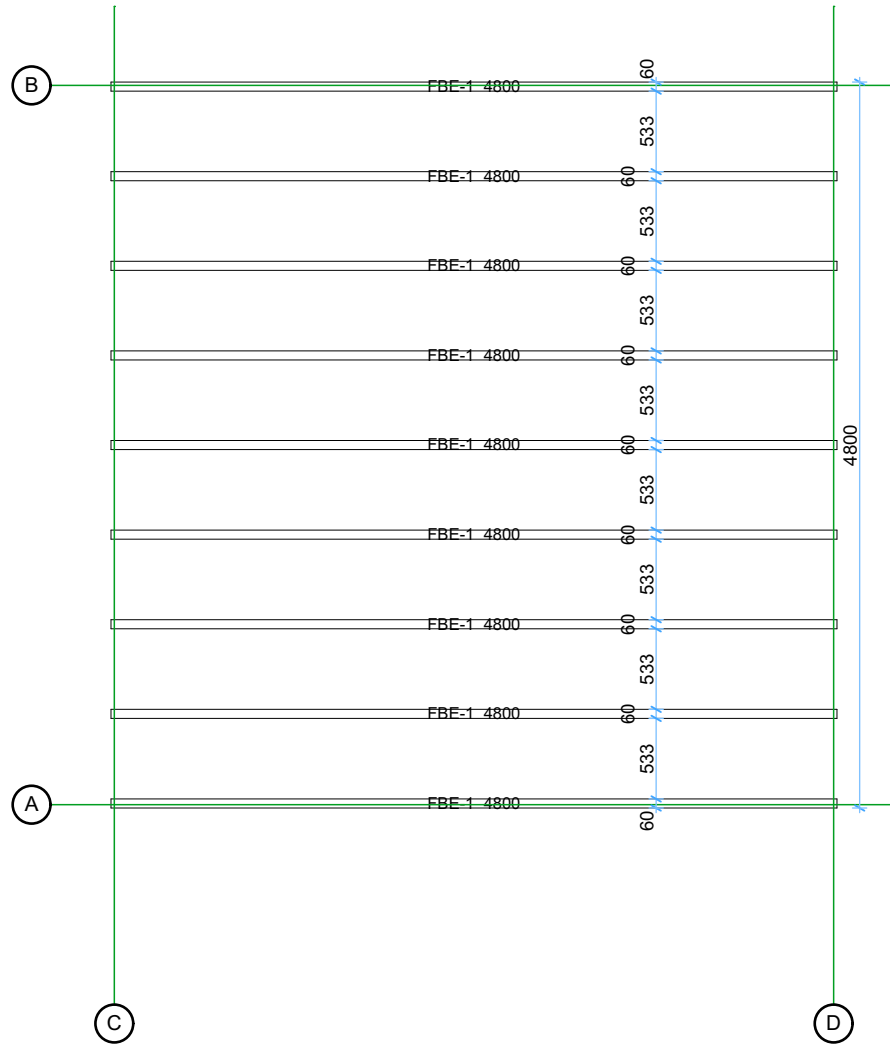
Walls and purlins positions



Thickness:	Project name:	Project ID:	Year:	Page:
44	Linus 5x5	v.1	2022	2

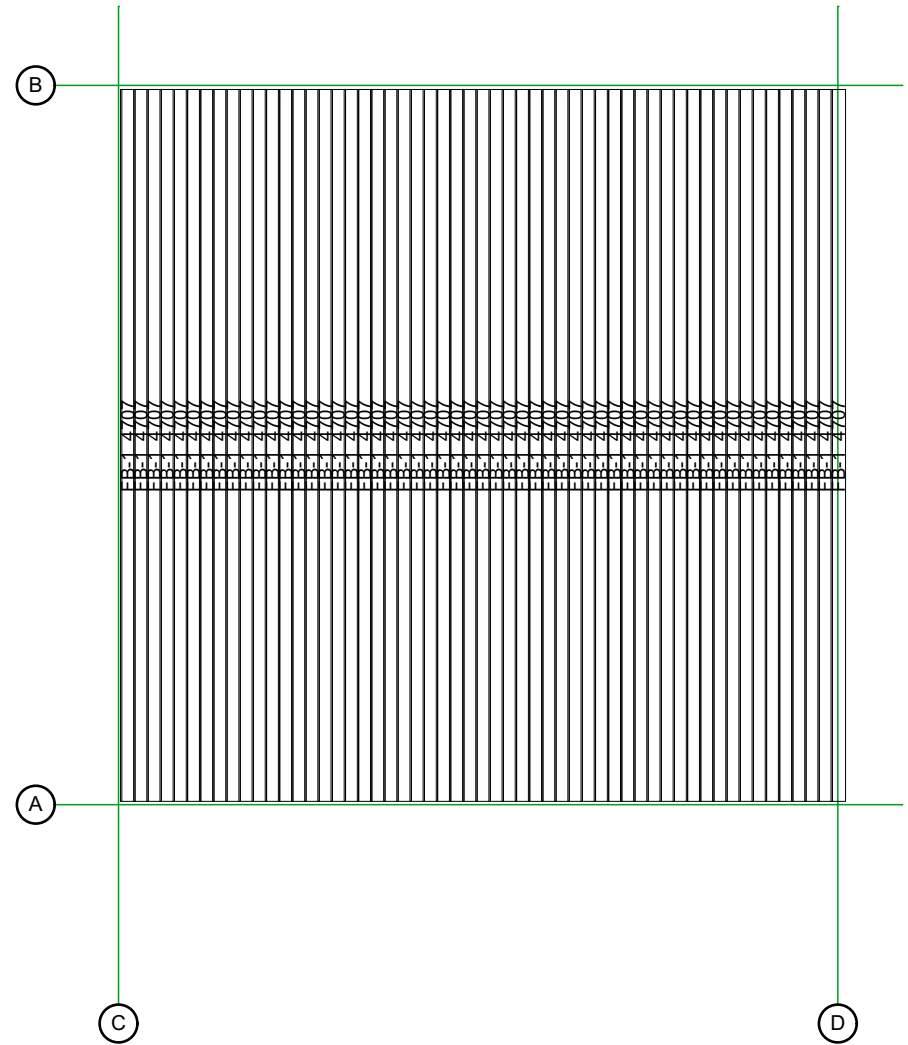
Floor bearers

1:50



Floor boards

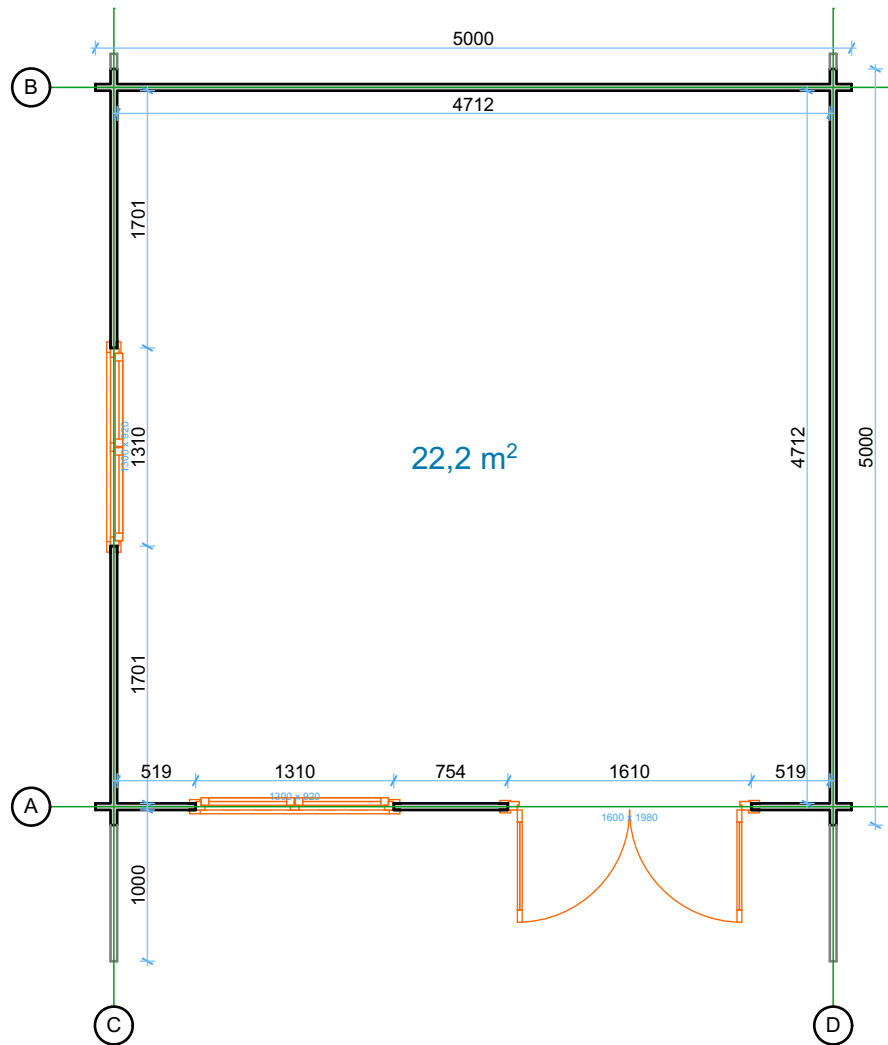
1:50



Thickness:	Project name:	Project ID:	Year:	Page:
44	Linus 5x5	v.1	2022	3

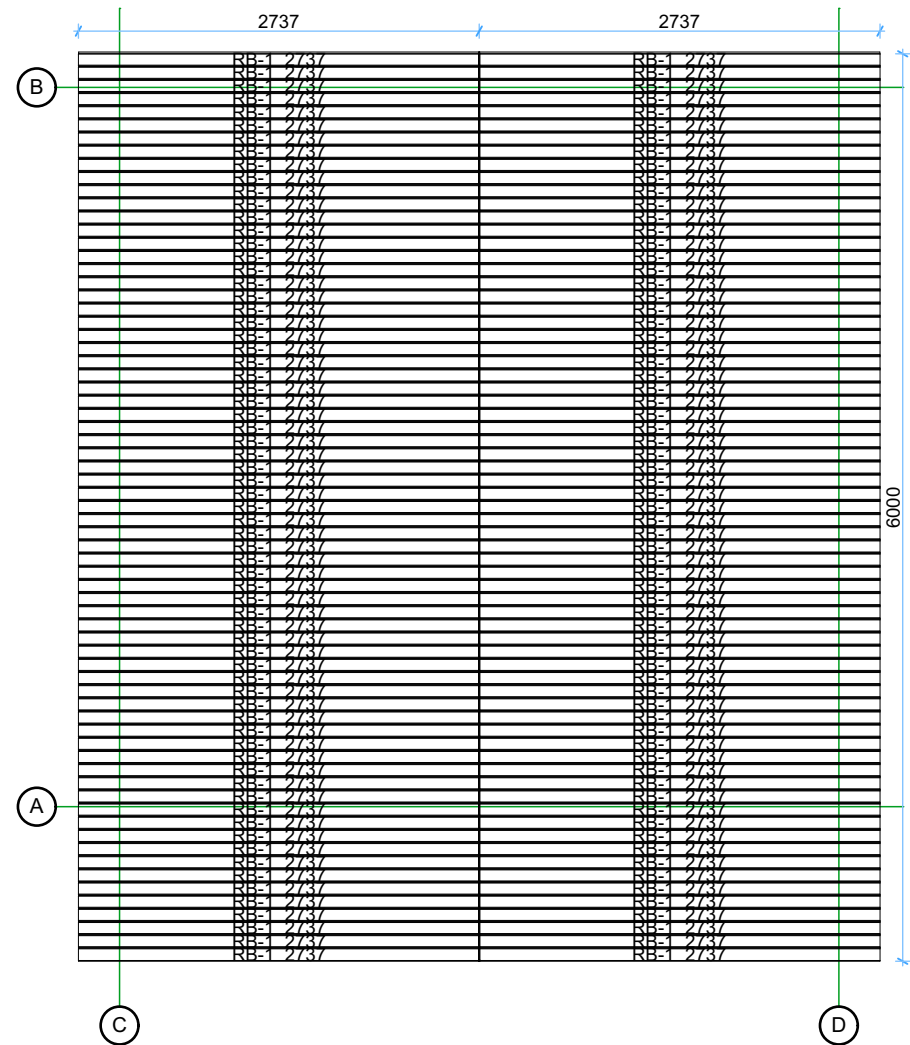
Ground floor plan

1:50



Roof boards

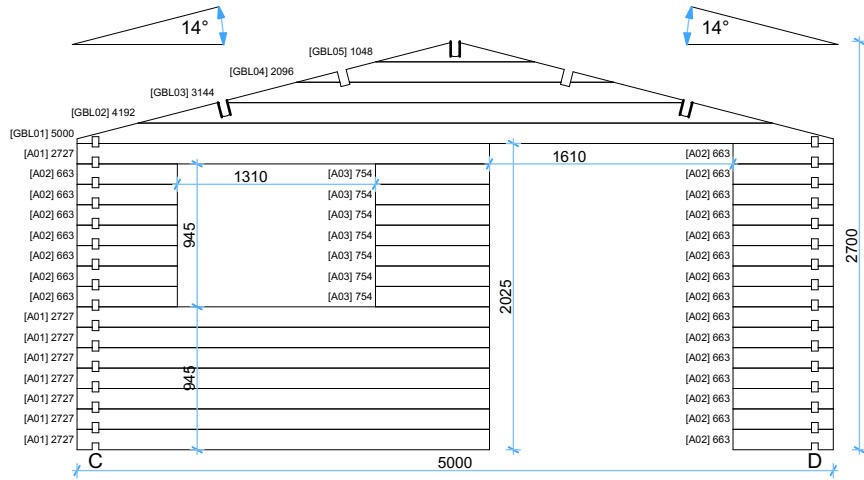
1:50



Thickness:	Project name:	Project ID:	Year:	Page:
44	Linus 5x5	v.1	2022	4

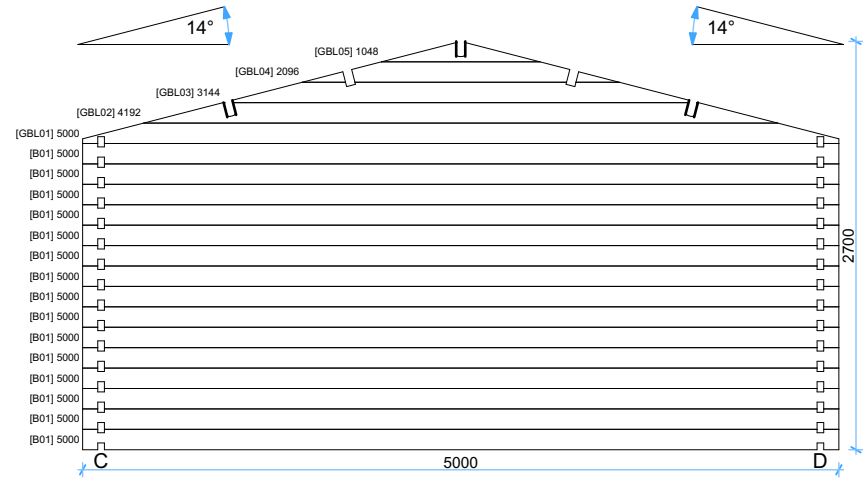
Wall A

1:50



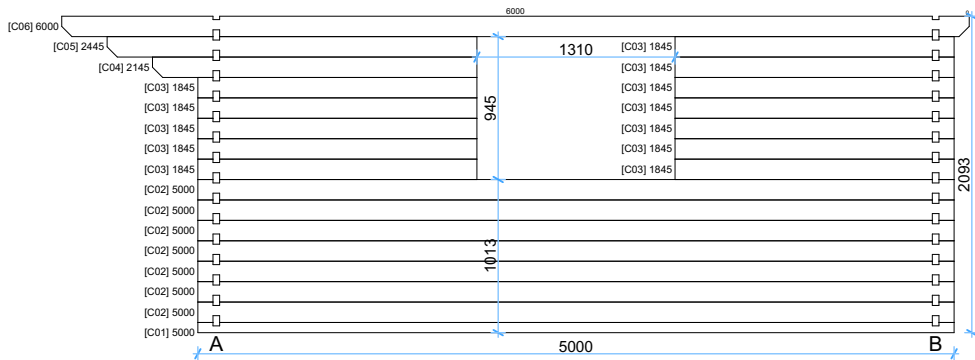
Wall B

1:50



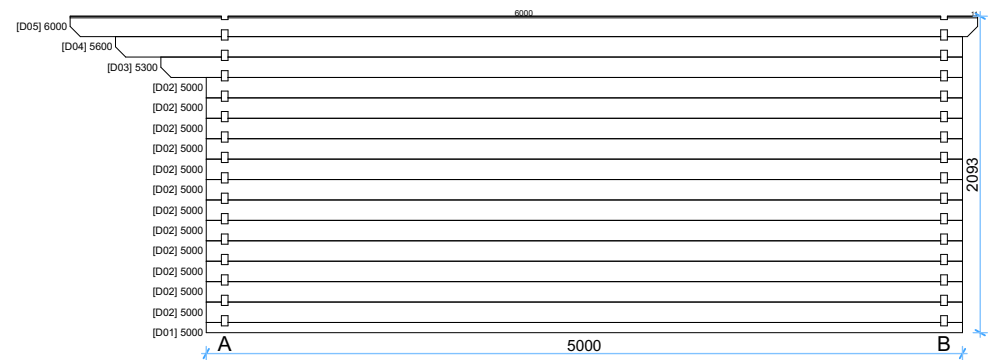
Wall C

1:50



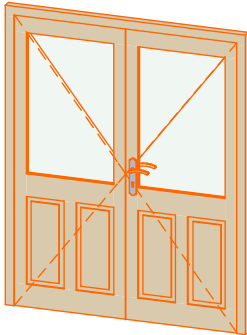
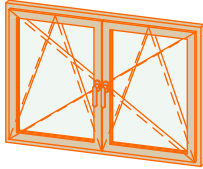
Wall D

1:50



Thickness:	Project name:	Project ID:	Year:	Page:
44	Linus 5x5	v.1	2022	5

Windows and doors list

Type-quality	Barcode	Wall Thickness	W x H Size	Orientation	Glazing	Quantity	3D Axonometry
Door - Premium	PP198160-2	44	1600×1980	R	50% glass, double glazed	1	
Window - Premium	PP92130	44	1300×920		Double glazed	2	

Thickness:	Project name:	Project ID:	Year:	Page:
44	Linus 5x5	v.1	2022	6