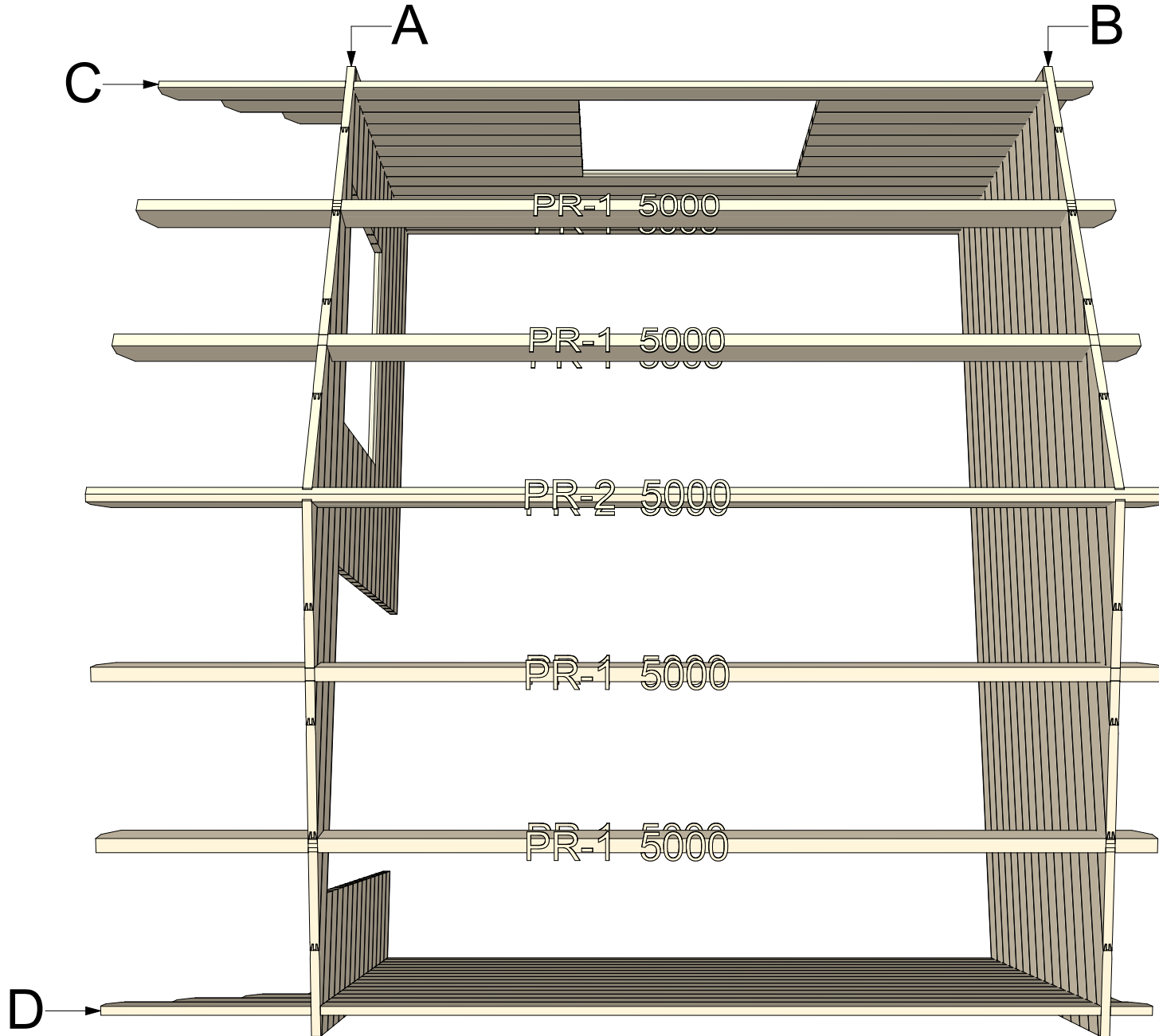




44 Linus 5x4 v.2

Walls and purlins positions



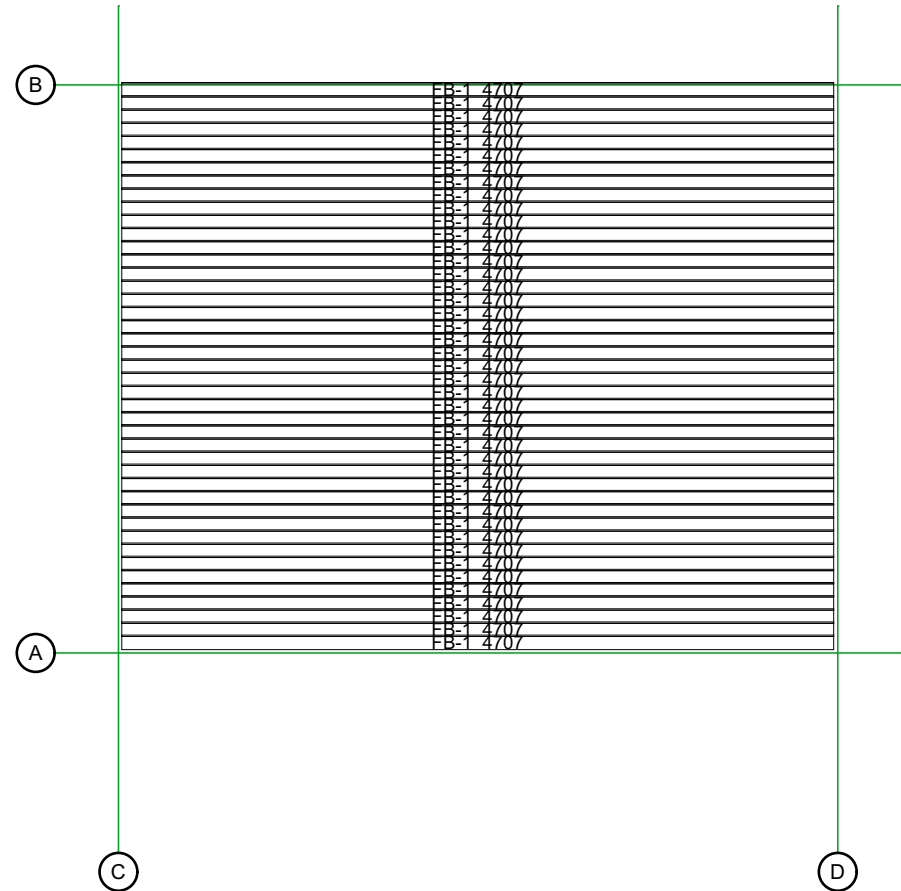
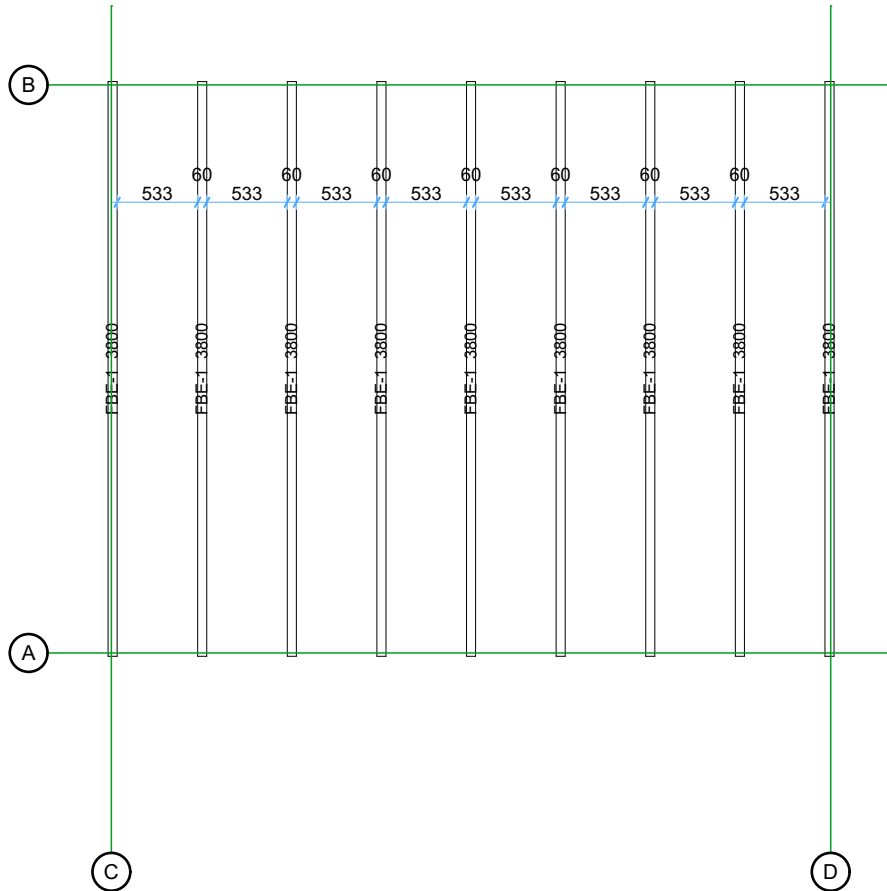
Thickness:	Project name:	Project ID:	Year:	Page:
44	Linus 5x4	v.2	2022	2

Floor bearers

1:50

Floor boards

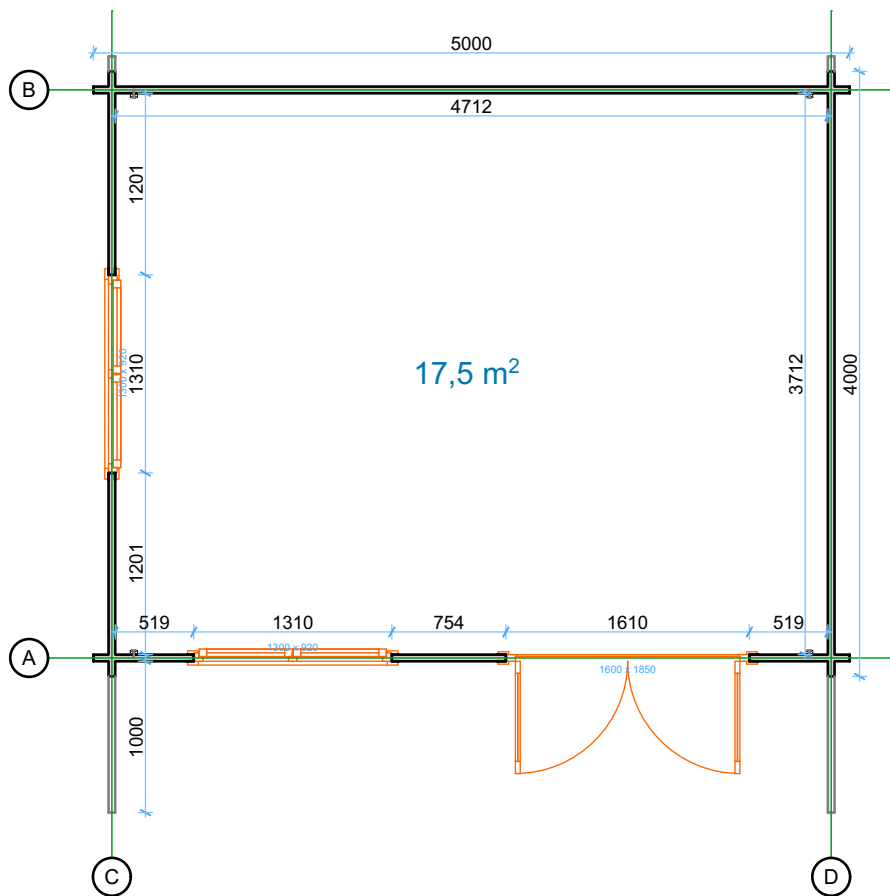
1:50



Thickness:	Project name:	Project ID:	Year:	Page:
44	Linus 5x4	v.2	2022	3

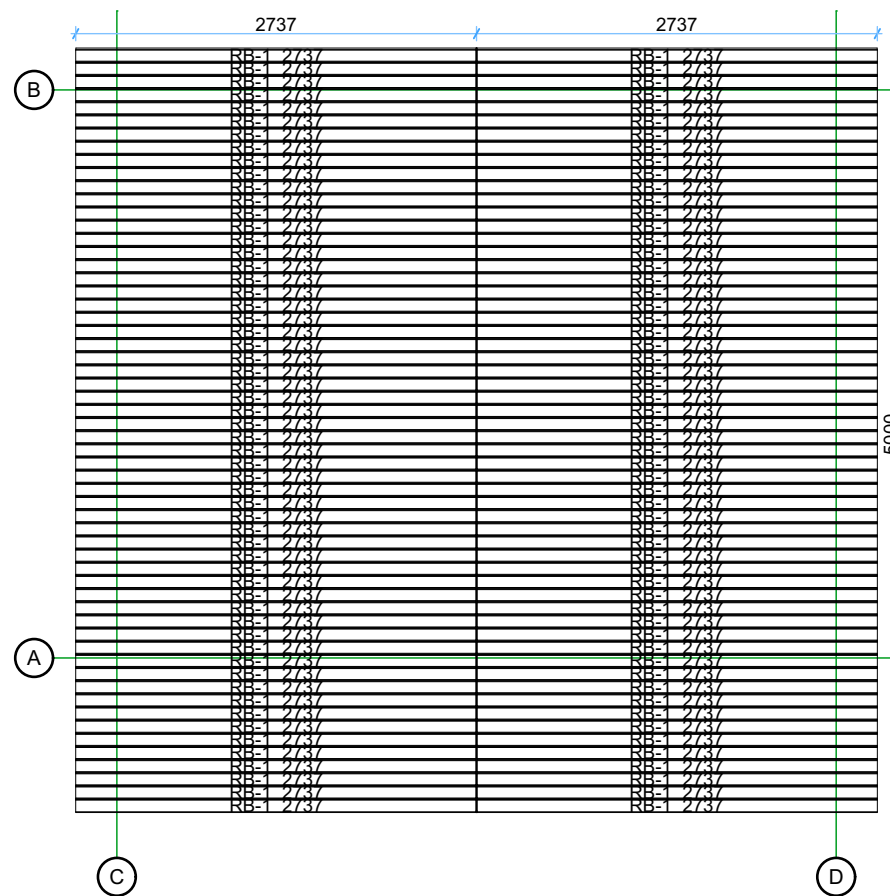
Ground floor plan

1:50



Roof boards

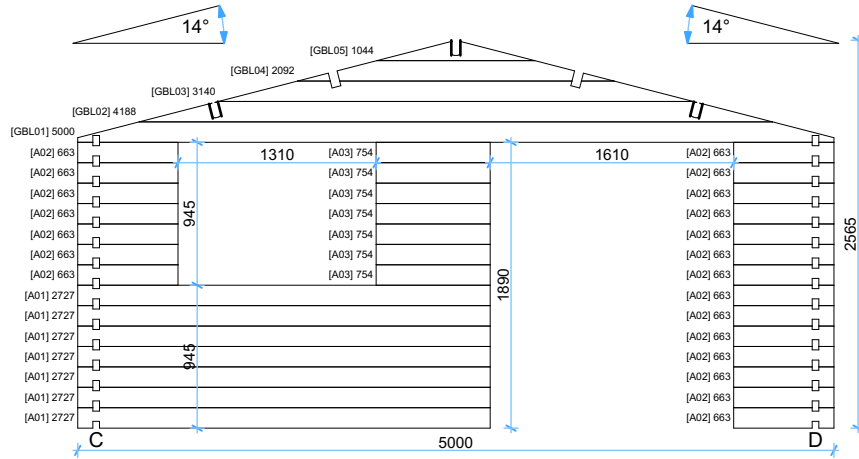
1:50



Thickness:	Project name:	Project ID:	Year:	Page:
44	Linus 5x4	v.2	2022	4

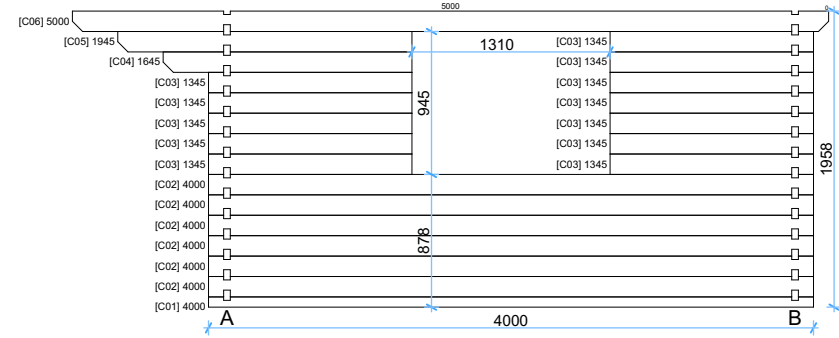
Wall A

1:50



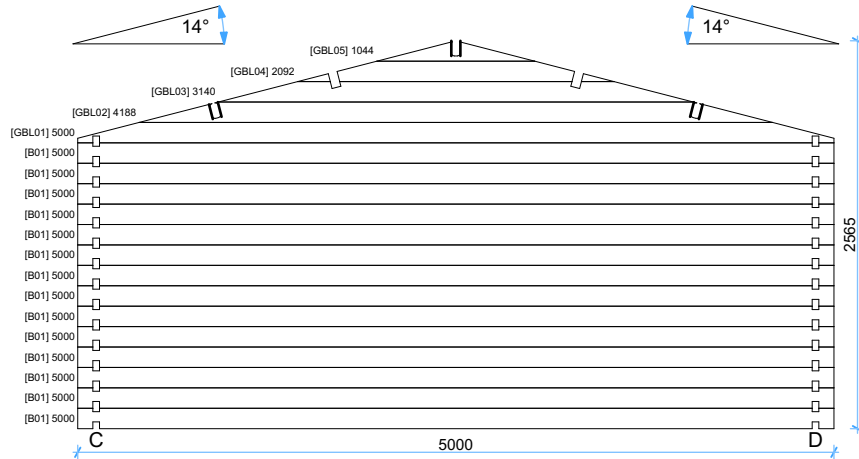
Wall C

1:50



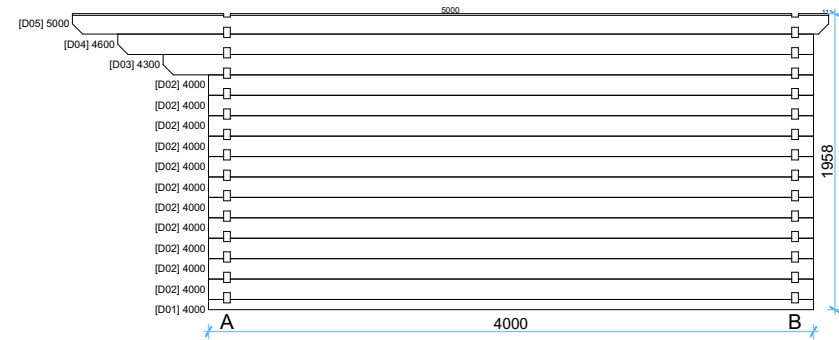
Wall B

1:50



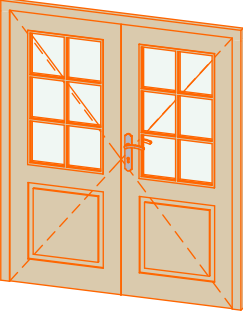
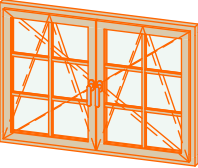
Wall D

1:50



Thickness:	Project name:	Project ID:	Year:	Page:
44	Linus 5x4	v.2	2022	5

Windows and doors list

Type-quality	Barcode	Wall Thickness	W x H Size	Orientation	Glazing	Quantity	3D Axonometry
Door - Economy	EP185160-2	44	1600×1850	R	50% glass, double glazed	1	
Window - Economy	EP92130	44	1300×920		Double glazed	2	

Thickness:	Project name:	Project ID:	Year:	Page:
44	Linus 5x4	v.2	2022	6