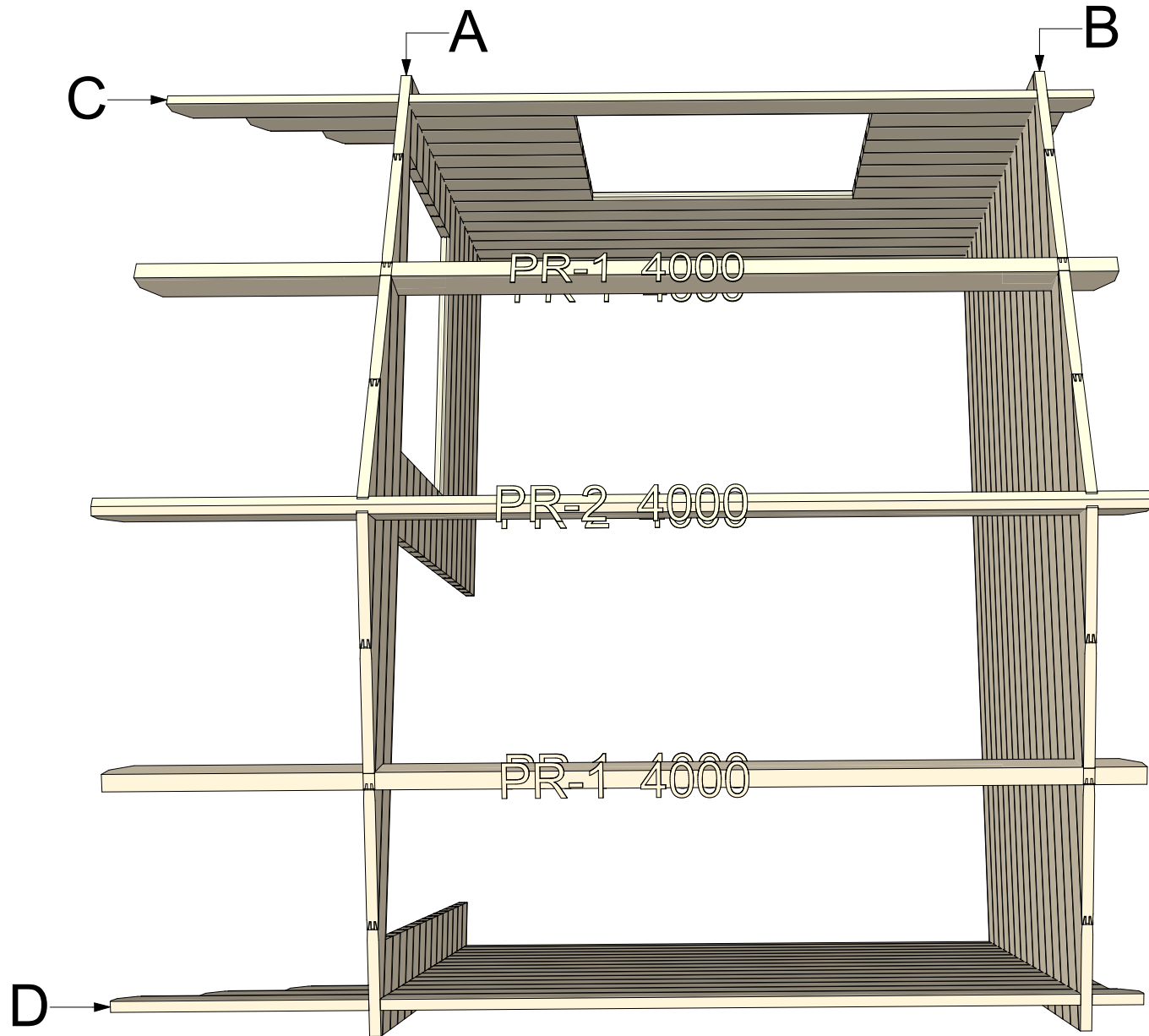




44 Linus 4x3 v.2

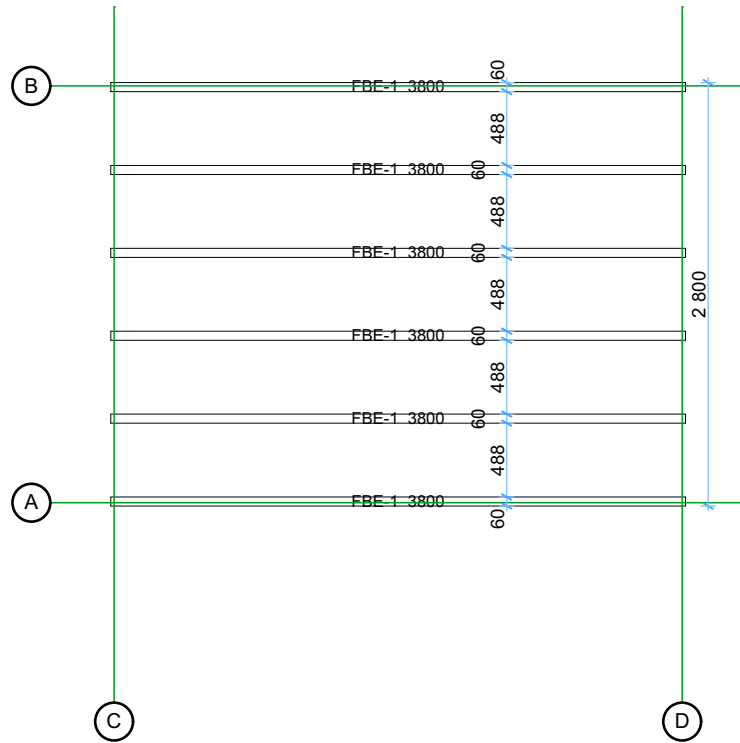
Walls and purlins positions



Thickness:	Project name:	Project ID:	Year:	Page:
44	Linus 4x3	v.2	2022	2

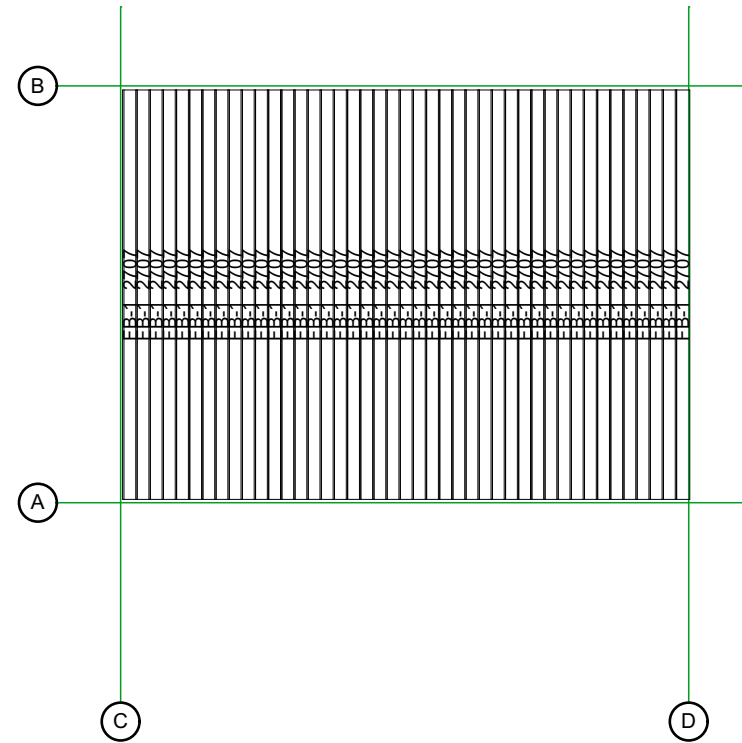
Floor bearers

1:50



Floor boards

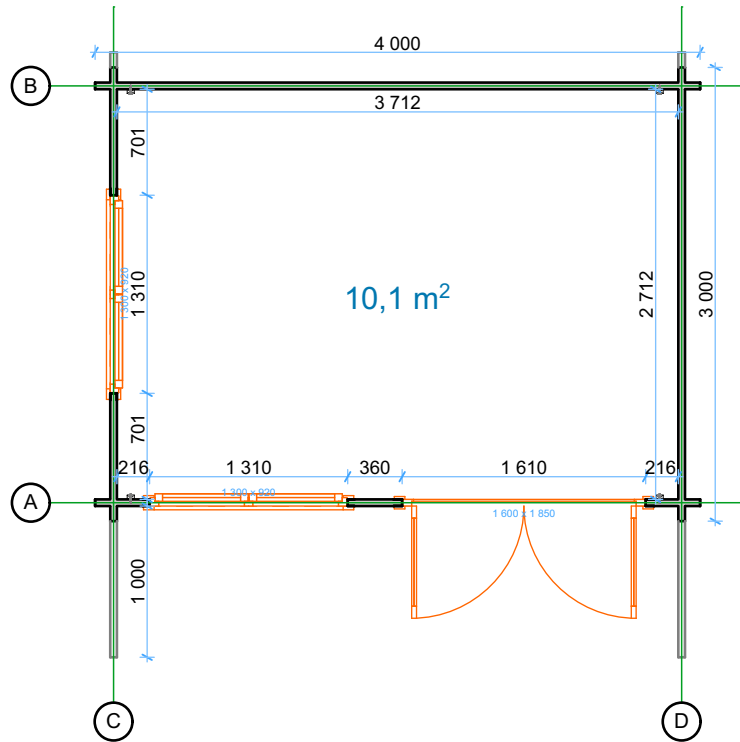
1:50



Thickness:	Project name:	Project ID:	Year:	Page:
44	Linus 4x3	v.2	2022	3

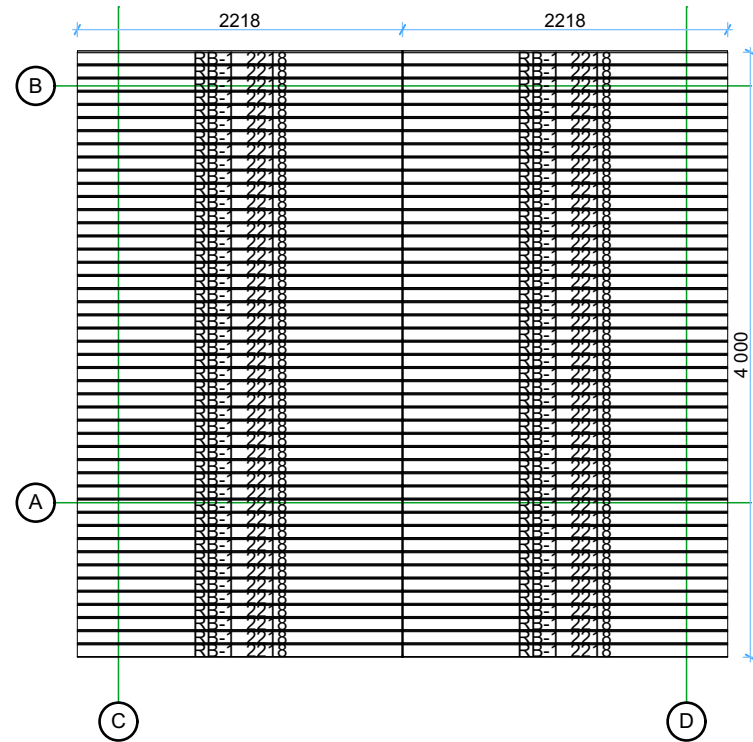
Ground floor plan

1:50



Roof boards

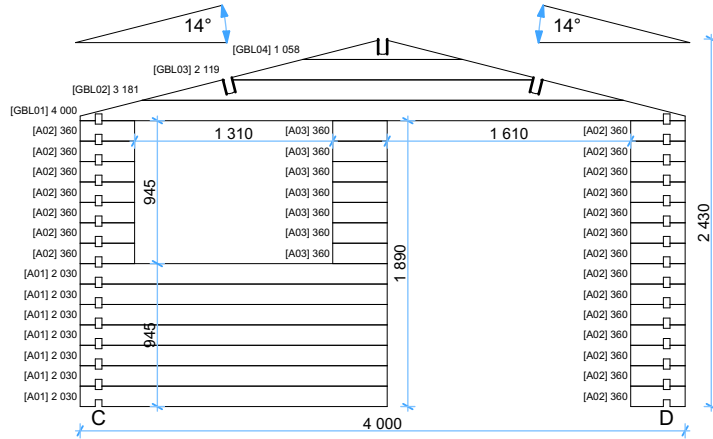
1:50



Thickness:	Project name:	Project ID:	Year:	Page:
44	Linus 4x3	v.2	2022	4

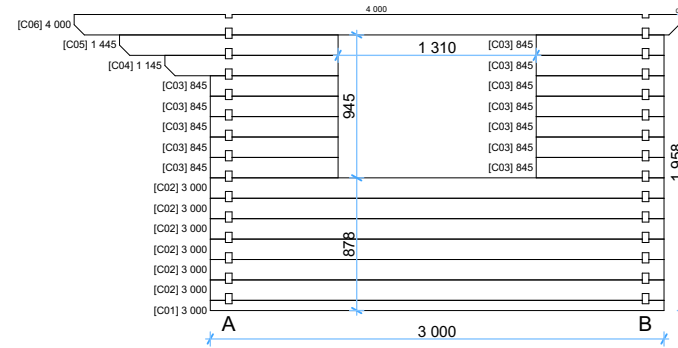
Wall A

1:50



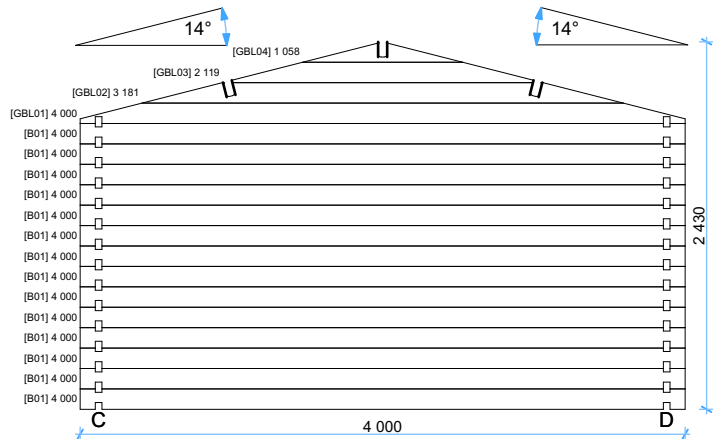
Wall C

1:50



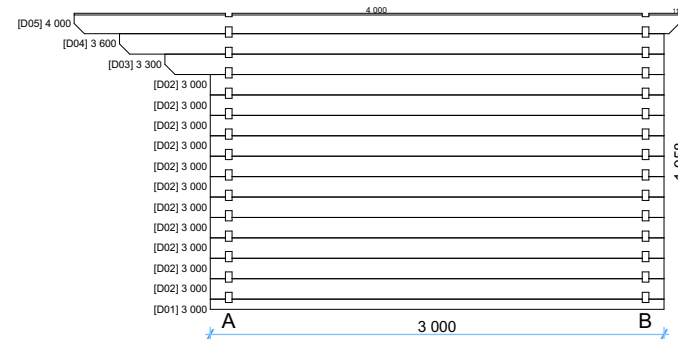
Wall B

1:50



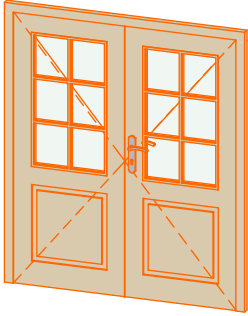
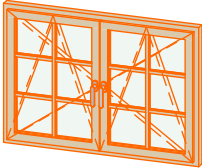
Wall D

1:50



Thickness:	Project name:	Project ID:	Year:	Page:
44	Linus 4x3	v.2	2022	5

Windows and doors list

Type-quality	Barcode	Wall Thickness	W x H Size	Orientation	Glazing	Quantity	3D Axonometry
Door - Economy	EP185160-2	44	1 600×1 850	R	50% glass, double glazed	1	
Window - Economy	EP92130	44	1 300×920		Double glazed	2	

Thickness:	Project name:	Project ID:	Year:	Page:
44	Linus 4x3	v.2	2022	6