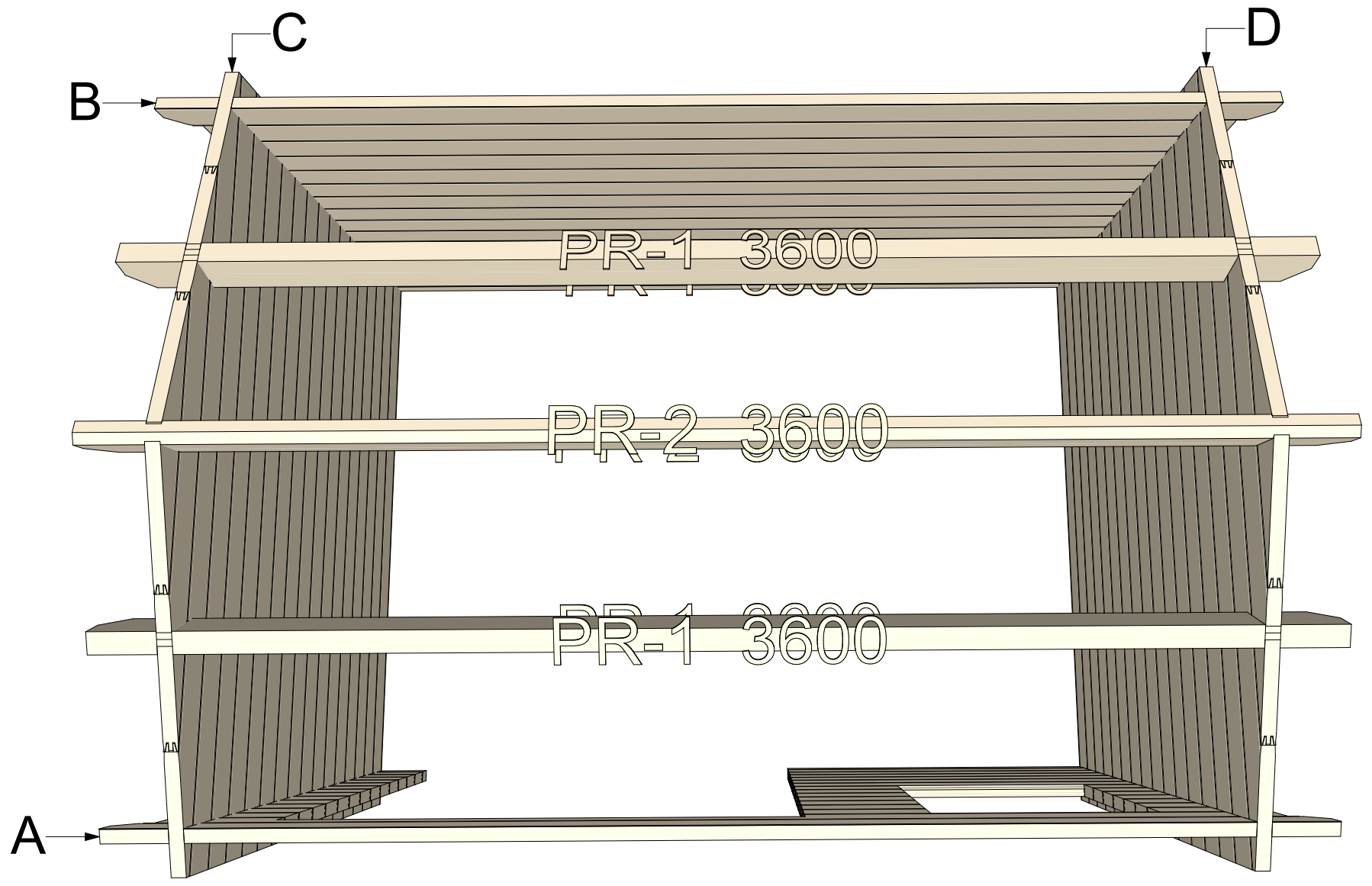




44 Erna 2,5x3,4 v.2

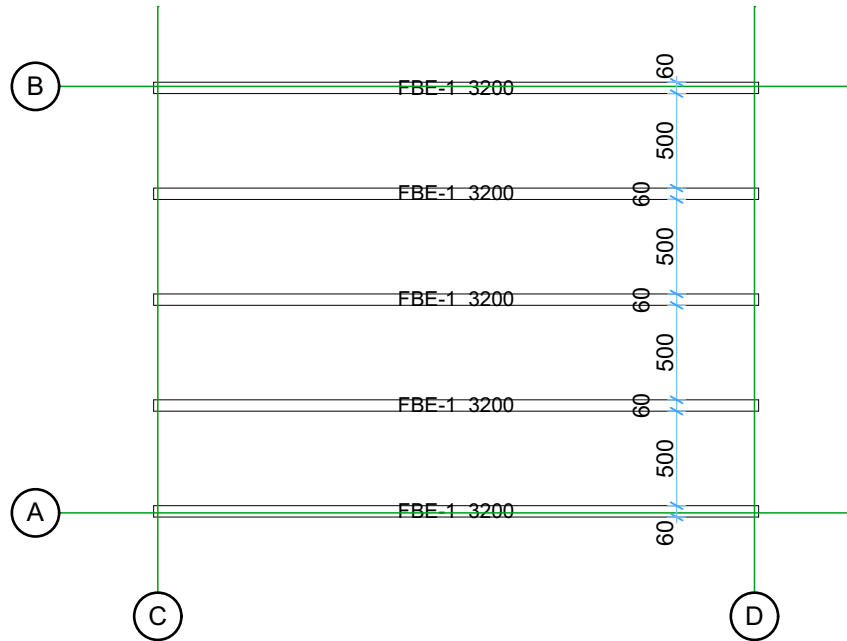
Walls and purlins positions



| Thickness: | Project name: | Project ID: | Year: | Page: |
|------------|---------------|-------------|-------|-------|
| 44 | Erna 2,5x3,4 | v.2 | 2022 | 2 |

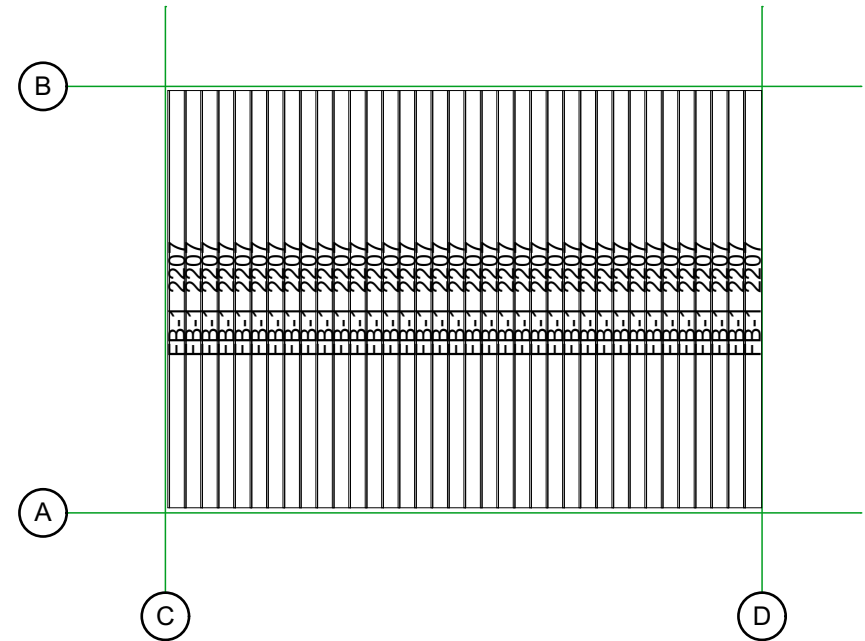
Floor bearers

1:40



Floor boards

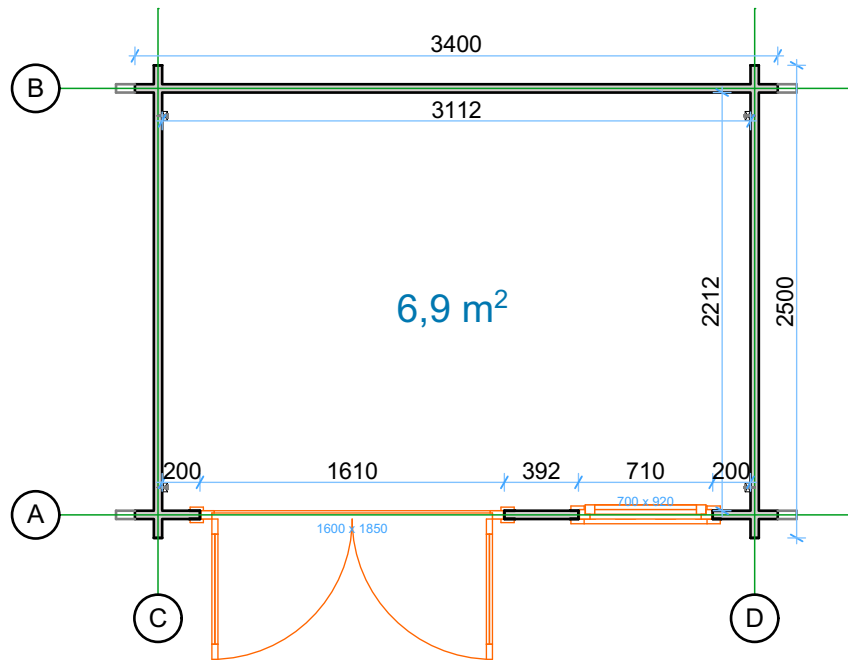
1:40



| Thickness: | Project name: | Project ID: | Year: | Page: |
|------------|---------------|-------------|-------|-------|
| 44 | Erna 2,5x3,4 | v.2 | 2022 | 3 |

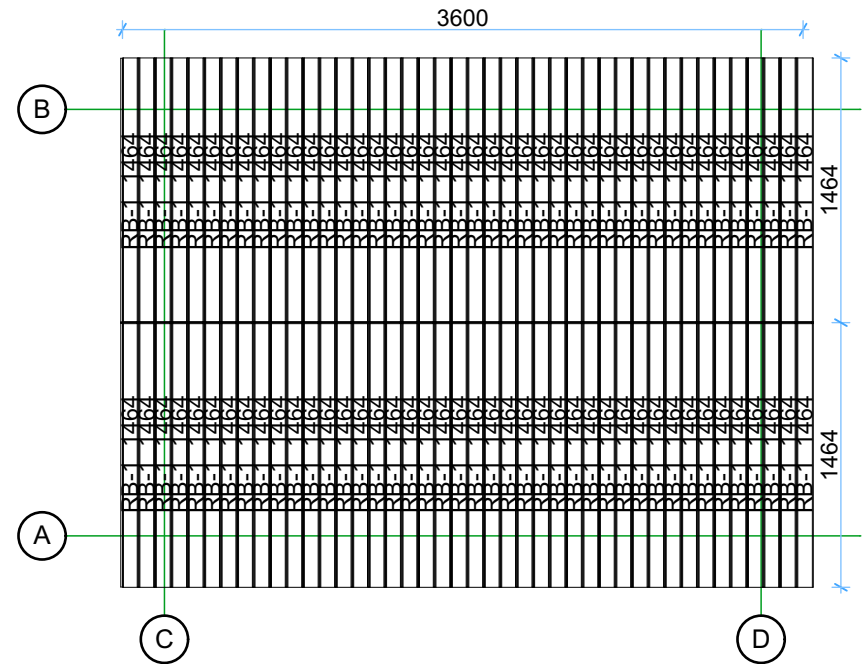
Ground floor plan

1:40



Roof boards

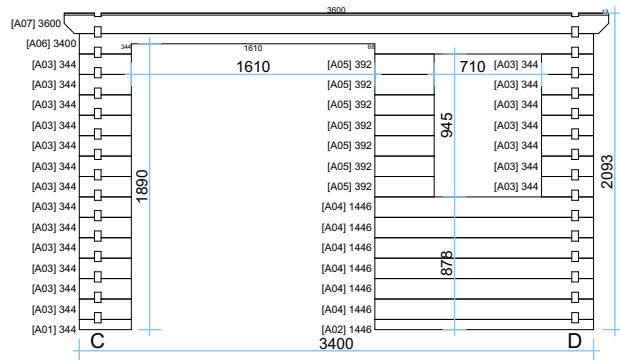
1:40



| Thickness: | Project name: | Project ID: | Year: | Page: |
|------------|---------------|-------------|-------|-------|
| 44 | Erna 2,5x3,4 | v.2 | 2022 | 4 |

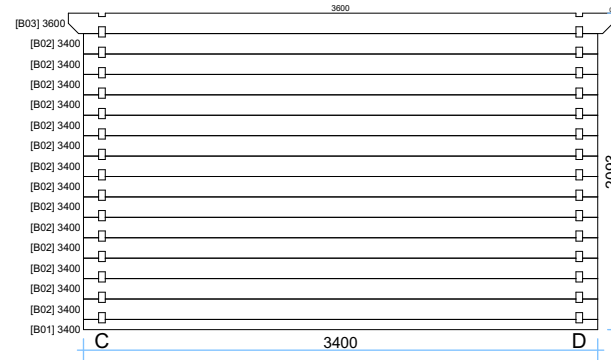
Wall A

1:50



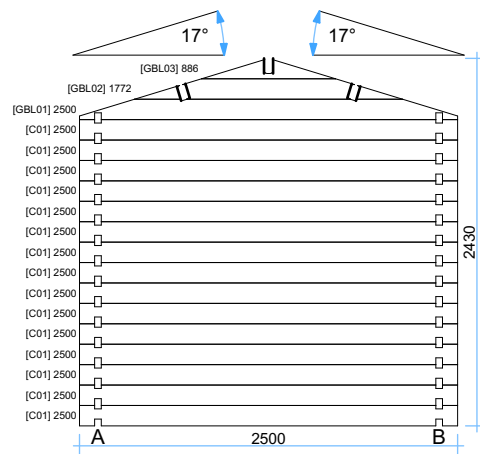
Wall B

1:50



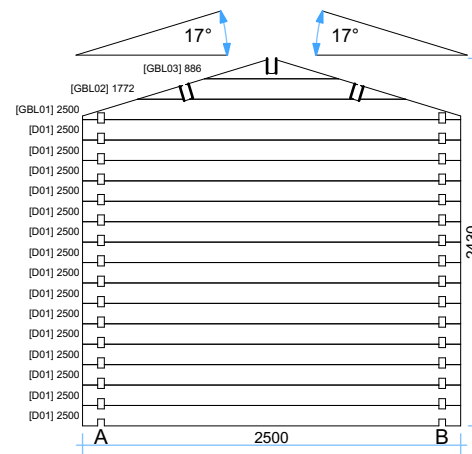
Wall C

1:50



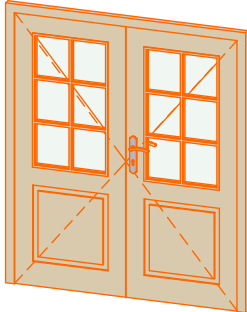

Wall D

1:50



| | | | | |
|------------|---------------|-------------|-------|-------|
| Thickness: | Project name: | Project ID: | Year: | Page: |
| 44 | Erna 2,5x3,4 | v.2 | 2022 | 5 |

Windows and doors list

| Type-quality | Barcode | Wall Thickness | W x H Size | Orientation | Glazing | Quantity | 3D Axonometry |
|------------------|------------|----------------|------------|-------------|--------------------------|----------|--|
| Door - Economy | EP185160-2 | 44 | 1600×1850 | R | 50% glass, double glazed | 1 |  |
| Window - Economy | EP9270 | 44 | 700×920 | L | Double glazed | 1 |  |

| | | | | |
|------------|---------------|-------------|-------|-------|
| Thickness: | Project name: | Project ID: | Year: | Page: |
| 44 | Erna 2,5x3,4 | v.2 | 2022 | 6 |