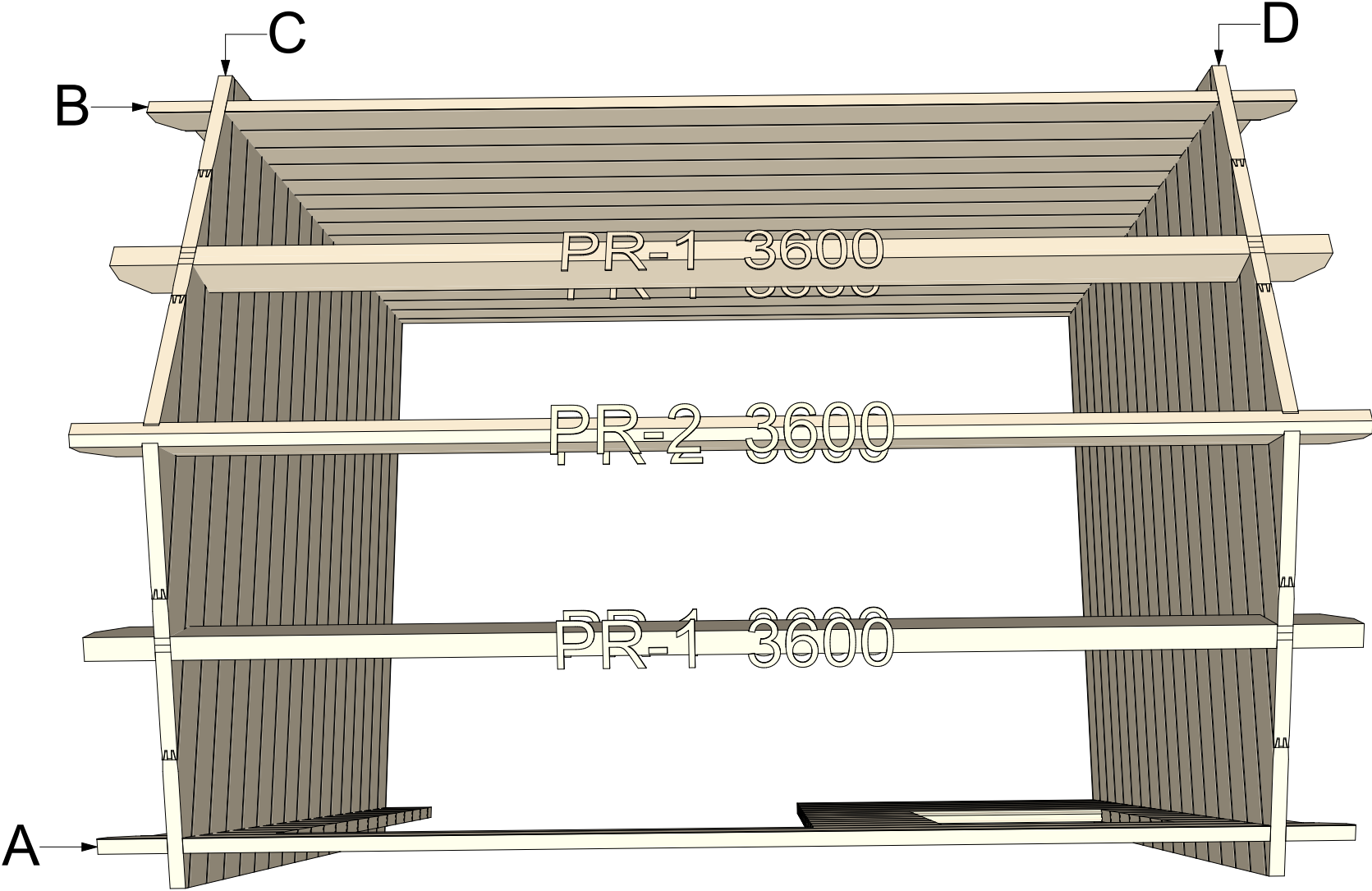




**44 Erna 2,5x3,4 v.1**

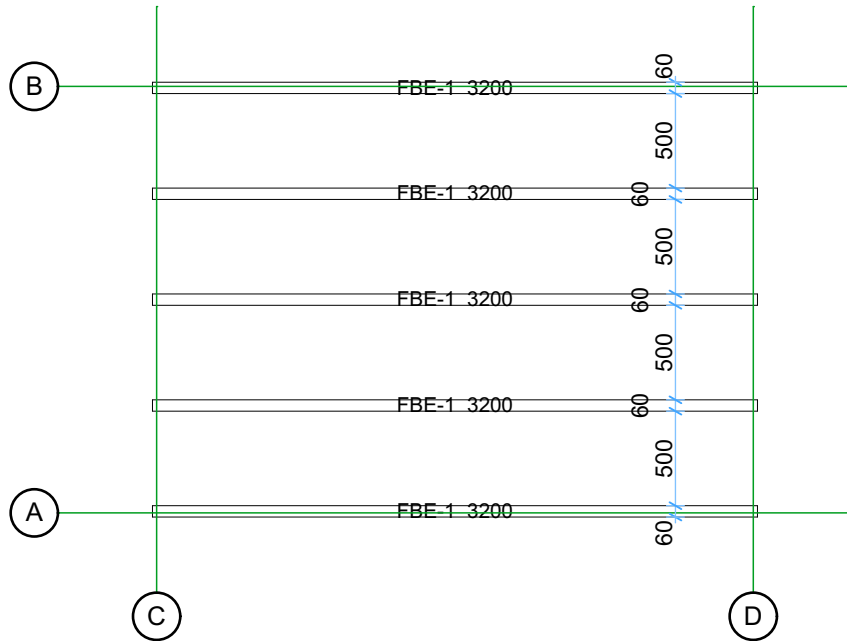
Walls and purlins positions



Thickness:	Project name:	Project ID:	Year:	Page:
44	Erna 2,5x3,4	v.1	2022	2

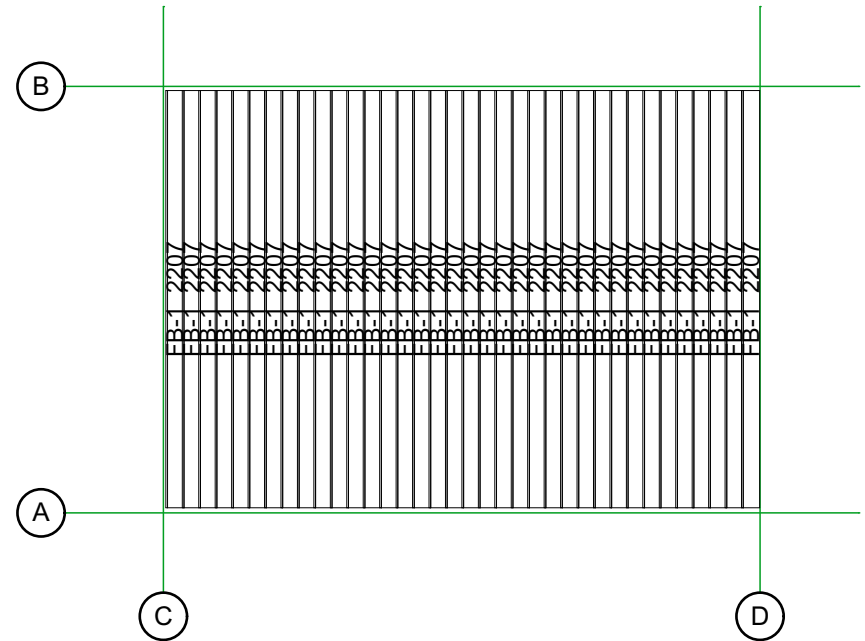
Floor bearers

1:40



Floor boards

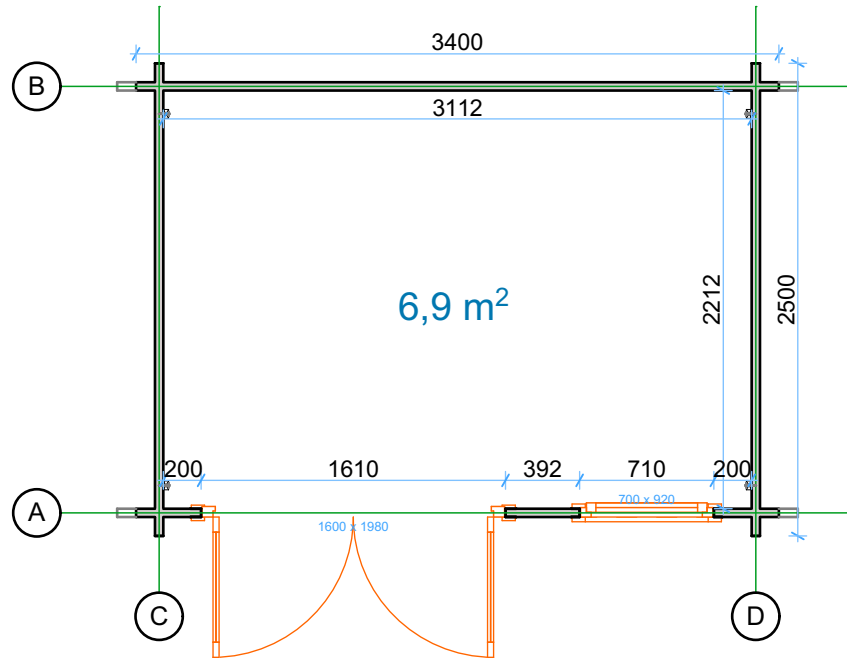
1:40



Thickness:	Project name:	Project ID:	Year:	Page:
44	Erna 2,5x3,4	v.1	2022	3

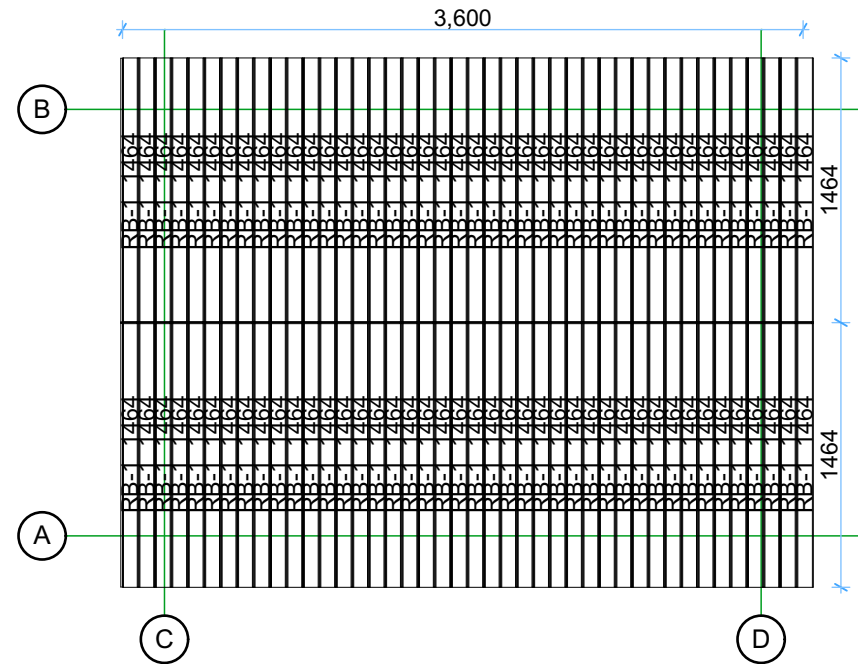
Ground floor plan

1:40



Roof boards

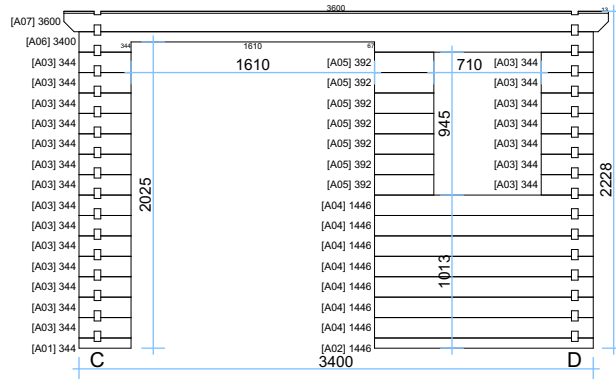
1:40



Thickness:	Project name:	Project ID:	Year:	Page:
44	Erna 2,5x3,4	v.1	2022	4

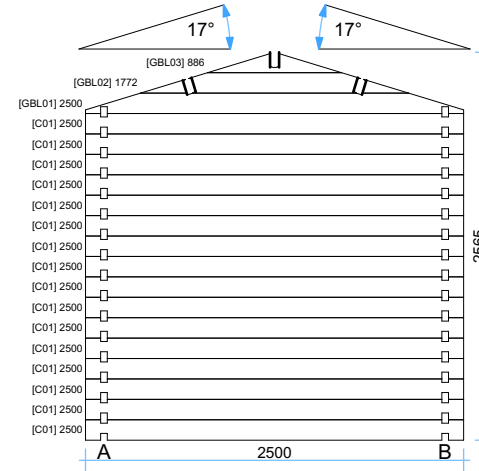
Wall A

1:50



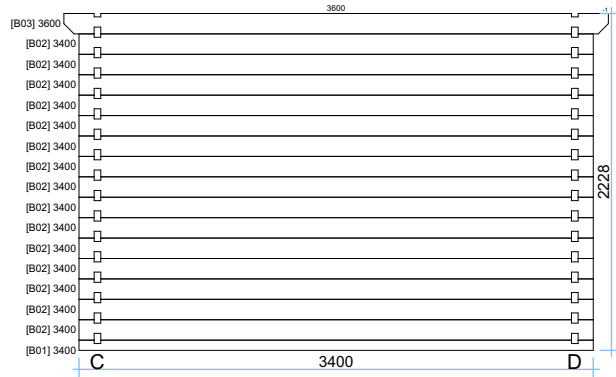
Wall C

1:50



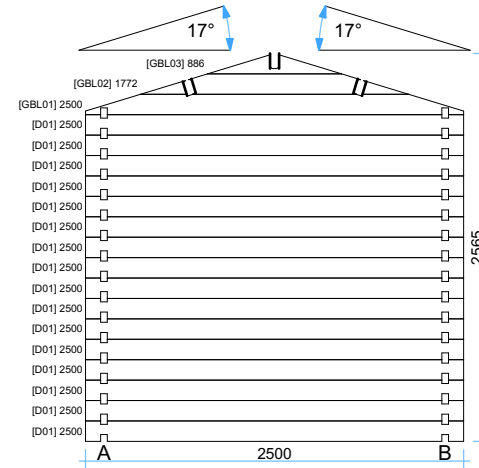
Wall B

1:50



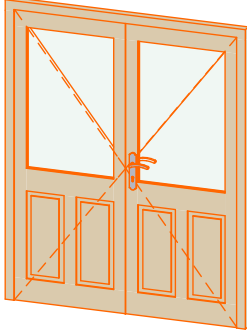
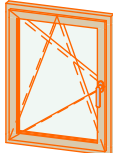
Wall D

1:50



Thickness:	Project name:	Project ID:	Year:	Page:
44	Erna 2,5x3,4	v.1	2022	5

**Windows and doors list**

Barcode	Type-quality	Wall Thickness	W x H Size	Orientation	Glazing	Quantity	3D Axonometry
PP198160-2	Door - Premium	44	1600×1980	R	50% glass, double glazed	1	
PP9270	Window - Premium	44	700×920	L	Double glazed	1	

Thickness:	Project name:	Project ID:	Year:	Page:
<b>44</b>	<b>Erna 2,5x3,4</b>	<b>v.1</b>	<b>2022</b>	<b>6</b>