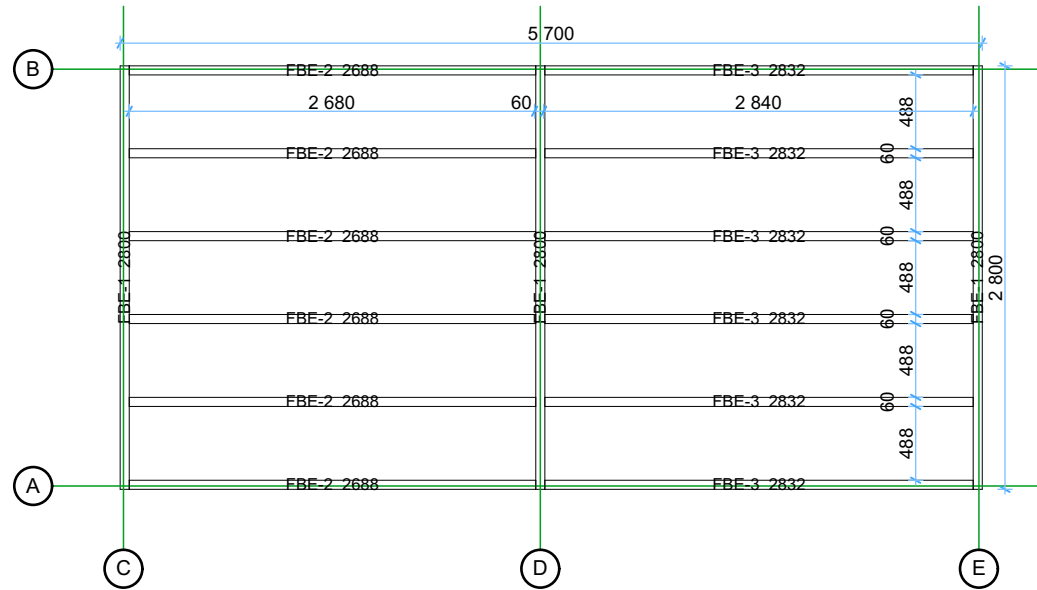




**44 Elise 3x5,9 v.1**

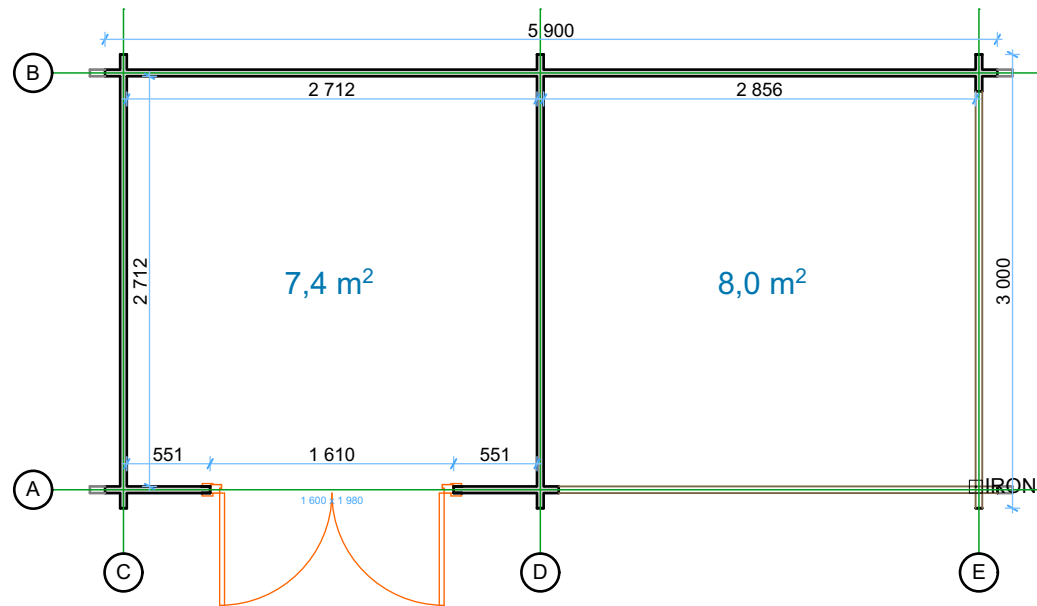
# Floor bearers

1:50



# Ground floor plan

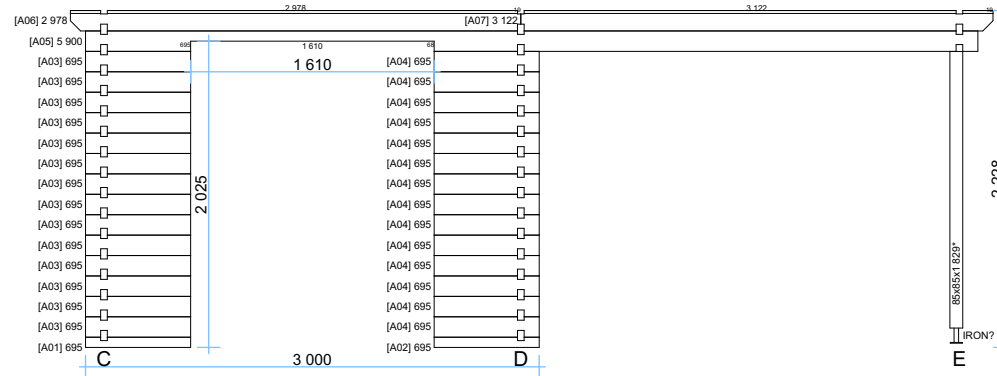
1:50



Thickness:	Project name:	Project ID:	Year:	Page:
44	Elise 3x5,9	v.1	2023	2

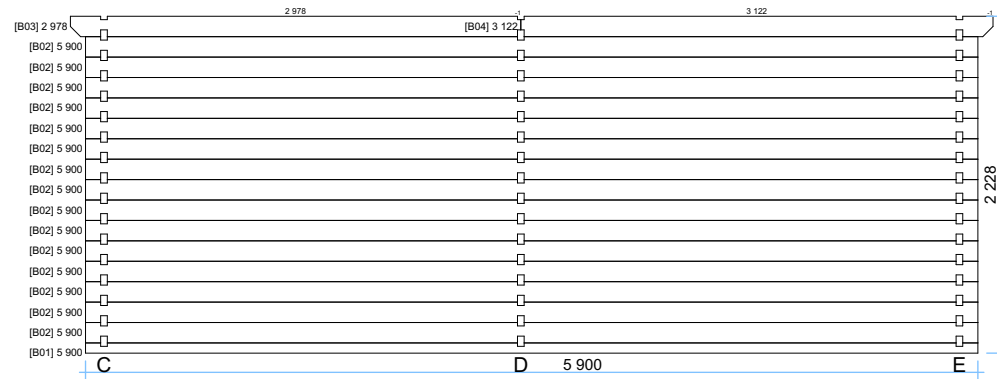
# Wall A

1:50



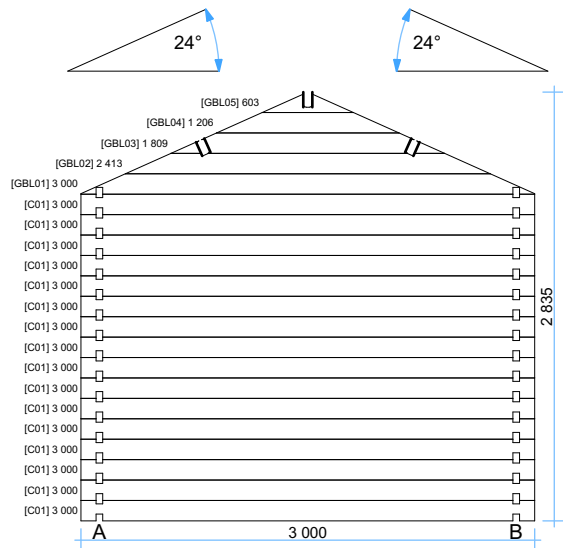
# Wall B

1:50

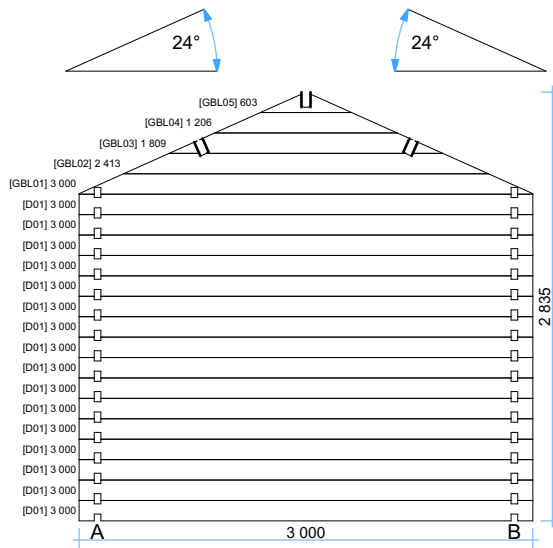


Thickness:	Project name:	Project ID:	Year:	Page:
44	Elise 3x5,9	v.1	2023	3

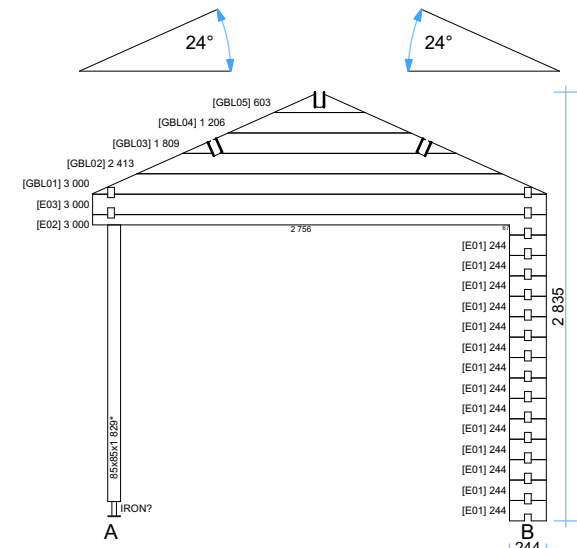
Wall C 1:50



Wall D 1:50

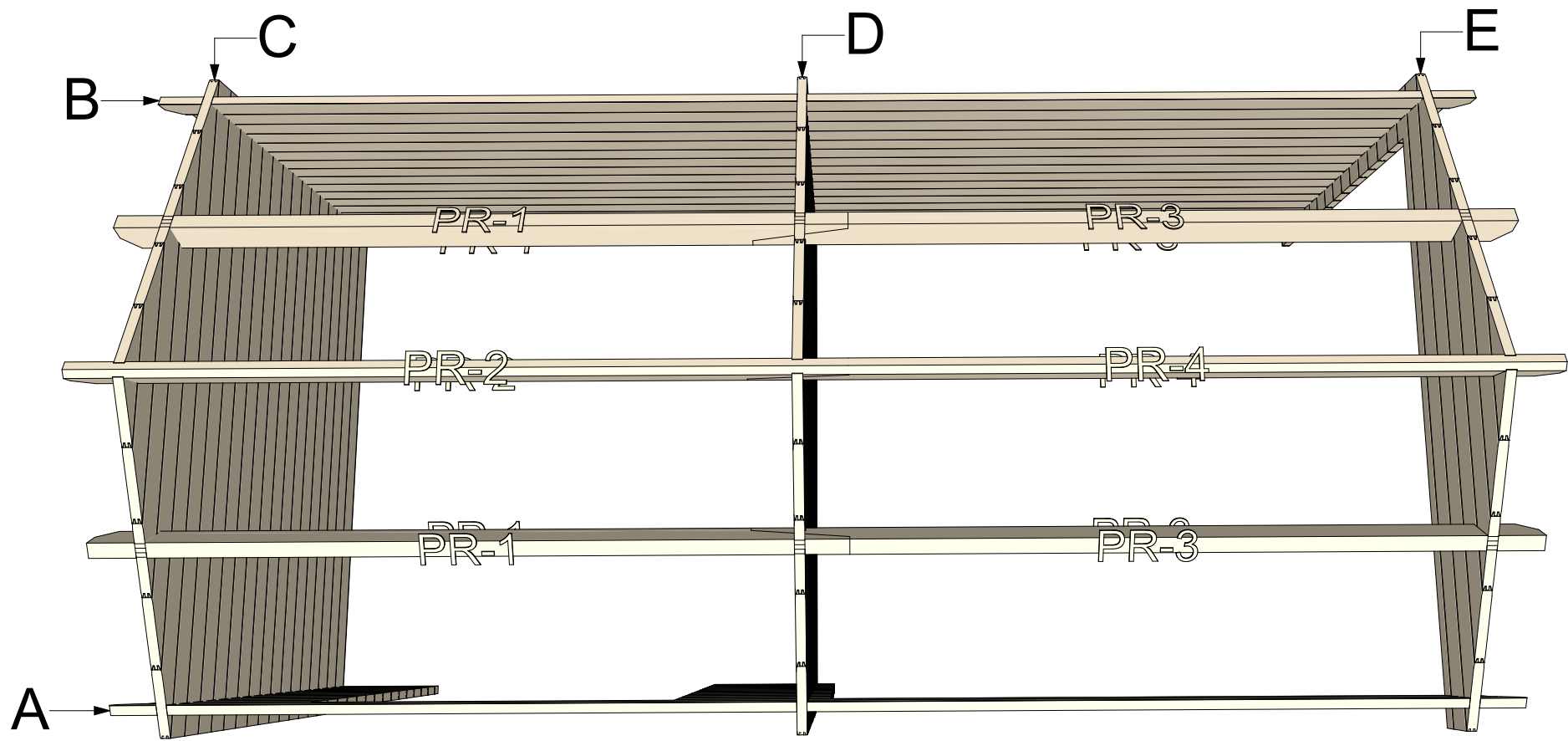


Wall E 1:50



Thickness:	Project name:	Project ID:	Year:	Page:
44	Elise 3x5,9	v.1	2023	4

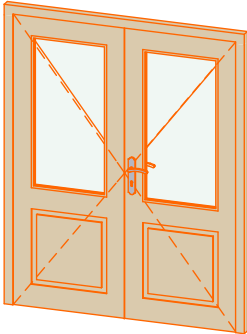
# Walls and purlins positions



Thickness:	Project name:	Project ID:	Year:	Page:
44	Elise 3x5,9	v.1	2023	5



**Windows and doors list**

<b>Barcode</b>	<b>Type-quality</b>	<b>Wall Thickness</b>	<b>W x H Size</b>	<b>Orientation</b>	<b>Glazing</b>	<b>Quantity</b>	<b>3D Axonometry</b>
PP198160-2	Door - Premium	44	1 600×1 980	R	50% glass, double glazed	1	

Thickness:	Project name:	Project ID:	Year:	Page:
<b>44</b>	<b>Elise 3x5,9</b>	<b>v.1</b>	<b>2023</b>	<b>7</b>